

# Mirror Mount

2024 V1



# Mirror Mount Contents

## Optical Cage System

### 02 Kinematic Mirror Mount

- 02 SUS Series Stainless Steel Kinematic Mirror Mounts
- 04 AUS Series Kinematic Mirror Mounts
- 06 NMHS Series Kinematic Mirror Mounts
- 09 NRAM Series Right-Angle Kinematic Mirror Mounts
- 11 NMM Series Kinematic Mirror Mount
- 14 NMC Series Center Kinematic Mirror Mounts
- 16 NMV Series Vertical Drive Kinematic Mirror Mount
- 18 NMVG Series Top Adjust Gimbal Mirror Mounts
- 20 NMGC Series Eccentric Kinematic Mirror Mounts
- 23 OMUS Series Stainless Steel Kinematic Mirror Mount
- 27 OMHS General Purpose Kinematic Mirror Mount
- 32 NBS Series Periscopes
- 33 BS Series Laser Beam Periscope
- 34 OMMB Series Coplanar Kinematic Mirror Mounts
- 35 NMUM Series Five-Axis Kinematic Mirror Mounts
- 37 MAD Series Kinematic Mirror Adaptor

### 40 Laser Mount

- 40 LM Series Laser Mount
- 42 MM Series Small Industrial Kinematic Mount

### 43 Kinematic Lens Mount

- 43 NL Series Kinematic Lens Mount
- 45 NLB Series Lens Mount
- 46 OMLS Series Self-Centering Lens Mount
- 47 OMLH Series Lens Mount
- 48 OMLH-Z Series Optical Mount for Cylindrical Lens

### 49 Kinematic Mount for Polarization Components

- 49 NMPO Series Kinematic Mount for Polarization Components

### 52 Filter Wheel and Filter Mount

- 52 NF Series Filter Mount
- 53 NFH Series Filter Mount
- 54 OMMB-NDFC50 Series Gradient ND Filter Wheel
- 55 MFW Series Filter Wheel

### 56 Prism/Cylinder Kinematic Mount

- 56 NPMV Series Prism Kinematic Mounts
- 58 OMHS-PM Series Prism Kinematic Mount
- 59 NPM Series Prism Kinematic Mount
- 60 NCM Series V Clamp Kinematic Mount
- 61 NCC Series V Clamp Kinematic Mount
- 62 PHLM Series Cylinder Laser Tube Kinematic Mount

### 63 Special Kinematic Mount

- 63 NMHS Series Special Kinematic Mount
- 65 OMHS Series Special Kinematic Mount
- 66 OMxA Multi-Axis Kinematic Mount
- 68 MAD-M22 Series Adaptors for OMxA Kinematic Mounts
- 69 NMDM Series Large Kinematic Mounts

### 71 Spatial Filter

- 71 NASF Series Spatial Filter
- 73 NASF-GD Series Mount For Pin-hole Diaphragm
- 74 APAS Series One-Way Micrometer Adjustable Optical Slits
- 75 APID Series Adjustable Iris Diaphragms
- 76 Holder for APID Iris Diaphragms
- 78 NOS Series Optics Pack Switches
- 79 ABC Series Beam Dumps

### 80 Post and Post Holder

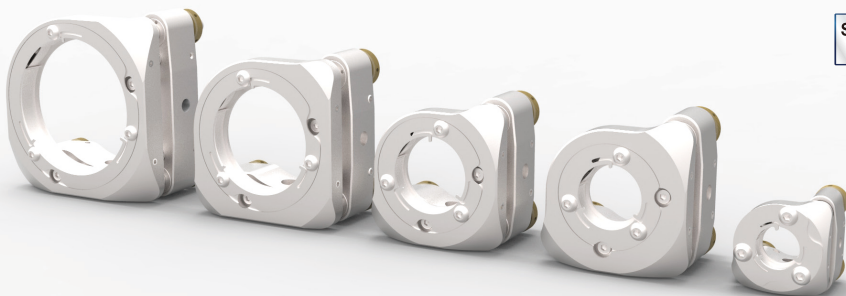
- 80 PHK Series Post and Post Holder Package
- 81 Ø6mm Post and Post Holders
- 83 Ø12mm Post and Post Holders
- 87 Ø20mm Post and Post Holders
- 88 Ø25mm Post and Post Holders
- 90 Ø12.7mm Imperial Post and Post Holders
- 92 NPHR Series Mounting Columns
- 95 PHCP Series Crossing Post Clamp
- 96 PHUC Series Universal Post Clamps
- 96 PHTP Series Mirror Mount Seat
- 97 PHUP Series Universal Joint Bases

### 98 Accessories

- 98 DMH06 Series Adjustment Screws
- 99 NAFS Series Adjustment Screw
- 101 ACFS Series Adjustment Screw
- 103 RAOB Series Guideway
- 104 RACA Series Sliding Carriers
- 105 RAOB-M Series Miniature Optical Rail System
- 106 FHT Series Fixed Height Table
- 107 BP Series Base Plate
- 111 PHOB Series Right-Angle Brackets
- 113 NAT Series Alignment Disk
- 114 NAD Series Alignment Disk
- 115 Nxx Series Aluminum Protective Screens
- 116 LSOB Series Protective Screens
- 118 ACCA/ACCF Series Table Clamp
- 119 ACOA Series Adapter Rings
- 119 ACS Series Adapter Screws
- 120 SK Series Screw Kit and Tools

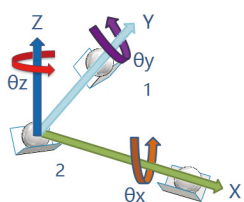
# Kinematic Mirror Mount

## SUS Series Stainless Steel Kinematic Mirror Mounts



### Description:

SUS series mirror mount is the ultimate solution designed by Zolix for cases requiring high stability for a long term, which is available in sizes for optics ranging from Ø1/2" to Ø2". By incorporating piezo screws, this mount achieves automation and precise nanoscale motion.



line-line-line structure

### Features:

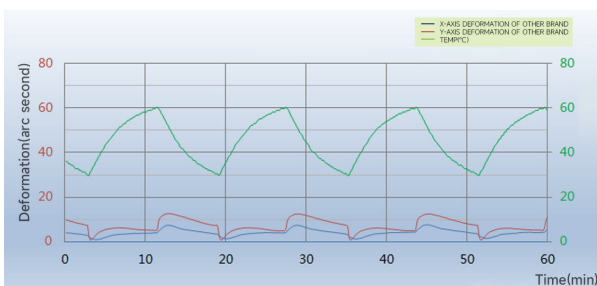
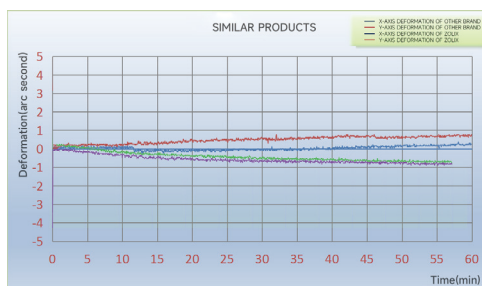
**High-Quality Materials:** The main body is SUS304 stainless steel, effectively reducing the thermal expansion coefficient and internal stress, thereby enhancing stability. Suitable for vacuum and high-power laser cavity applications.

**High stability:**

1. By adopting a superior line-line-line structure to replace the traditional point-line-surface structure, this mount offers significantly higher adjustment accuracy.
2. Thicker mounting plate provides better rigidity and stability.
3. The four-pull spring design boosts pulling force and ensures a more uniform distribution of force.

- **High Sensitivity:** Features three sets of 0.2mm pitch super-fine thread pairs for 3D adjustment, delivering highest sensitivity.
- **Dual Fixing Mechanism:** A specially designed elastic ring prevents lens deformation caused by locking screws or rigid fixing. Alternatively, the elastic ring can be removed, allowing the lens to be secured using the side elastic plate.
- **Dual Locking Method:** In addition to the locking mechanism on the thread pair, the front and rear plates feature locking threaded holes for better reliability.
- **Dual Adjustment:** thumb wheels or hexagon spanners.
- With M4 and M6 mounting holes.

### SUS series Stability Test Data:

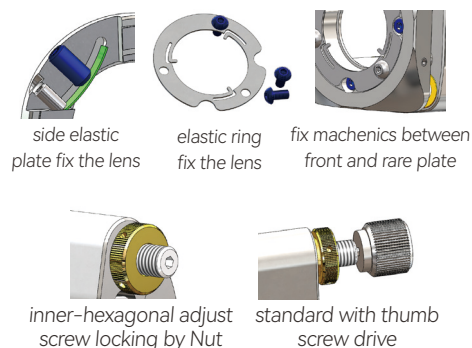


Note: above data is tested in laboratory, temperature 22±2°C

### Selection Table:

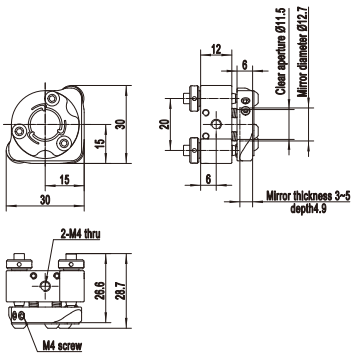
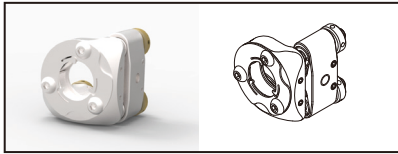
Model	SUS12.7	SUS20	SUS25.4	SUS38.1	SUS50.8
Optic Size (mm)	Ø12.5/ Ø12.7	Ø20	Ø25/Ø25.4	Ø38.1	Ø50/Ø50.8
Optics Thickness (mm)	3~5	3~6	3~6	3~6	4~8
Adjustment Angle Range (°)	±3				
Front Plate Translation (mm)	MAX6				
Clear Aperture (mm)	Ø11.5	Ø18.5	Ø24	Ø36.5	Ø48.5
Optic Center Height (mm)	15	25	25	30	35
Resolution: angular adjustment per revolution(°)	≈0.57	≈0.33	≈0.33	≈0.25	≈0.21
Main Body Material and Treatment	stainless steel with sandblasting passivation				
Thickness of The Fixed Plate(mm)	12	16			
Number of Pulling Spring	4				
Locking Mechanics	Yes	Yes, dual locking mechanisms			
Mounting Hole	M4	M6, Ø8sink hole			
Net Weight(g)	75	240	230	290	360

### Details display:

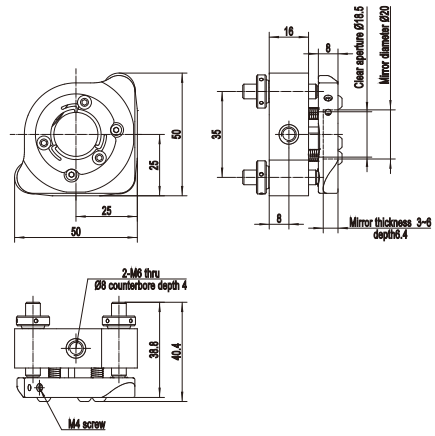
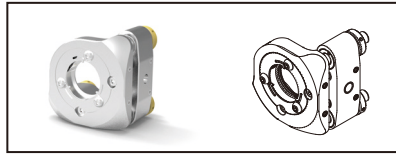


**Dimensions:**

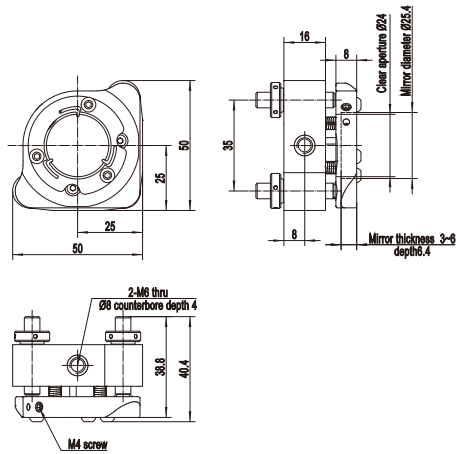
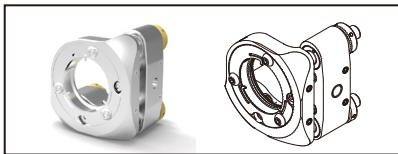
**SUS12.7**



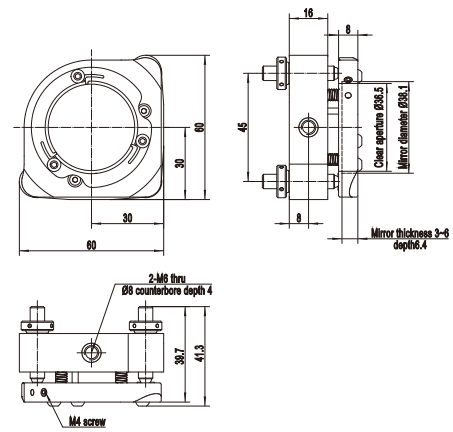
**SUS20**



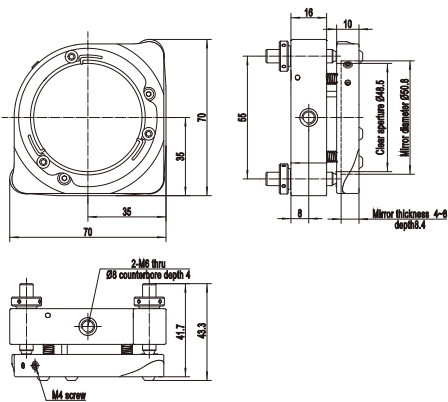
**SUS25.4**



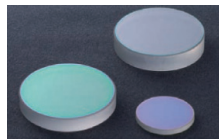
**SUS38.1**



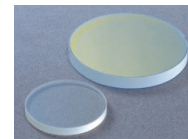
**SUS50.8**



**Related products:**



Mirrors with coating

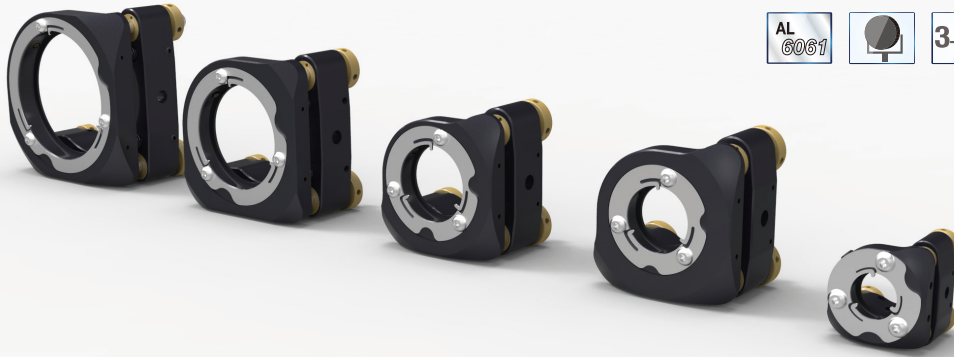


Beamsplitter



Connecting accessories

# AUS Series Kinematic Mirror Mounts

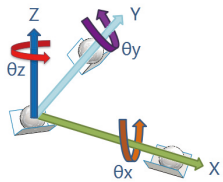


## Description:

AUS series kinematic mirror mounts, with high sensitivity and high stability, are general purpose new designed by Zolix.

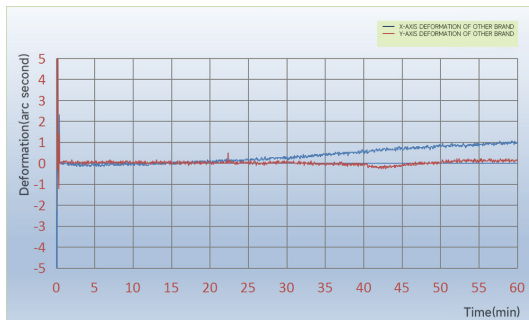
## Features:

- Premium aluminium alloy, with black anodic oxidation.
- By adopting a superior line-line-line structure to replace the traditional point-line-surface structure, this mount offers significantly higher adjustment accuracy.
- Thicker mounting plate provides better rigidity and stability.
- The four-pull spring design boosts pulling force and ensures a more uniform distribution of force.
- High Sensitivity: Features three sets of 0.2mm pitch super-fine thread pairs.
- Dual Fixing Mechanism: A specially designed elastic ring prevents lens deformation caused by locking screws or rigid fixing. Alternatively, the elastic ring can be removed, allowing the lens to be secured using the side elastic plate.
- Dual Locking Method: In addition to the locking mechanism on the thread pair, the front and rear plates feature locking threaded holes for better reliability.
- Dual Adjustment: thumb wheels or hexagon spanners.
- With M4 and M6 mounting holes.



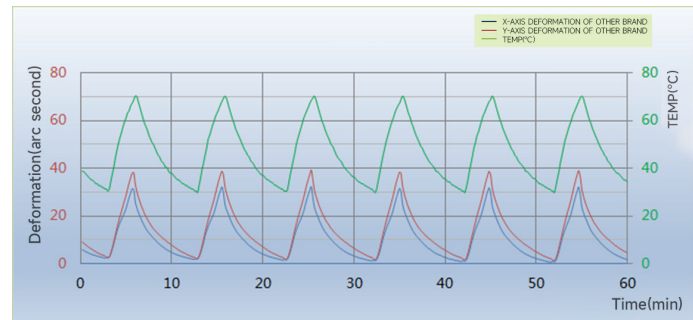
line-line-line structure

## AUS series stability curve /time



Note: above data is tested in laboratory, temperature  $22 \pm 2^\circ\text{C}$

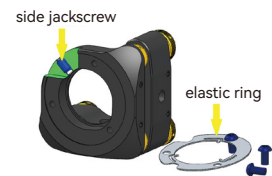
## AUS series test data stability /time/temperature



## Selection Table:

Model	AUS12.7	AUS20	AUS25.4	AUS38.1	AUS50.8
Optic Size(mm)	Ø12.5/ Ø12.7	Ø20	Ø25/Ø25.4	Ø38.1	Ø50/ Ø50.8
Optics Thickness(mm)	3~5	3~6	3~6	3~6	4~8
Adjustment Angle Range(°)	±3				
Front Plate Translation(mm)	MAX6				
Clear Aperture (mm)	Ø11.5	Ø18.5	Ø24	Ø36.5	Ø48.5
Optic Center Height (mm)	15	25	25	30	35
Resolution: angular adjustment per revolution(°)	≈0.57	≈0.33	≈0.33	≈0.25	≈0.21
Main Body Material and Treatment	aluminium alloy, surface treated by black anodic oxidation.				
Thickness of The Fixed Plate(mm)	12	16			
Number of Pulling Spring	4				
Locking Mechanics	Yes				
Mounting Hole	M4	M4 M6, Ø8 sink hole			
Net Weight(g)	42	132	130	144	180

## Details Display



locking screw and elastic ring dual fixing method



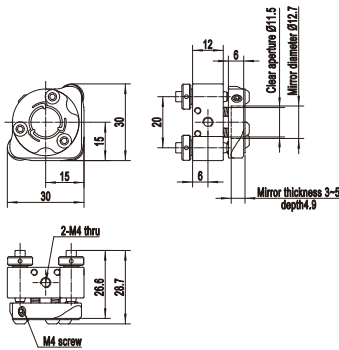
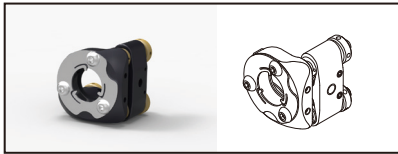
inner-hexagonal adjust screw locking by nut



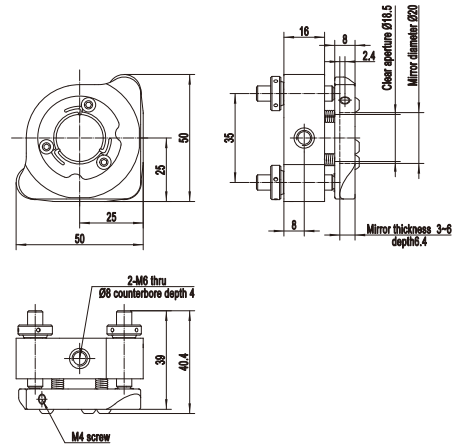
standard with thumb screw drive

**Dimensions:**

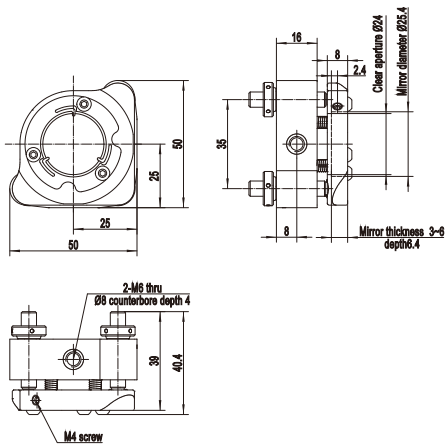
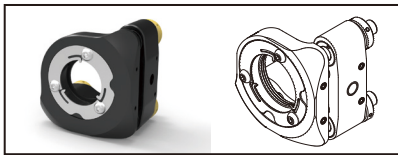
**AUS12.7**



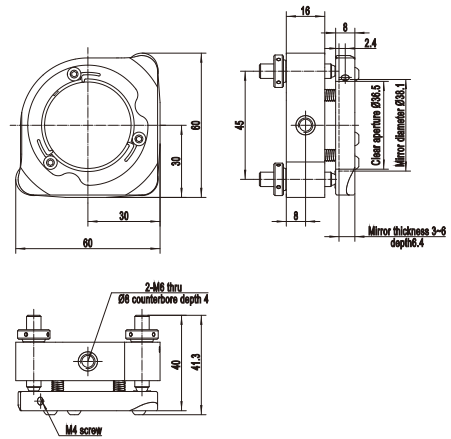
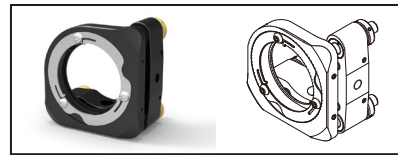
**AUS20**



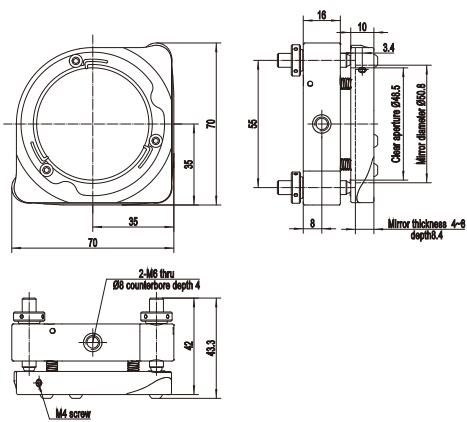
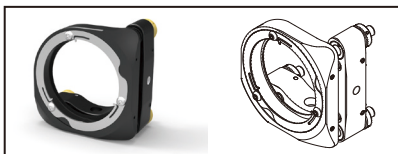
**AUS25.4**



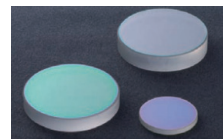
**AUS38.1**



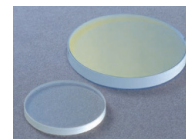
**AUS50.8**



**Related products:**



Mirrors with coating



Beamsplitter



Connecting Accessories

# NMHS Series Kinematic Mirror Mount



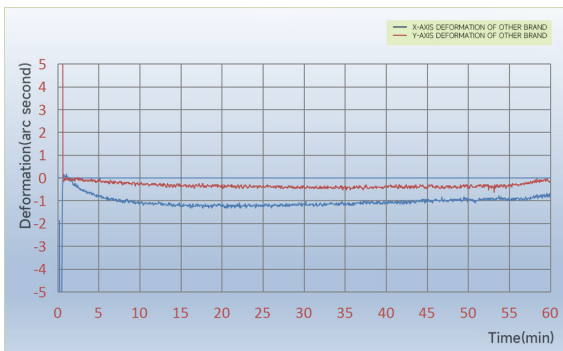
## Description:

NMHS series mirror mount is specially designed by Zolix with long-term manufacturing and application experience. Under the premise of ensuring the stability of the fixed plate, the fixing plate is more slight, simple and practical structure. It covers multiple sizes from Ø12.7 to Ø101.6mm, which can meet the use of most applications.

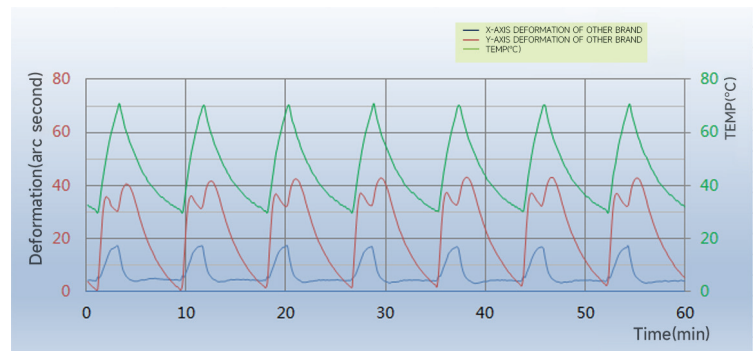
## Features:

- High-quality materials: The main body is made of high-quality aluminium alloy, and the surface treated by black anodic oxidation.
- Advanced structure:
  - ①Lightweight design, compact and durable
  - ②The design of four-pull spring enhances the pulling force and makes the distribution of the pulling force more uniform.
- High sensitivity: 3 pcs 0.2 mm pitch super-fine thread pairs for 3D adjustment, for higher sensitivity
- Dual adjustment method: Adjusting thread pair come with inner-hexagonal adjusting hole behind. Can coupled with standard thumb wheel or Inner hexagon spanner, for better adjustment sensitivity and also larger angle range.
- Universal mounting holes: M4, M6 screw holes

NMHS series stability curve /time



NMHS series stability curve /time/temperature



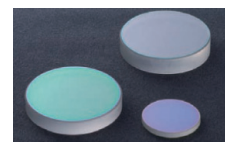
## Naming rule:

# NMHS 25.4

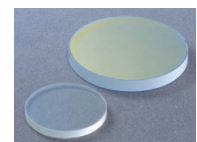
Series code:  
NMHS: Aluminum  
kinematic mirror mount

Installation Mirror OD:  
12.7:  $\phi$  12.7mm

## Related products:



Mirrors with coating



Beamsplitter



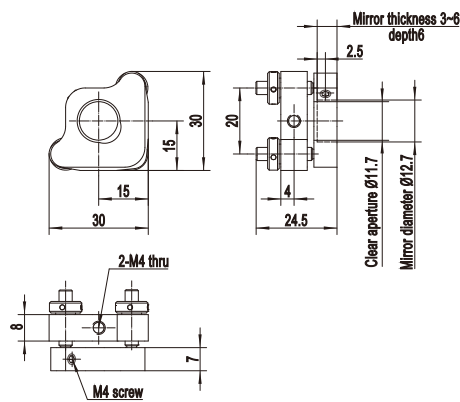
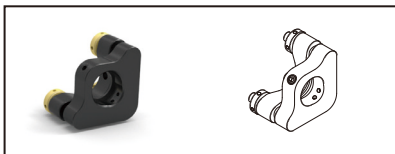
Connecting Accessories

**Selection table:**

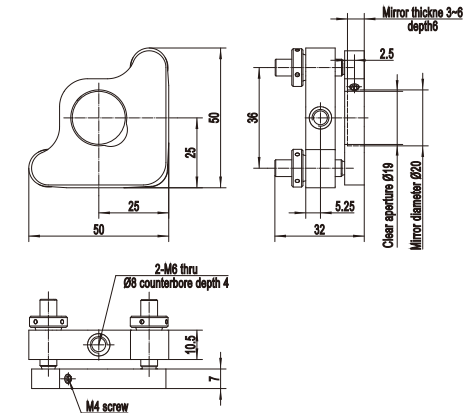
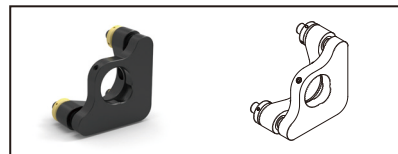
Model	NMHS12.7	NMHS20	NMHS25.4	NMHS30	NMHS38.1	NMHS50.8	NMHS76.2	NMHS101.6
Optic Size (mm)	Ø12.5/Ø12.7	Ø20	Ø25/Ø25.4	Ø30	Ø38.1	Ø50/Ø50.8	Ø76.2	Ø101.6
Optic Edge Thickness (mm)	3~6	3~6	3~6	3~6	3~6	4~10	5~12	5~12
Angular Range (°)	±3							
Clear Aperture (mm)	Ø11.7	Ø19	Ø24	Ø28	Ø36	Ø49	Ø72	Ø96
Optical Axis Height(mm)	15	25	25	25	30	35	50	70
Resolution: angular adjustment per revolution(°)	≈0.57	≈0.33	≈0.33	≈0.33	≈0.25	≈0.2	≈0.18	≈0.13
Main Body Material and Surface Treatment	aluminium alloy, surface treated by black anodic oxidation.							
Thickness of The Fixed Plate(mm)	8	10.5	10.5	10.5	10.5	10.5	16	16
Number of Pulling Spring	4							
With Locking Mechanics	Yes							
Mounting Hole	M4	M6, counter boreØ8						
Net Weight(g)	35	95	90	85	100	125	240	400

**Dimensions:**

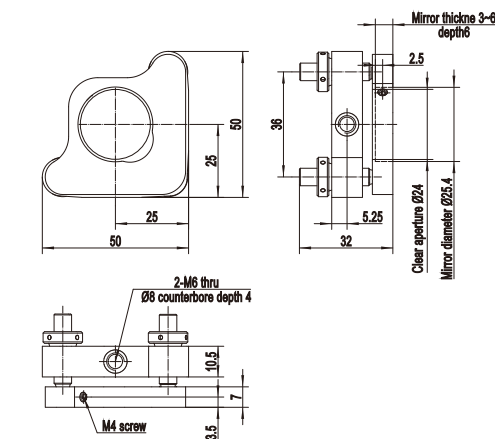
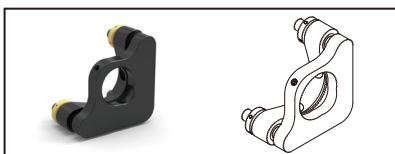
NMHS12.7



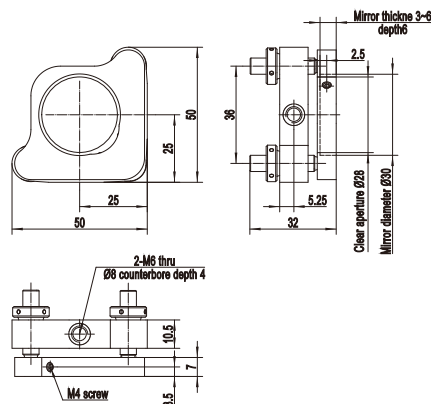
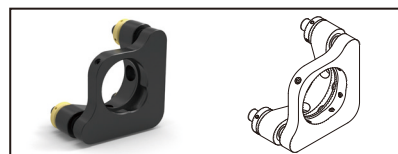
NMHS20



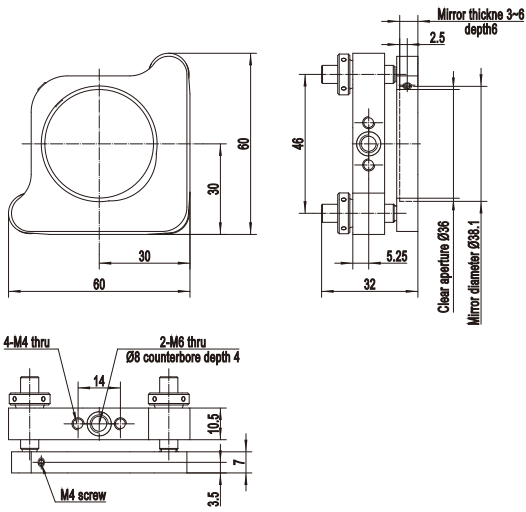
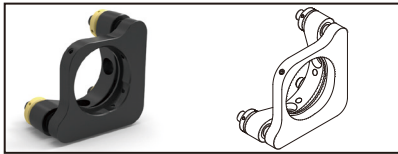
NMHS25.4



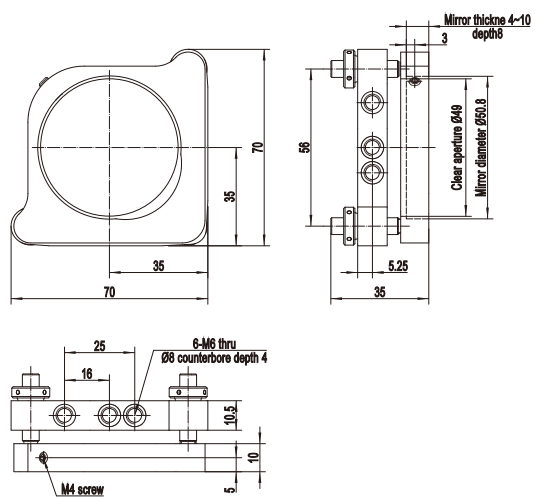
NMHS30



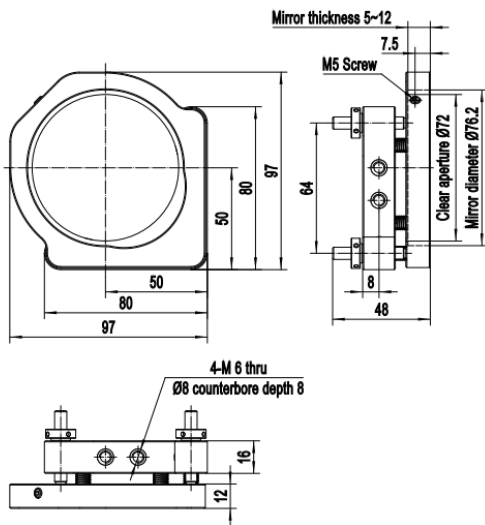
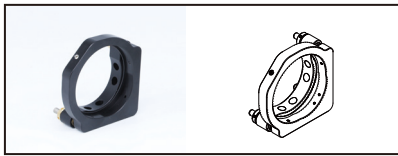
NMHS38.1



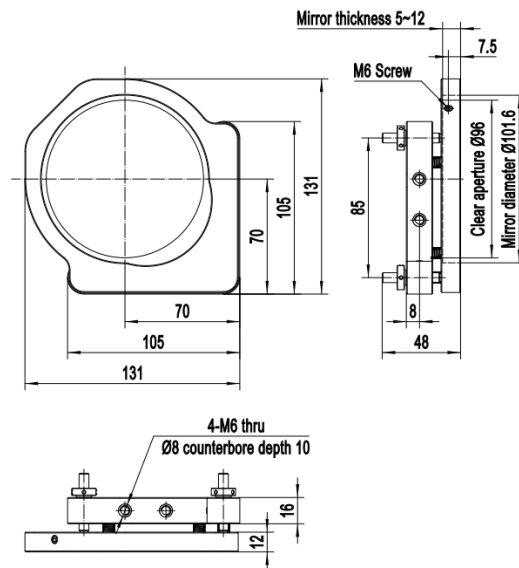
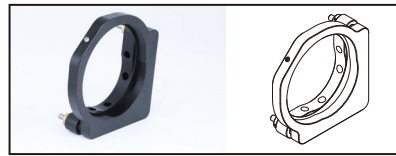
NMHS50.8



NMHS76.2



NMHS101.6



# NRAM Series Right-Angle Kinematic Mirror Mounts



## Description:

NRAM series mirror mount is specially designed by Zolix for reflection mirror, simple and practical structure. It covers multiple sizes from Ø12.7 to Ø50.8mm, which can meet the use of most applications.

## Features:

- Material: high quality aluminum alloy was employed, and surface is anodized and appears with black, which can effectively prevent stray light.
- High stability: by adopting line-line-line structure, 6 degree of freedom are firmly fixed. This structure also provides high adjustment accuracy and high stability.
- High sensitivity: 0.2mm pitch screw for line-line-line adjustment.

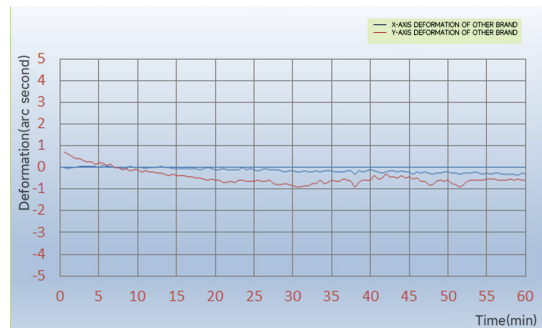
## Naming rule:

# NRAM 25.4

Series code:  
NRAM: Right-angle  
kinematic mirror mounts

Installation Mirror OD:  
12.7:  $\phi$  12.7/ $\phi$  12.7mm  
25.4:  $\phi$  25mm/ $\phi$  25.4mm  
38.1:  $\phi$  38.1mm  
50.8:  $\phi$  50mm/ $\phi$  50.8mm

## NRAM series stability test data

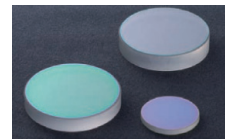


Note: above data is tested in laboratory, temperature  $22 \pm 2^\circ\text{C}$

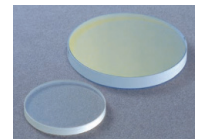
## Selection table:

Model	NRAM12.7	NRAM25.4	NRAM38.1	NRAM50.8
Optic Size(mm)	Ø12.5/Ø12.7	Ø25/Ø25.4	Ø38.1	Ø50.8
Optic Edge Thickness(mm)	4~7	3~6	4~8	4~10
Angular Range(°)	±3			
Clear Aperture(mm)	Ø9.5	Ø22.5	Ø27	Ø42
Optical Axis Height(mm)	15	24	32.5	38
Resolution: Angular Adjustment Per Revolution(°)	≈0.6	≈0.33	≈0.26	≈0.22
Main Body Material and Surface Treatment	Black anodized aluminium alloy			
Number of Pulling Spring	4			
Mounting Hole	M3, M4	M4, M6		
Net Weight(g)	50	155	380	575

## Related products:



Mirrors with coating



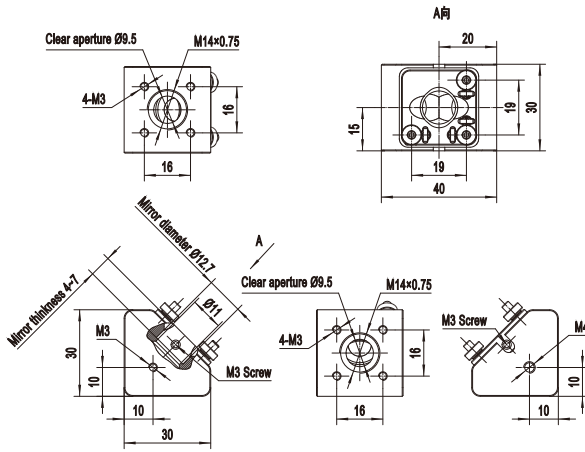
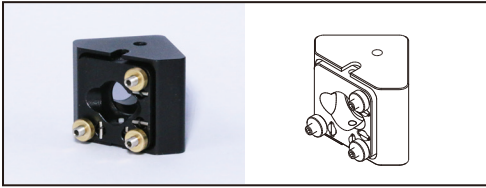
Beam Splitter



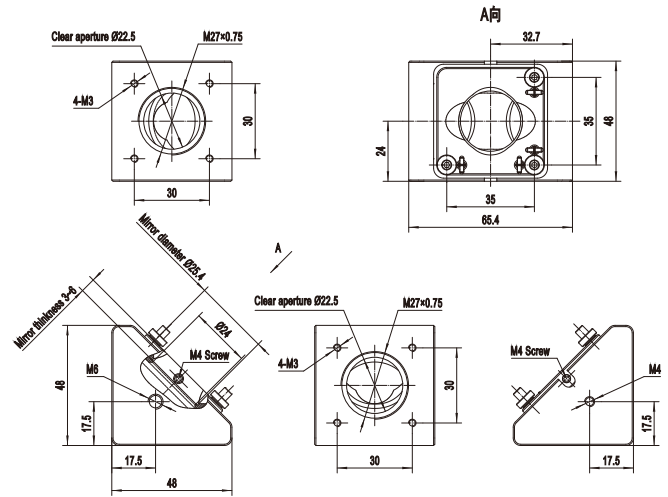
Connecting Accessories

**Dimensions:**

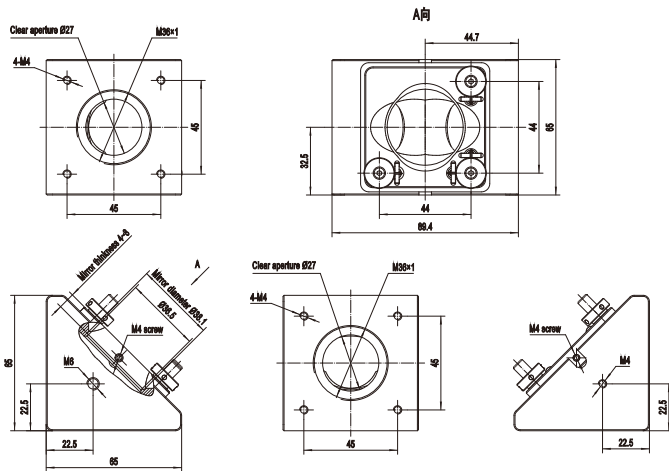
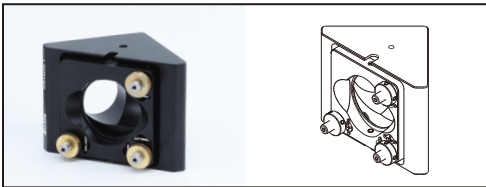
NRAM12.7



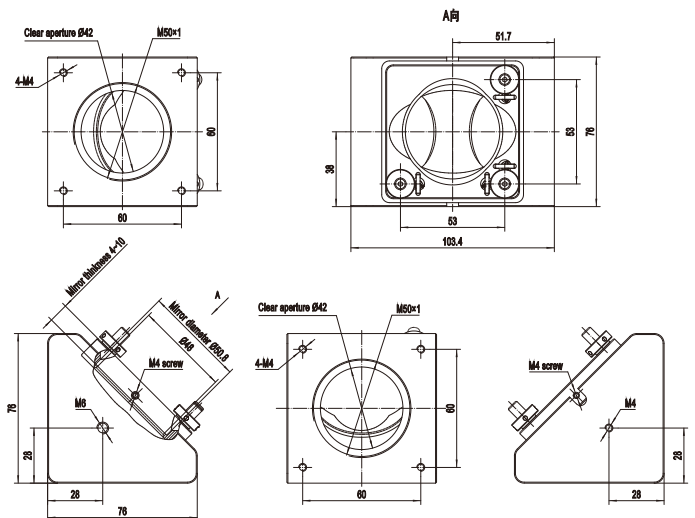
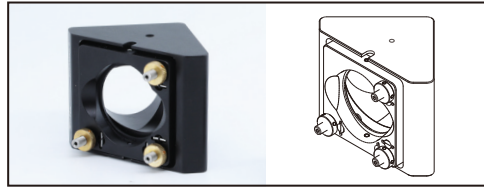
NRAM25.4



NRAM38.1



NRAM50.8



# NMM Series Kinematic Mirror Mount



## Description:

NMM series kinematic mounts is specially designed for small size optics, which features 28.5mm and 22mm profile dimensions. It's a good option for the optics adjustment within very compact space.

## Features:

- High-quality materials: The main body is made of high-quality aluminium alloy, and the surface treated by black anodized oxidation. Advanced compact structure:
  - ①The design of four-pull spring enhances the pulling force and makes the distribution of the pulling force more uniform.
  - ②Come with 28.5mm small series and 20mm ultra small series, suit for the optics adjustment within very compact space.
- High sensitivity: Come with 0.25 mm pitch super-fine thread pairs for 2D adjustment, for higher sensitivity
- Easy adjustment: Adjusting thread pair come with inner-hexagonal adjusting hole behind. Can coupled with standard thumb wheel or Inner hexagon spanner, for better adjustment sensitivity and also larger angle range.

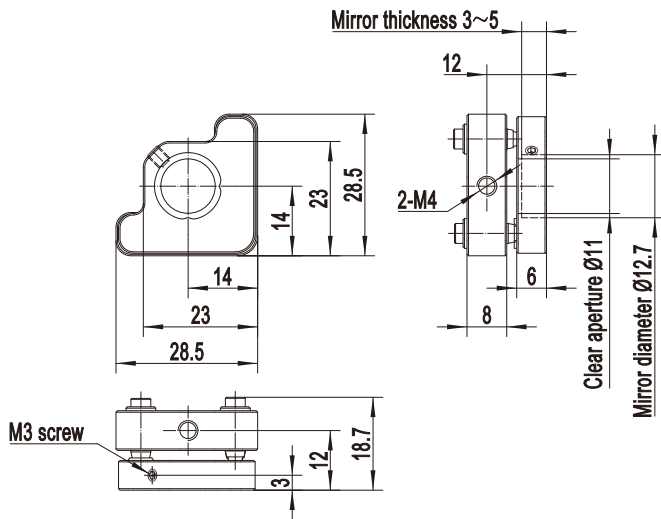
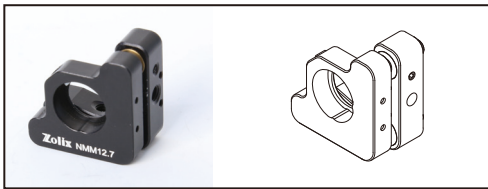
## Selection table:

Model	NMM12.7	NMM12.7-B	NMM12.7-C	NMM12.7-D
Optic Size (mm)	Ø12.5/Ø12.7			
Optic Edge Thickness (mm)	3~5			
Angular Range(°)	±3			
Clear Aperture(mm)	Ø11	Ø11	Ø11	Ø7/Ø11
Optical Axis Height(mm)	14			
Resolution: angular adjustment per revolution(°)	≈0.75			
Main Body Material and Surface Treatment	Black anodized aluminium alloy			
Thickness of The Fixed Plate(mm)	8	8	8	9
Number of Pulling Spring	4	4	4	3
Mounting Hole	M4	M4	M4	M4, Ø6 counter bore
Net Weight(g)	20			

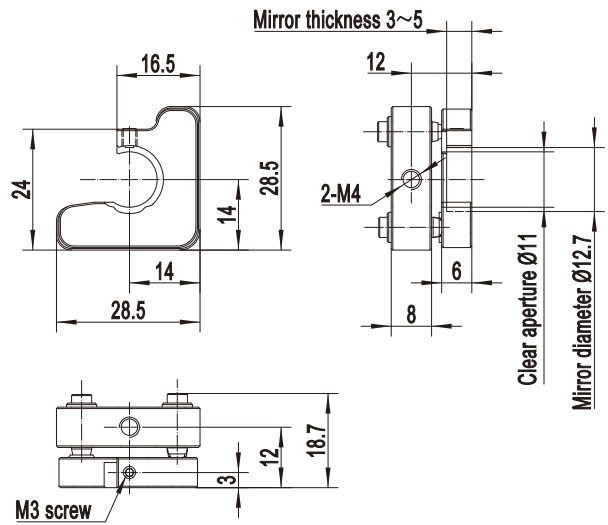
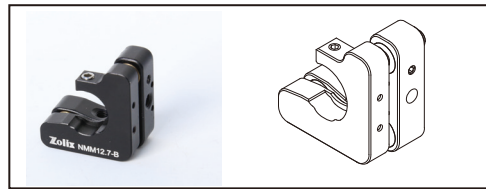
Model	NMM8m	NMM10m	NMM12.7m
Optic Size (mm)	Ø8	Ø10	Ø12.5/Ø12.7
Optic Edge Thickness (mm)	2~4	2~4	2~4
Angular Range(°)	±3		
Clear Aperture(mm)	Ø7	Ø9	Ø11.7
Optical Axis Height(mm)	10		
Resolution: angular adjustment per revolution(°)	≈0.975		
Main Body Material and Surface Treatment	Black anodized aluminium alloy		
Thickness of The Fixed Plate(mm)	6		
Number of Pulling Spring	4		
Mounting Hole	M4		
Net Weight(g)	10		

**Dimensions:**

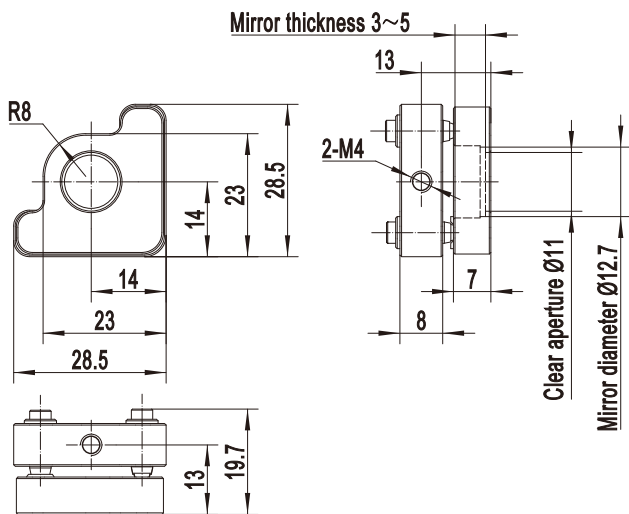
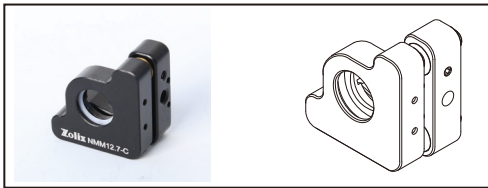
NMM12.7



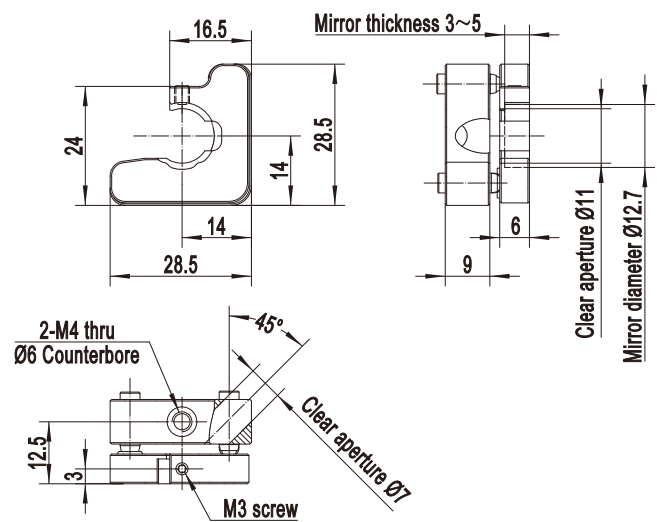
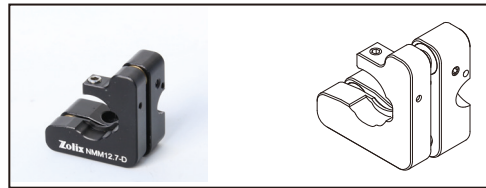
NMM12.7-B



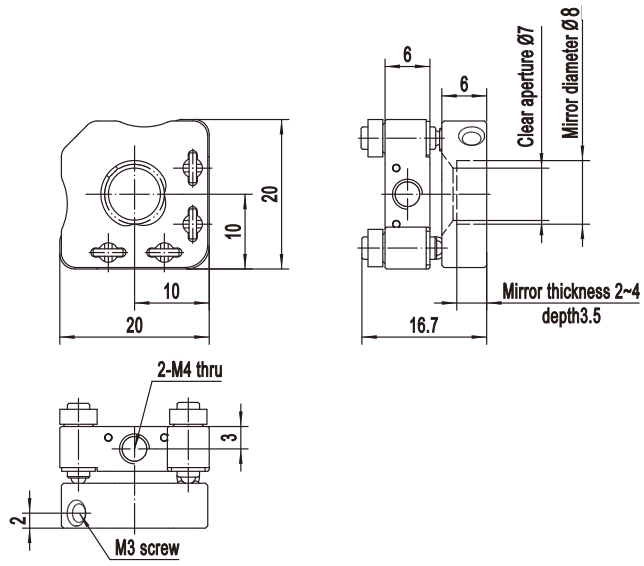
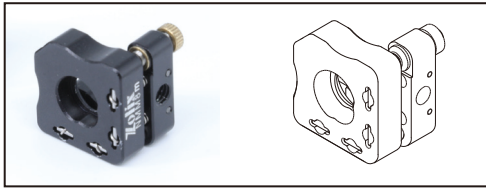
NMM12.7-C



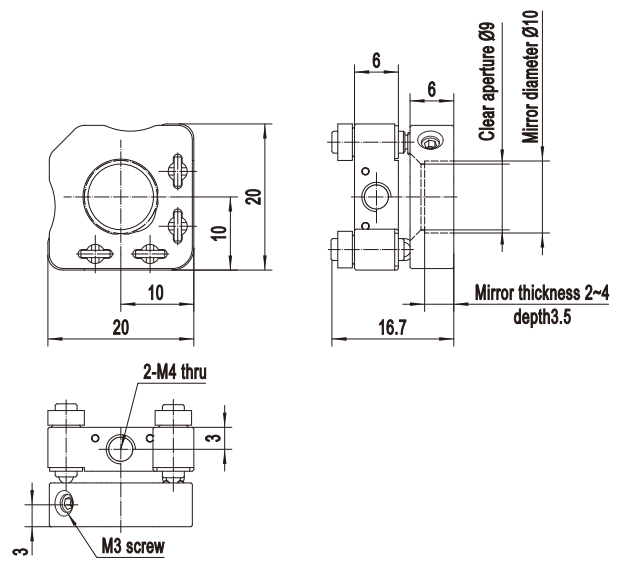
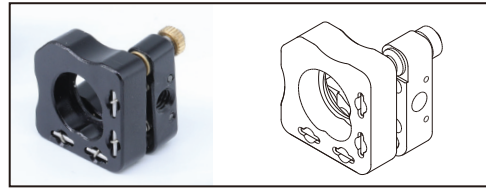
NMM12.7-D



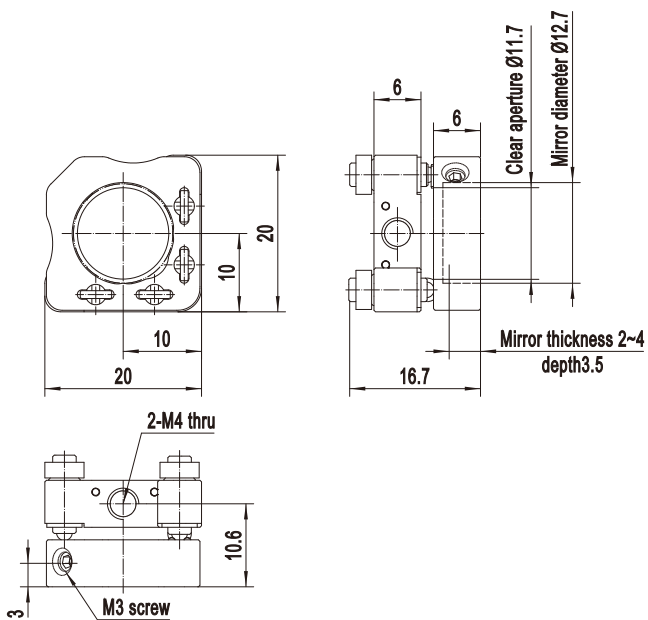
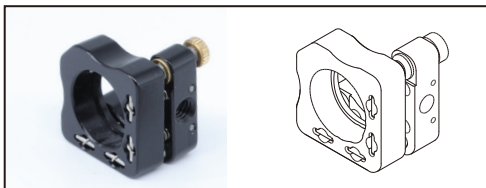
NMM8m



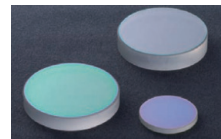
NMM10m



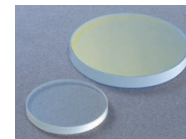
NMM12.7m



**Related products:**



Mirrors with coating



Beamsplitter



Connecting Accessories

# NMC Series Center Kinematic Mirror Mounts



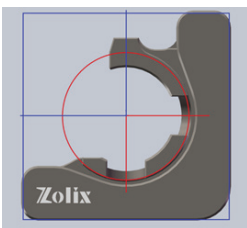
## Description:

NMC is a new type optical mirror mount designed by Zolix. This series of products are rich in variety, covering a number of sizes from  $\text{Ø}12.7$  to  $\text{Ø}50.8\text{mm}$ , which can meet the use of most applications.

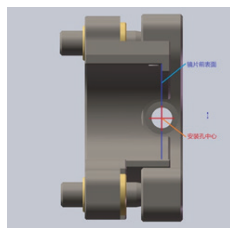
## Features:

- High-quality material: the main body is high-quality aluminum alloy, and the surface is treated with black anodized oxidation
- Special structure:
  - The center of the lens coincides with the center of the front plate, which is easy to find the optical axis (according to the front plate of the kinematic mount, it is easy to find the center position and center height of the optical axis), even if it is not visible light, it is easy to adjust the optical path.
  - The front surface of the optics (reflective surface) center coincides with the installation center of the rod, and when the installation hole on the vibration isolation platform is used, the coaxial adjustment of the optical path is easy to realize.
- High sensitivity: The use of two 0.2mm pitch ultra-fine screw (except NMC12.7) for two-dimensional adjustment, with higher sensitivity.
- Convenient adjustment: The rear end of the threaded pair is equipped with a hexagonal adjustment hole, which can be adjusted by the standard hex key, which can enlarge the rotation radius and improve the adjustment sensitivity.
- High versatility: universal mounting holes can be fixed by M6(from below) or M4(from above) screws.

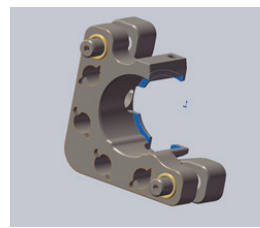
## Details of product



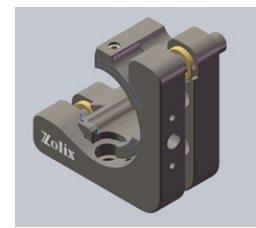
The center of the lens coincides with the center of the physical dimensions of the front plate of mirror mount



The center of the front surface (reflective surface) of the lens coincides with the center of the below mounting rod



There are three contact surfaces when the lens is installed



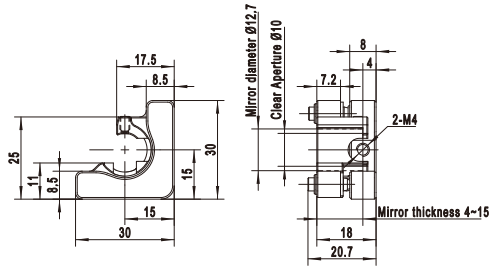
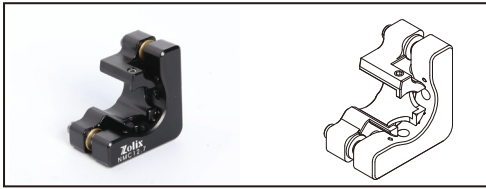
Two mounting holes on the bottom and side

## Selection Table:

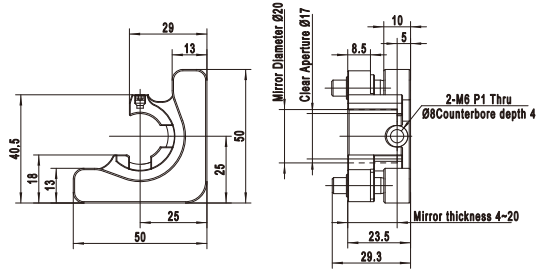
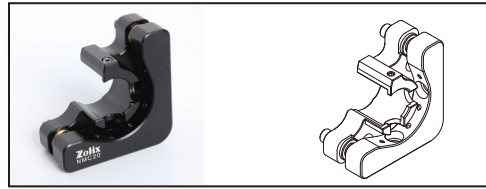
Model	NMC12.7	NMC20	NMC25.4	NMC38.1	NMC50.8
Optic Size(mm)	$\text{Ø}12.5/\text{Ø}12.7$	$\text{Ø}20$	$\text{Ø}25/\text{Ø}25.4$	$\text{Ø}38.1$	$\text{Ø}50/\text{Ø}50.8$
Optic Edge Thickness(mm)	4~15	4~20	4~20	4~20	4~20
Angular Range(°)	±3				
Clear Aperture(mm)	$\text{Ø}10$	$\text{Ø}17$	$\text{Ø}23$	$\text{Ø}35$	$\text{Ø}47$
Optical Axis Height(mm)	15	25	25	30	40
Resolution: angular adjustment per revolution(°)	≈0.67	≈0.31	≈0.31	≈0.24	≈0.18
Main Body Material and Surface Treatment	Black Anodized Aluminium Alloy				
Thickness of Fixed Plate(mm)	8	10	10	10	10
Number of Pulling Spring	4				
Mounting Hole	M4	M6, $\text{Ø}8$ counter bore			
Net Weight(g)	30	75	75	80	140

**Dimensions:**

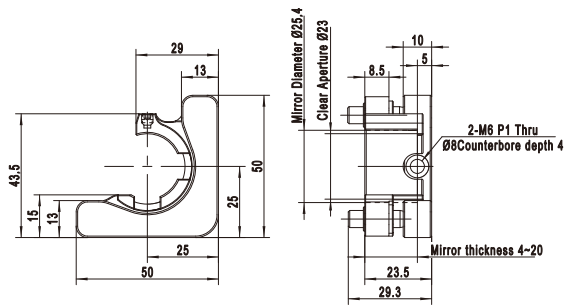
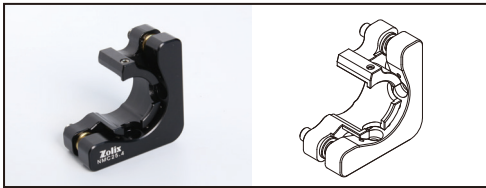
NMC12.7



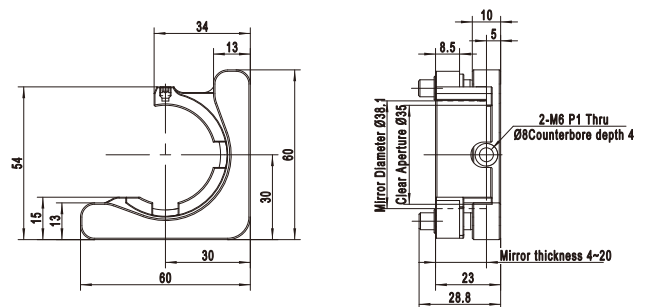
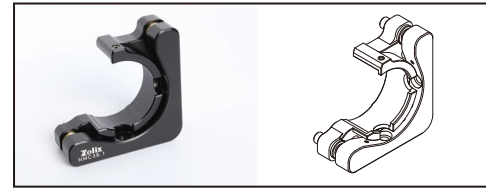
NMC20



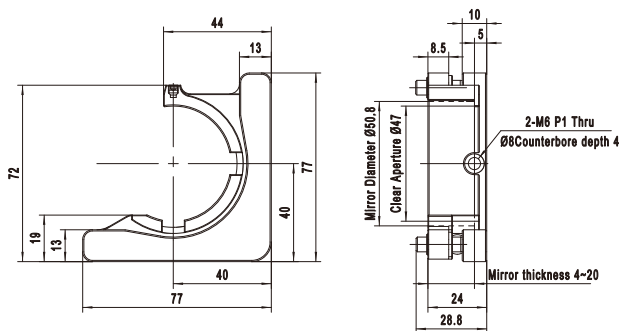
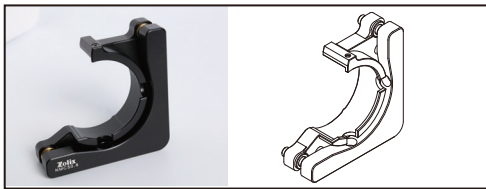
NMC25.4



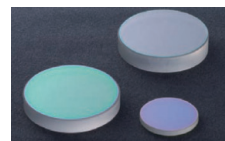
NMC38.1



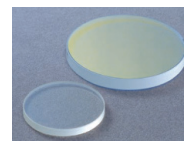
NMC50.8



**Related products:**



Mirrors with coating



Beamsplitter



Connecting Accessories

# NMV Series Vertical Drive Kinematic Mirror Mount



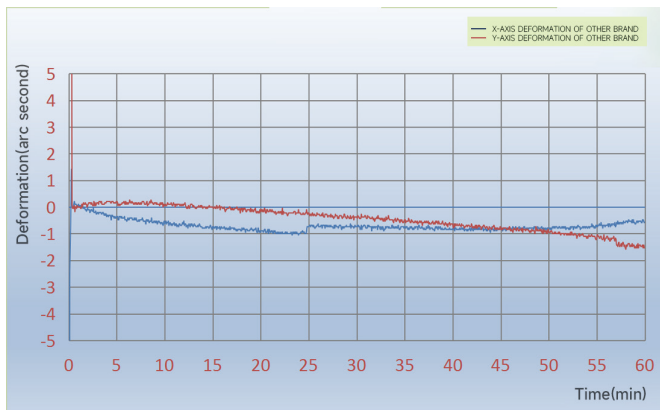
## Description:

NMV series new designed kinematic mirror mounts feature adjustment thumb wheel on the top, so the thickness of kinematic mount is much smaller than regular type. This design also avoids the problem of finger blocking the optical path while tuning. Optic size covers from 12.7mm to 50.8mm, suitable for adjustments in limited space.

## Features:

- High-quality materials: The main body is made of high-quality aluminium alloy, and the surface treated by black anodic oxidation.
- Advanced structure:
  - ① With adjustment thumb wheel on the top, during the tuning, also avoid the finger block the optical path.
  - ② Less thickness saving the space
  - ③ Fine calculated 3 pulling spring's pulling force, more stable structure and uniform in pulling force
- High sensitivity: 2 pcs 0.2 mm pitch super-fine thread pairs for 2D adjustment, for higher sensitivity
- Universal mounting holes: M4, M6 screw holes

## NMV series Stability Test Data

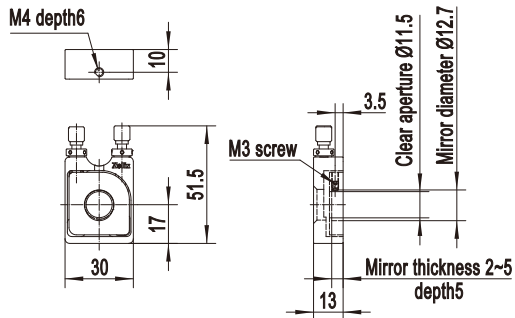


## Selection table:

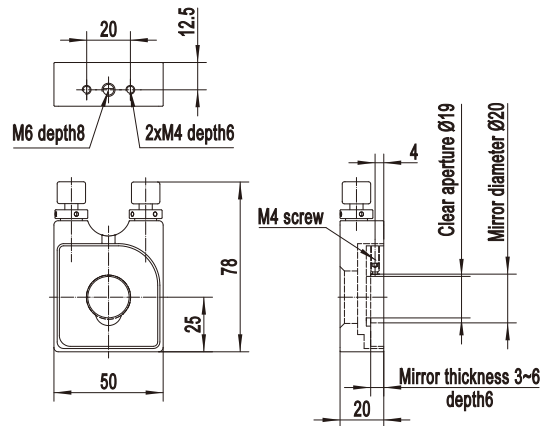
Model	NMV12.7	NMV20	NMV25.4	NMV38.1	NMV50.8
Optic Size(mm)	Ø12.5/Ø12.7	Ø20	Ø25/Ø25.4	Ø38.1	Ø50/Ø50.8
Optic Edge Thickness(mm)	2~5	3~6			
Angular Range(°)	±3				
Clear Aperture(mm)	Ø11.5	Ø19	Ø23.5	Ø36.5	Ø47
Optical Axis Height(mm)	17	25	25	32	35
Overall Thickness (mm)	13	20	20	20	22
Resolution: angular adjustment per revolution(°)	Pitch: ≈0.55 Yaw: ≈0.57	Pitch: ≈0.35 Yaw: ≈0.34	Pitch: ≈0.35 Yaw: ≈0.34	Pitch: 0.31 Yaw: 0.26	Pitch: ≈0.28 Yaw: ≈0.22
Main Body Material and Surface Treatment	Black Anodized Aluminium Alloy				
Number of Pulling Spring	3				
Locking Mechanics	Yes				
Mounting Hole	M4	M6, 2×M4			
Net Weight(g)	40	160	150	180	220

**Dimensions:**

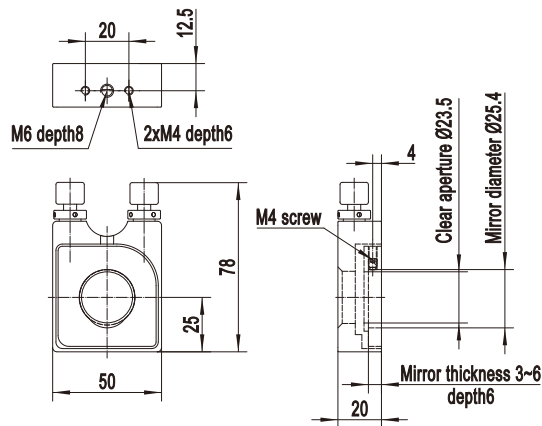
NMV12.7



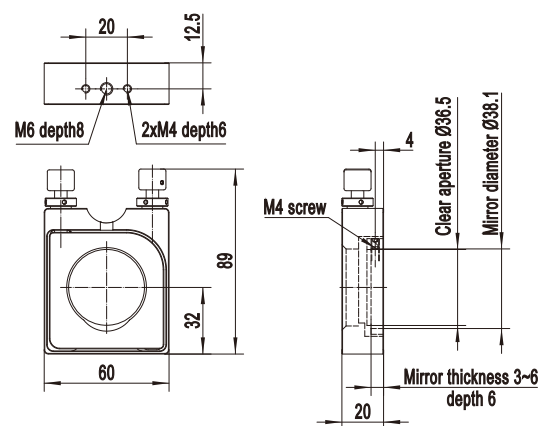
NMV20



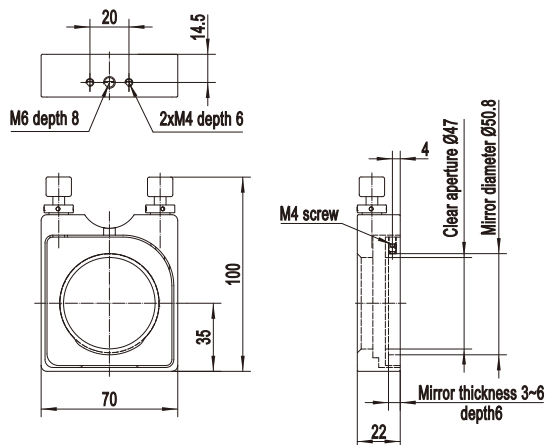
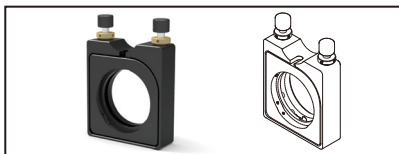
NMV25.4



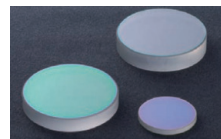
NMV38.1



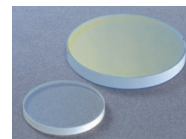
NMV50.8



**Related products:**



Mirrors with coating



Beamsplitter



Connecting Accessories

## NMVG Series Top Adjust Gimbal Mirror Mounts

AL  
6061



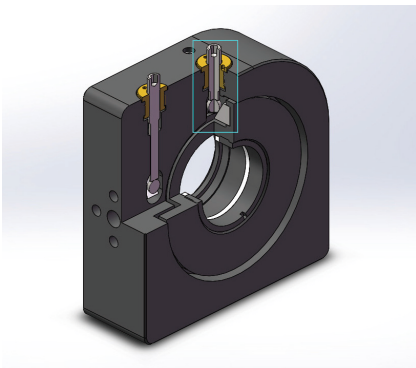
2-Axes

0.3mm  
Pitch



### Description:

NMVG is an ideal mirror mount for applications where adjustments must be performed without obstructing the beam path. The adjustment screws are located on top of the mount to avoid interfering with system placement.



### Features:

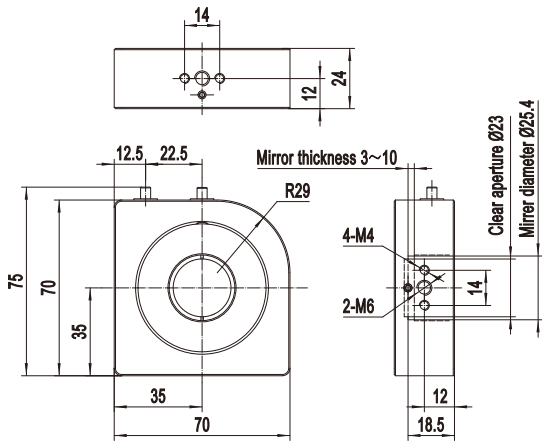
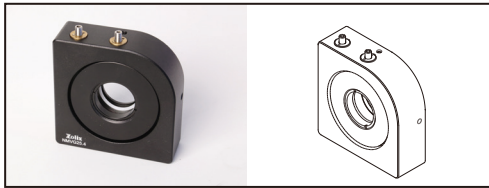
- High-quality materials: The main body is premium aluminium alloy, and the surface treated by black anodic oxidation.
- Advanced structure:
- No adjustment thumb wheel saves more space for compact installation.
- Easy for tuning: Available for using the Hexagon wrench or thumb wheel.
- High stability: M4×3 screw with copper sleeve, fine optimized puling spring features moderate pulling force
- Good versatility: Compatible with lens, mirror, beamsplitter etc. saving the space, avoid the finger block the optical path, can be use in the laser chamber.

### Selection table:

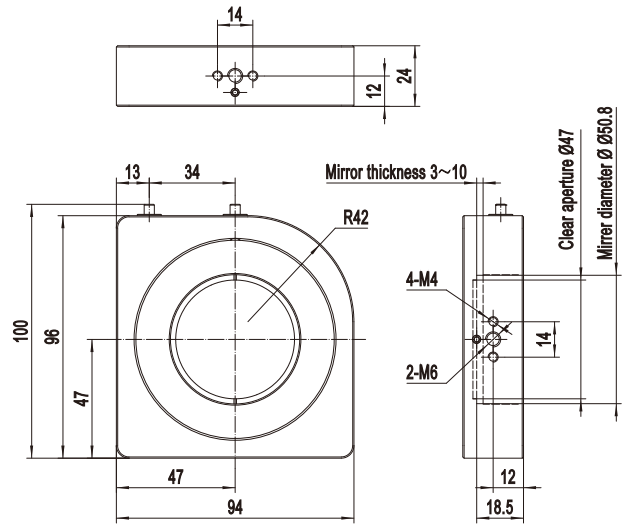
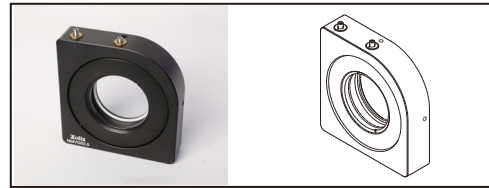
Model	NMVG25.4	NMVG50.8
Optic Size(mm)	Ø25/Ø25.4	Ø50/Ø50.8
Optic Edge Thickness (mm)	3~10	
Angular Range(°)	±3	
Clear Aperture(mm)	Ø23	Ø47
Optical Axis Height(mm)	35	47
Overall Height(mm)	75	100
Overall Thickness(mm)	24	
Resolution: angular adjustment per revolution(°)	≈0.78	≈0.48
Main Body Material and Surface Treatment	Black Anodized Aluminium Alloy	
Mounting Hole	M6, 2×M4	
Net Weight(g)	260	400

**Dimensions:**

NMVG25.4



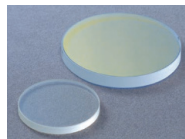
NMVG50.8



**Related products:**



Mirrors with coating



Beamsplitter



Connecting Accessories

# NMGC Series Eccentric Kinematic Mirror Mounts



## Description:

The optical axis of NMGC series is away from mounting rod center, which is able to mount 12.7mm, 20mm, 25.4mm, 38.1mm, 50.8mm reflectors, beamsplitter or other optical components.

## Features:

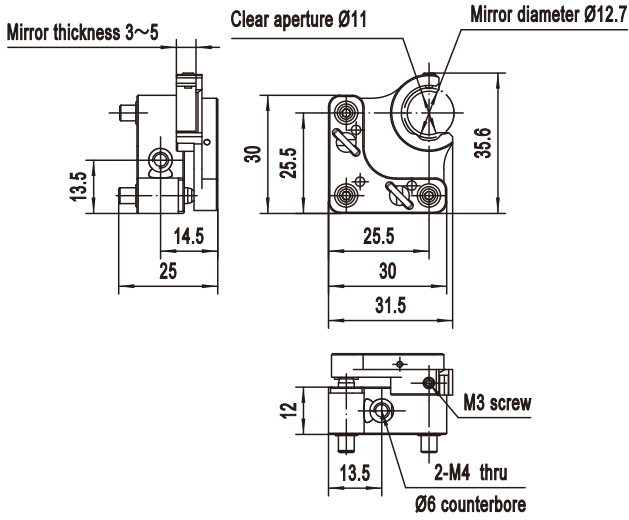
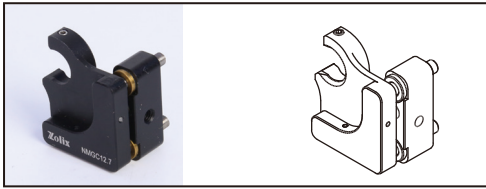
- High quality material: the main body is made of high quality aluminum alloy, the surface of the black anodized treatment.
- Special structure:
  - ①The center of the lens coincides with the center of pitch and yaw. After the lens is installed from the rear, the front surface of the lens is on the same plane with the top surface of the thread pair. When adjusting, the position change of the lens center is consistent with the change of the thread pair, realizing the coplanar adjustment.
  - ②Eccentric opening design, and there is no light blocking.High sensitivity: The use of 0.2mm pitch fine-tuning thread pair (except 12.7mm adjustment frame) for three-dimensional adjustment, with higher sensitivity.
  - ③The thickness of the back plate is 18mm(note: the thickness of the back plate of the 12.7mm kinematic mount is 12mm), and the mounting hole is deep enough to ensure that the kinematic mount will not shake.
- Easy adjustment: the rear end of the thread pair has hexagonal adjustment hole, which can be adjusted by hand wheel(each mirror mount has one unit) or hex key.
- High versatility: universal mounting hole, NMGC12.7 adjusting frame can be installed and fixed with M3 and M4 screws, other mirror mounts can be installed and fixed with M4 and M6 screws.

## Selection table:

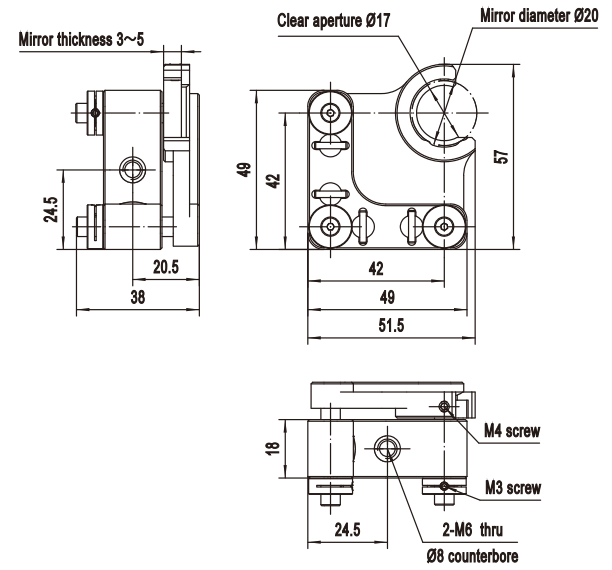
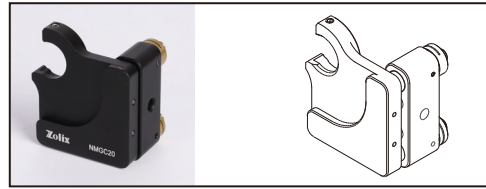
Model	NMGC12.7	NMGC20	NMGC25.4	NMGC38.1	NMGC50.8
Optic Size(mm)	Ø12.5/Ø12.7	Ø20	Ø25/Ø25.4	Ø38.1	Ø50/Ø50.8
Optic Edge Thickness (mm)	3~5				
Angular Range(°)	±3				
Travel range(Z axis)(mm)	MAX6				
Clear Aperture(mm)	Ø11	Ø17	Ø23.5	Ø35	Ø47
Optical Axis Height(mm)	25.5	42	42	47	47
Resolution: angular adjustment per revolution(°)	≈0.68	≈0.33	≈0.33	≈0.29	≈0.29
Main Body Material and Surface Treatment	Black anodized aluminium alloy				
Thickness of The Fixed Plate(mm)	12	18	18	18	18
Number of Pulling Spring	2	4	4	4	4
Locking Mechanism	None	Yes	Yes	Yes	Yes
Mounting Hole	M4, Ø6 counter bore	M6, Ø8 counter bore			
Net Weight(g)	30	140	140	150	150

**Dimensions:**

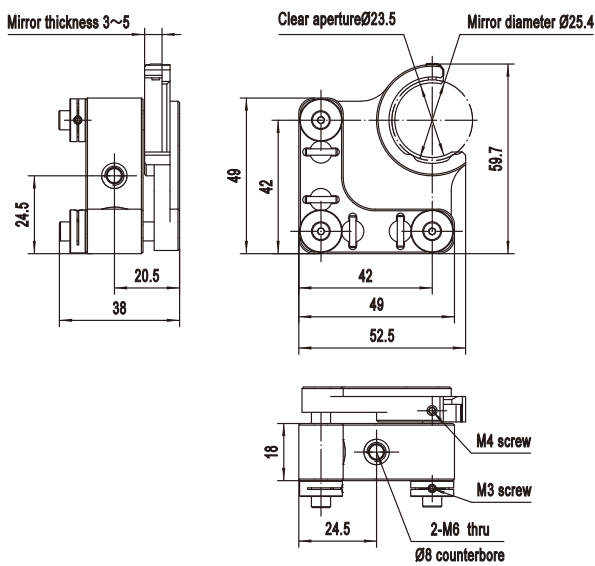
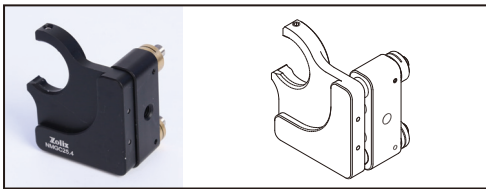
NMGC12.7



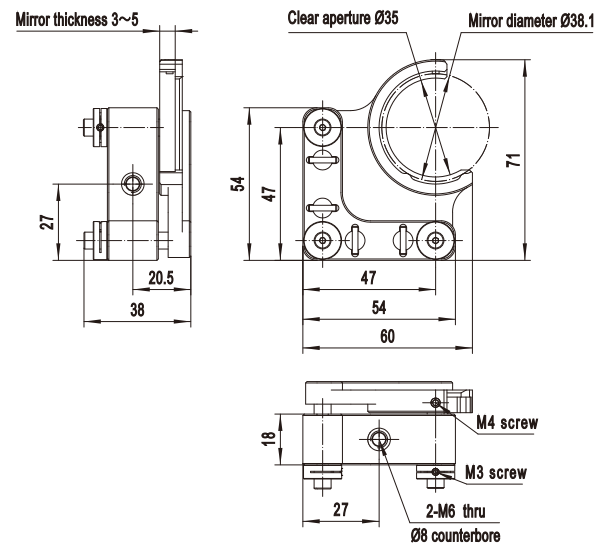
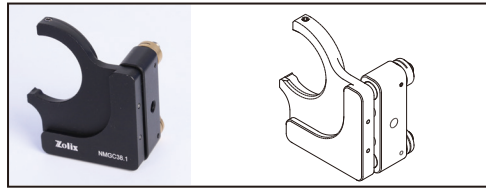
NMGC20



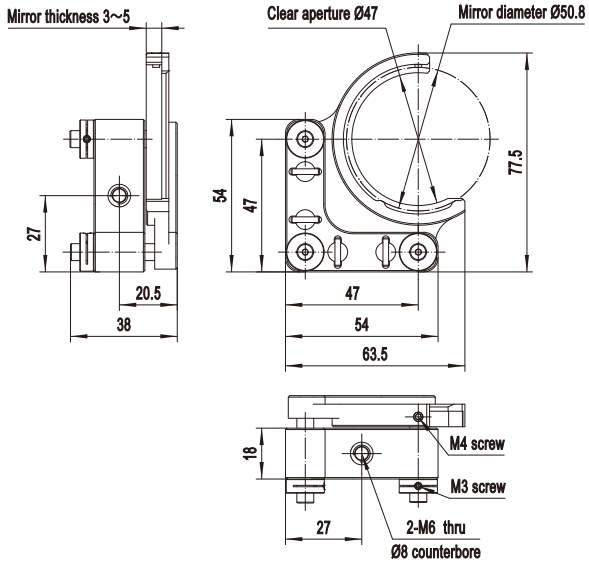
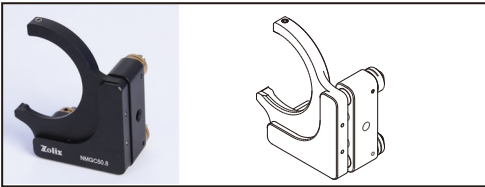
NMGC25.4



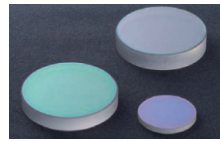
NMGC38.1



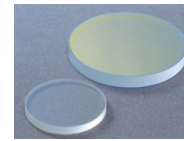
NMGC50.8



Related products:



Mirrors with coating



Beamsplitter



Connecting Accessories

# OMUS Series Stainless Steel Kinematic Mirror Mount



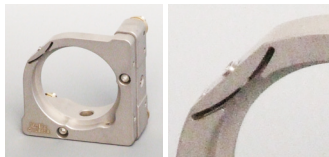
## Brief Introduction:

The OMUS series represents Zolix's premium line of stainless steel kinematic mirror mount.

## Features:

- High versatility: the main body is made of stainless steel, able to work in vacuum environment.
- Four pulling springs, more uniform pulling force.
- High sensitivity 0.2 mm pitch super-fine thread pairs for 3D adjustment and higher sensitivity.
- Dual fixing mechanism: a specially designed elastic ring prevents lens deformation caused by locking screws or rigid fixing. Alternatively, the elastic ring can be removed, allowing the lens to be secured using the side elastic plate.
- Dual adjustment: thumb wheels or hexagon spanners.
- With M4 and M6 mounting holes.

## Details of product



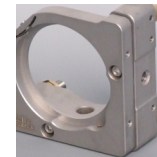
Double mounting method: shrapnel and top screw



Threaded auxiliary locking mechanism and internal hexagon at the rear end



Standard handwheel with hexagon



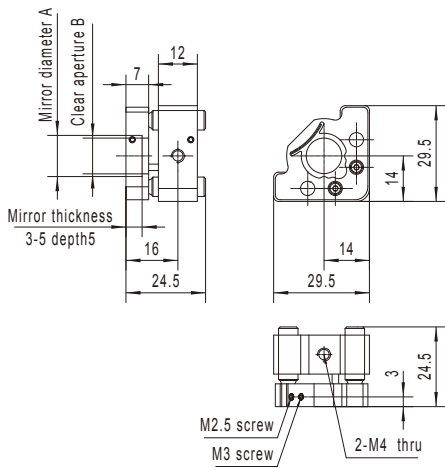
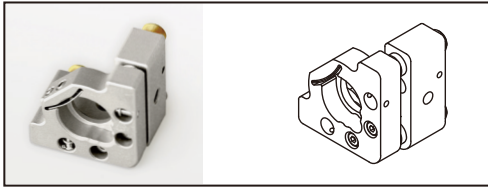
Front and rear plate locking mechanism

## Selection table:

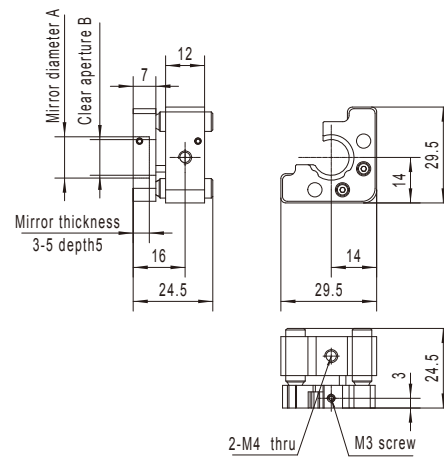
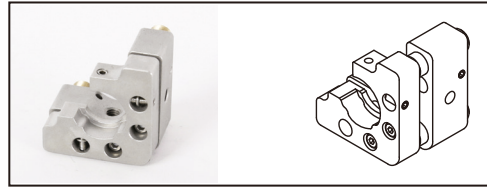
Model	OMUS12.7(-B)	OMUS20(-B)	OMUS25.4(-B)	OMUS38.1(-B)	OMUS50.8(-B)
Optic Size A(mm)	Ø12.5/Ø12.7	Ø20	Ø25/Ø25.4	Ø38.1	Ø50/Ø50.8
Optic Edge Thickness (mm)	3~5				
Angular Range(°)	±3				
Travel Range (Z axis)(mm)	MAX6				
Clear Aperture(mm)	11	18	23.5	35	47
Optical Axis Height(mm)	14	25	25	30	35
Resolution: angular adjustment per revolution(°)	≈0.56	≈0.32	≈0.32	≈0.25	≈0.2
Main Body Material and Surface Treatment	Stainless steel, sand blasting				
Thickness of The Fixed Plate(mm)	12	18	18	18	18
Number of Pulling Spring	2	4			
Locking Mechanics	Yes	Yes, dual lock			
Mounting Hole	M4	M6, Ø8 counter bore			
Net Weight(g)	60(60)	250(240)	240(230)	310(290)	360(330)

**Dimensions:**

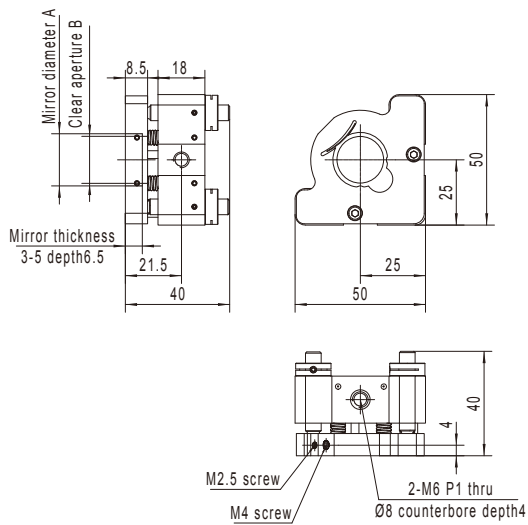
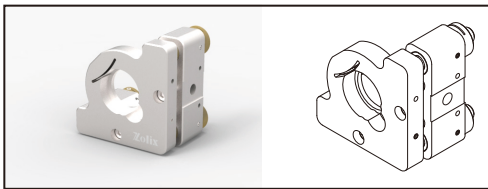
OMUS12.7



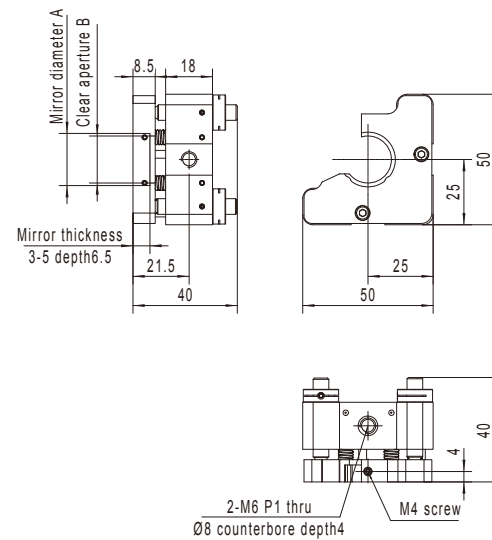
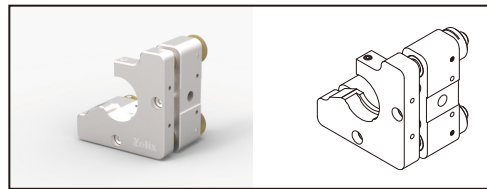
OMUS12.7-B



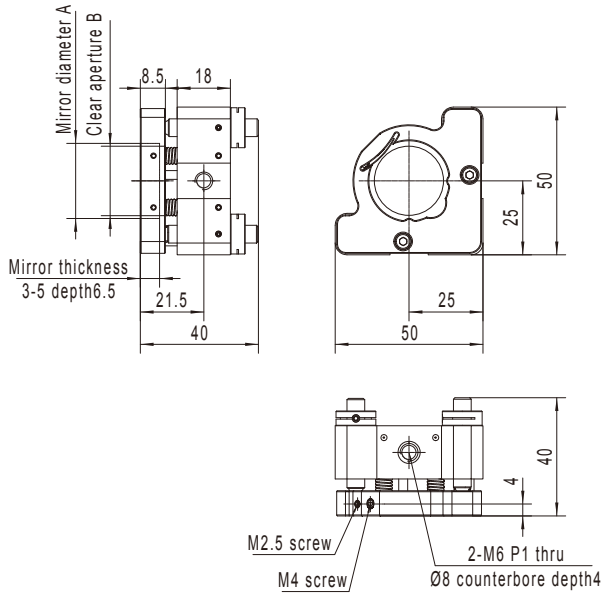
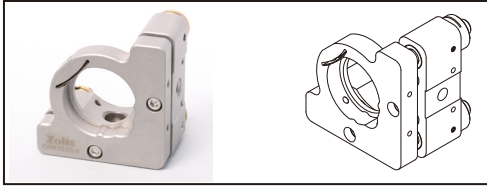
OMUS20



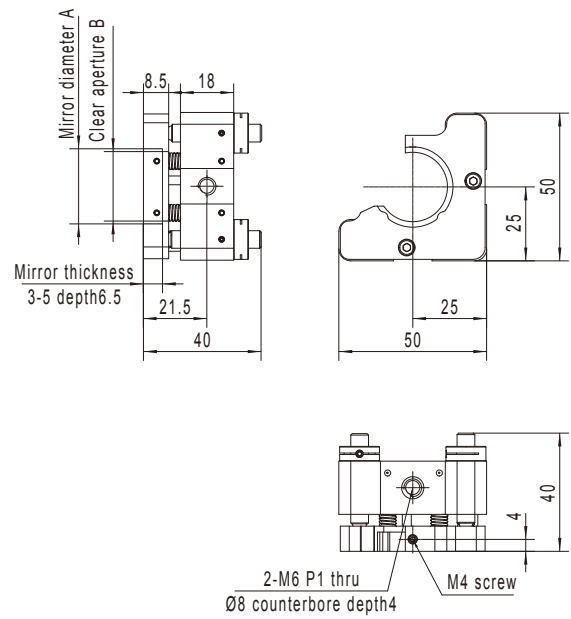
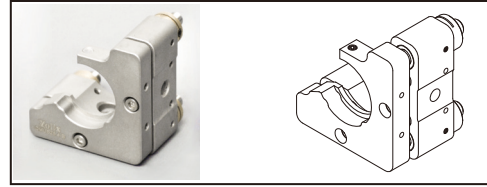
OMUS20-B



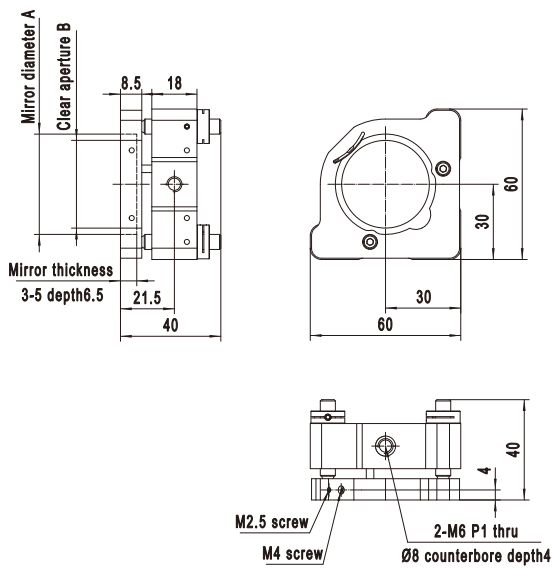
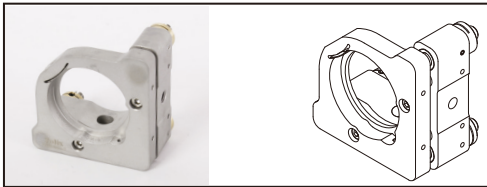
OMUS25.4



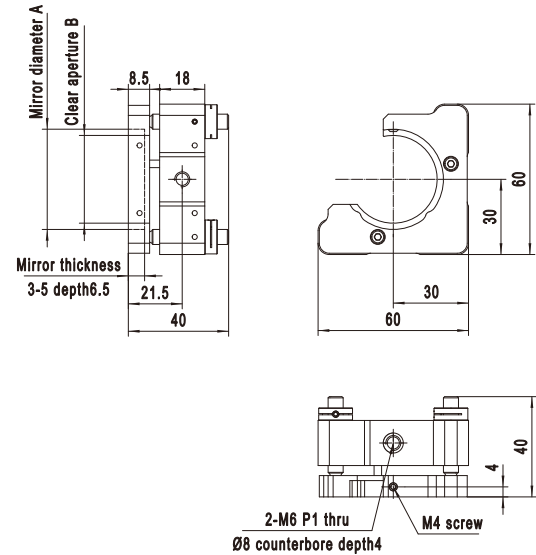
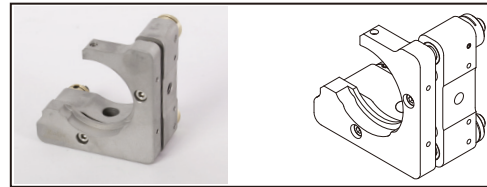
OMUS25.4-B



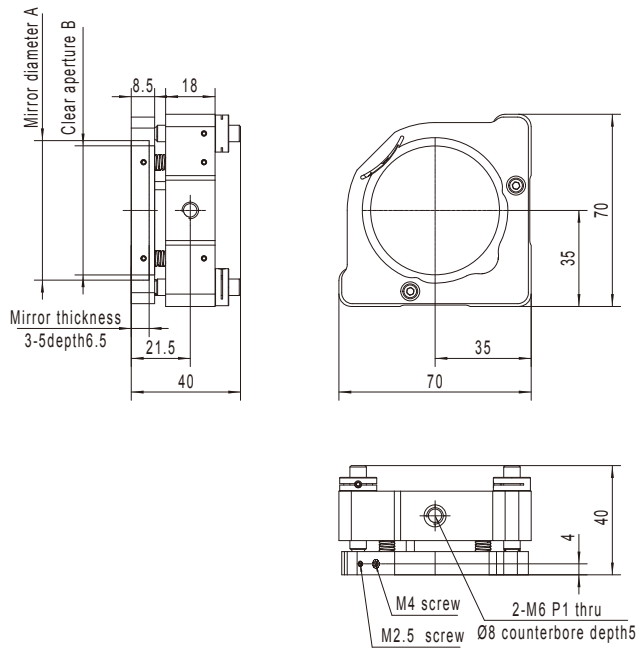
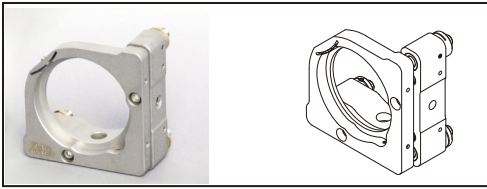
OMUS38.1



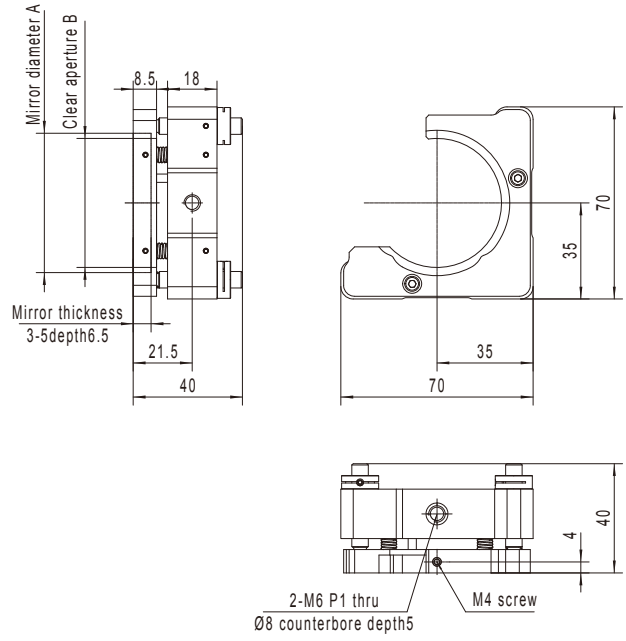
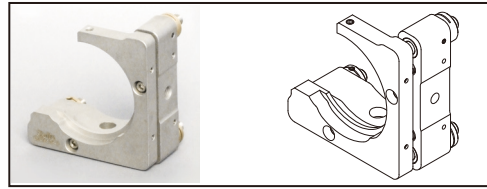
OMUS38.1-B



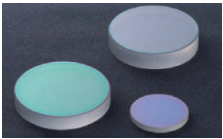
OMUS50.8



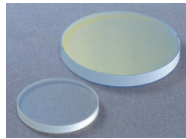
OMUS50.8-B



**Related Products:**



Mirrors with coating



Beamsplitter



Connecting Accessories

# OMHS General Purpose Kinematic Mirror Mount

AL  
2024



## Brief Introduction:

The OMHS series is a universal motion frame designed by Zolix, featuring an optimized structure and precision manufacturing process. The surface is anodized, making it suitable for darkroom experiments.

## Features:

- Adopt three sets of 0.25mm pitch super-fine screws for 3D adjustment, delivering highest sensitivity.
- The product series is comprehensive, covering a range of sizes from Ø12.7 to Ø50.8 mm.
- Each size includes a variety of lens mounting methods, including: closed type with hexagon headless screw(standard type), open type with hexagon headless screw(-B type), closed type with retaining ring(-C type).
- Each adjustment frame can be divided into two types: without locking mechanism(standard type) and with locking mechanism(-S type).

## Selection table:

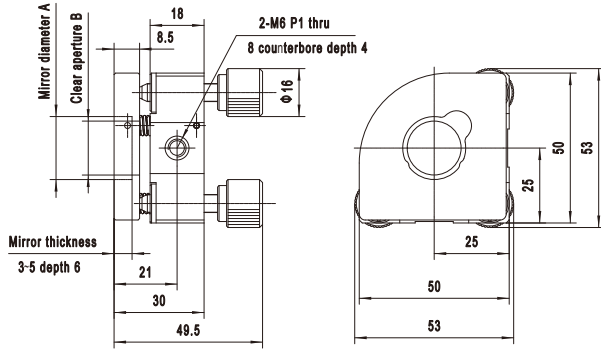
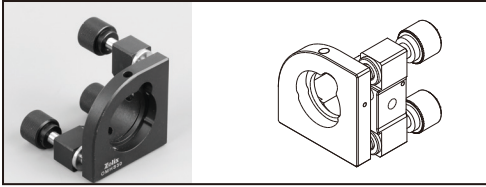
Model	OMHS12.7(-S)	OMHS20(-S)	OMHS25(-S)	OMHS30(-S)	OMHS38.1(-S)	OMHS50.8(-S)
Optic Size A(mm)	Ø12.5/Ø12.7	Ø20	Ø25/Ø25.4	Ø30	Ø38.1	Ø50/Ø50.8
Optic Edge Thickness (mm)	3~5				4~8	
Angular Range(°)	±3					
Travel Range (Z axis)(mm)	MAX6					
Clear Aperture B(mm)	Ø11	Ø18	Ø22	Ø27	Ø35	Ø47
Optical Axis Height(mm)	25	25	25	25	35	35
Resolution: angular adjustment per revolution(°)	≈0.39	≈0.39	≈0.39	≈0.39	≈0.25	≈0.25
Main Body Material and Surface Treatment	Black anodized aluminium alloy					
Thickness of The Fixed Plate(mm)	18					
Number of Pulling Spring	2				4	
Mounting Hole	M6, Ø8 counter bore					
Net Weight(g)	148 (160)	142 (154)	138 (150)	135 (147)	215 (227)	185 (197)

Model	OMHS12.7-B(S)	OMHS20-B(S)	OMHS25-B(S)	OMHS30-B(S)	OMHS38.1-B(S)	OMHS50.8-B(S)
Optic Size A(mm)	Ø12.5/Ø12.7	Ø20	Ø25/Ø25.4	Ø30	Ø38.1	Ø50/Ø50.8
Optic Edge Thickness (mm)	3~5				4~8	
Angular Range(°)	±3					
Travel Range (Z axis)(mm)	MAX6					
Clear Aperture B(mm)	Ø11	Ø18	Ø22	Ø27	Ø35	Ø47
Optical Axis Height(mm)	25	25	25	25	35	35
Resolution: angular adjustment per revolution(°)	≈0.39	≈0.39	≈0.39	≈0.39	≈0.25	≈0.25
Main Body Material and Surface Treatment	Black anodized aluminium alloy					
Thickness of The Fixed Plate(mm)	18					
Number of Pulling Spring	2				4	
Mounting Hole	M6, Ø8 counter bore					
Net Weight(g)	138 (150)	135 (146)	132 (143)	130 (140)	195 (206)	175 (186)

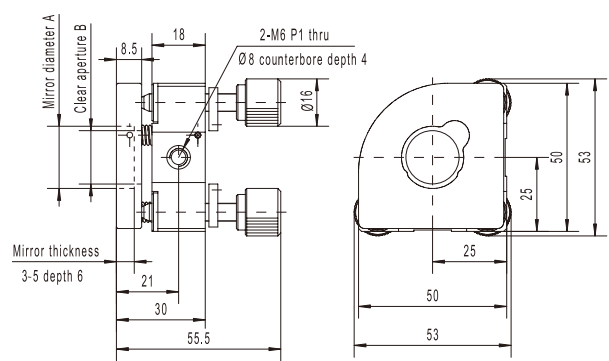
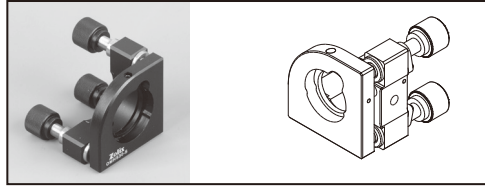
Note: -S is a locking type

**Dimensions:**

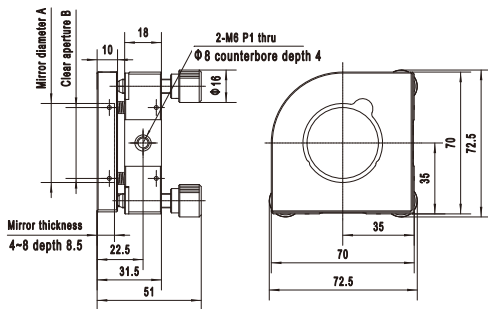
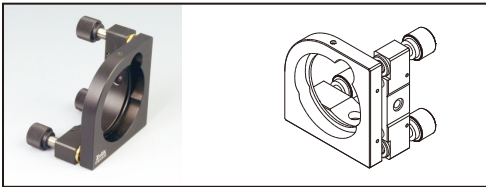
OMHS12.7/20/25/30



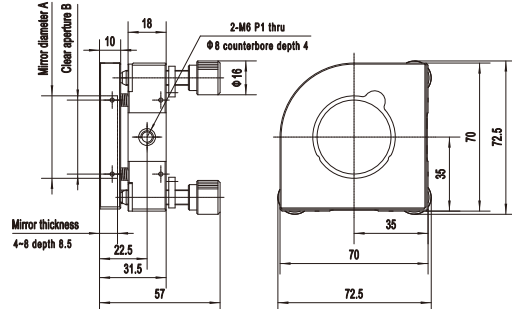
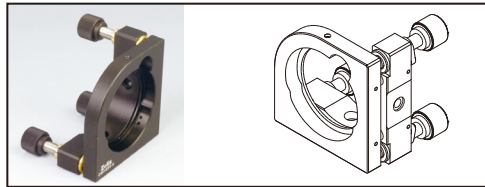
OMHS12.7/20/25/30-S



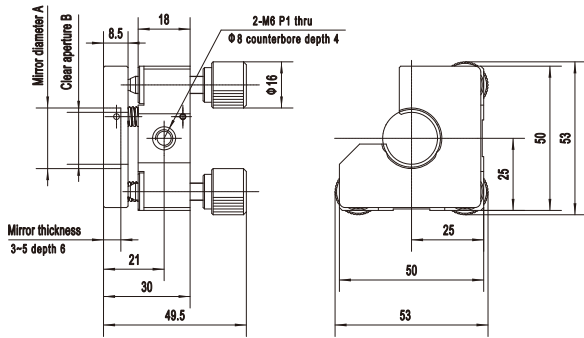
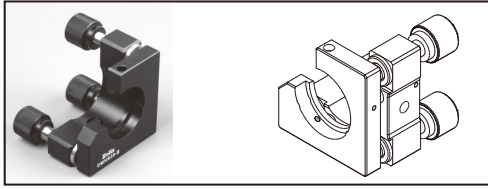
OMHS38.1/50



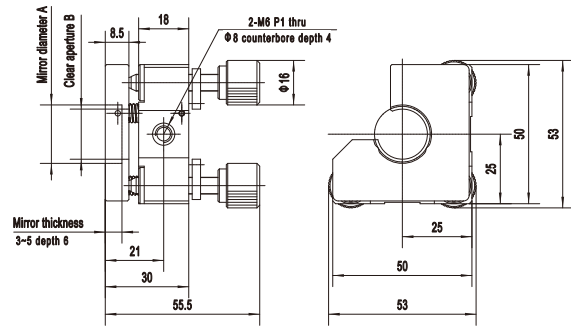
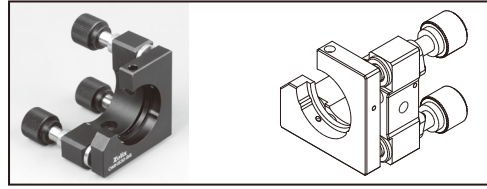
OMHS38.1/50-S



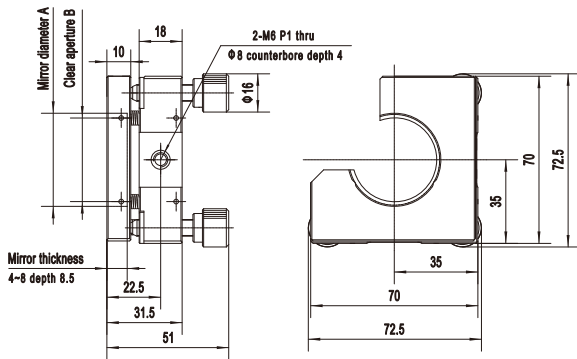
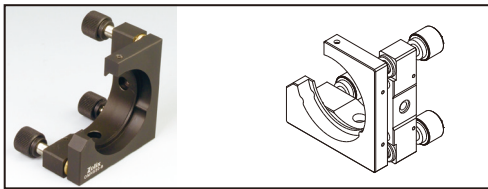
OMHS12.7/20/25/30-B



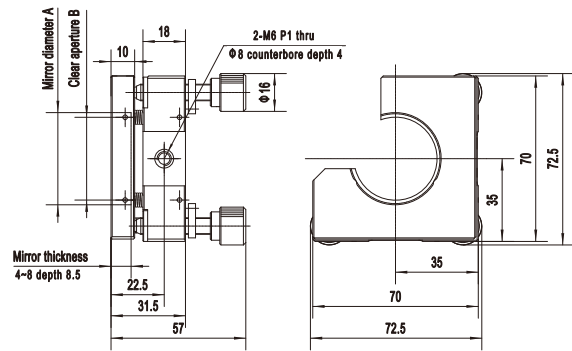
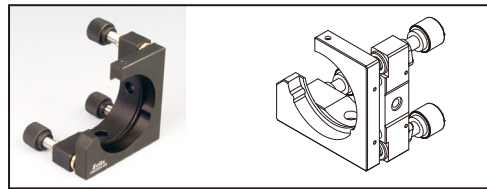
OMHS12.7/20/25/30-BS



OMHS38.1/50-B



OMHS38.1/50-BS



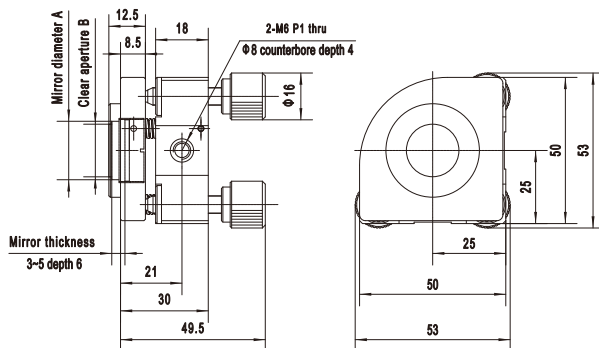
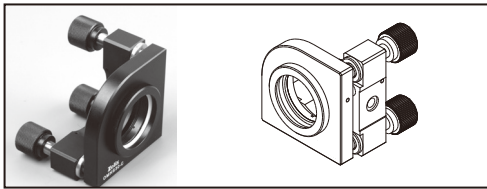
**Selection table:**

Model	OMHS12.7-C(S)	OMHS20-C(S)	OMHS25-C(S)	OMHS25.4-C(S)	OMHS30-C(S)	OMHS38.1-C(S)	OMHS50-C(S)	OMHS50.8-C(S)
Optic Size A(mm)	Ø12.7	Ø20	Ø25	Ø25.4	Ø30	Ø38.1	Ø50	Ø50.8
Optic Edge Thickness(mm)	3~5				4~8			
Angular Range(°)	±3							
Travel Range(Z axis)(mm)	MAX6							
Clear Aperture B(mm)	Ø11	Ø18	Ø23	Ø23	Ø28	Ø35	Ø47	Ø47
Optical Axis Height(mm)	25	25	25	25	27.5	35	35	35
Resolution: angular adjustment per revolution(°)	≈0.39	≈0.39	≈0.39	≈0.39	≈0.39	≈0.25	≈0.25	≈0.25
Main Body Material and Surface Treatment	Black anodized aluminium alloy							
Thickness of The Fixed Plate(mm)	18							
Number of Pulling Spring	2					4		
Mounting Hole	M6, Ø8 counter bore							
Net Weight(g)	157 (168)	152 (164)	146 (158)	145 (156)	132 (144)	234 (245)	205 (216)	202 (213)

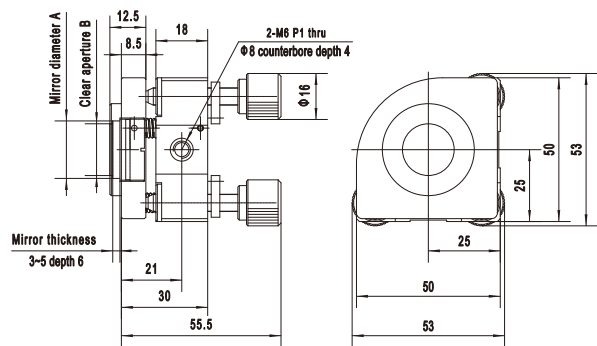
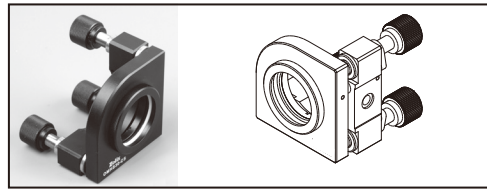
Note: -S is a locking type

**Dimensions:**

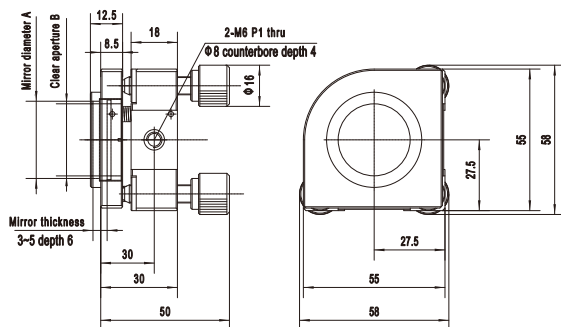
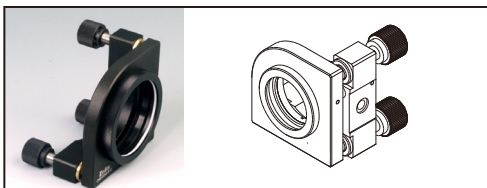
OMHS12.7/20/25/25.4-C



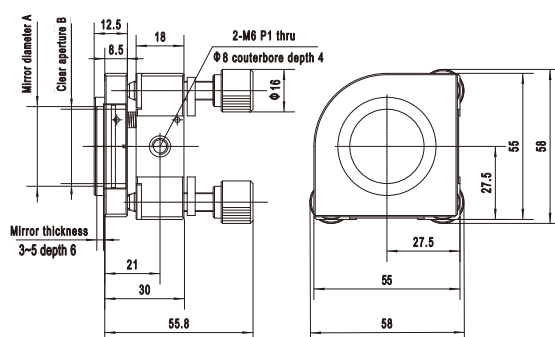
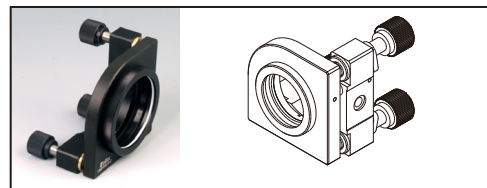
OMHS12.7/20/25.4-CS



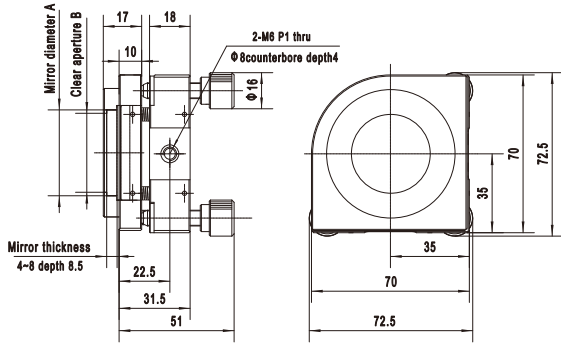
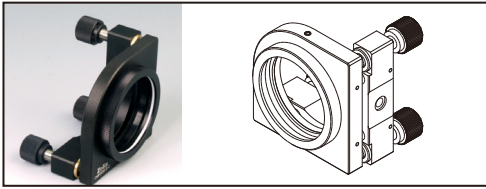
OMHS30-C



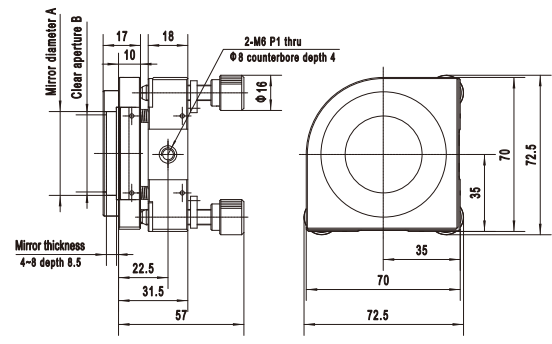
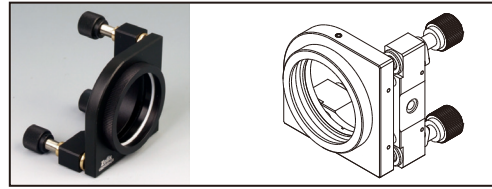
OMHS30-CS



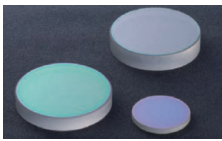
OMHS38.1/50/50.8-C



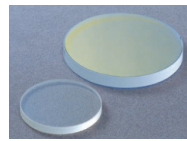
OMHS38.1/50/50.8-CS



**Related Products:**



Mirrors with coating

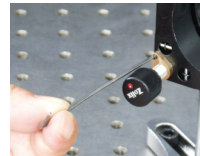


Beamsplitter



Connecting Accessories

**sample:**



locking mechanics



using with post and post holders

**Using the OMHS make the lens array frame**



# NBS Series Periscopes



### Description:

The NBS series is a new beam-turning device designed by Zolix for beam climbing and turning. Made by SUS304, it's composed by PPE post and PPB base, and a PPF clamping fork to achieve a maximum height of 150mm. The clamping fork can be removed to allow this device directly mount on an optical table. The adjustment frame offers 360° rotation and locking function. This device is compatible with SUS, AUS, and NMHS series optical kinematic mounts from Zolix, except the 12.7mm series.

### Naming rule:

## NBS 150-MB

Series code:  
NBS: New beam steer

Maximum lifting height:  
150: 150mm

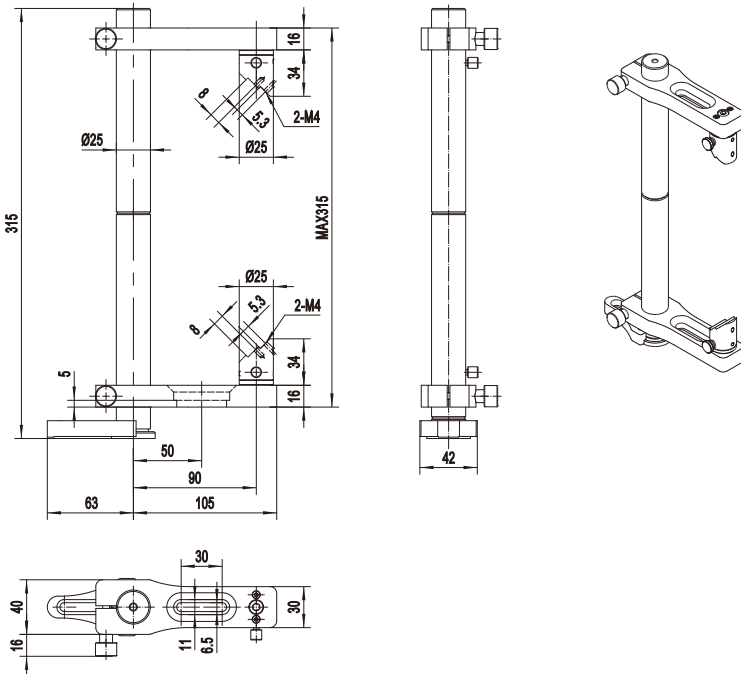
Structure code:  
MB: Main body

### Selection table:

Model	NBS150-MB
Name	new beam steer
Overall Height(mm)	315
Maximum lifting height(mm)	150
Contained product	Adapters and Connectors for kinematic mirror mount 2×PPE150 2×PPB15 2×PPF25
Compatible model	SUS, AUS, NMHS series
Net weight(Kg)	1.75

### Dimensions:

NBS150-MB



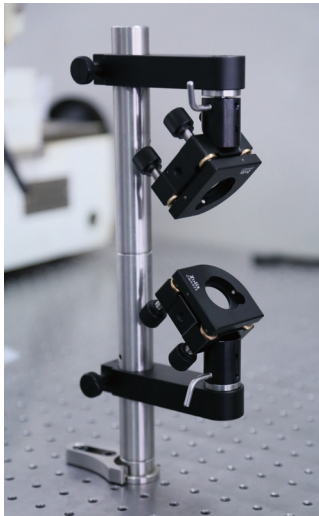
### Related products:



Connecting accessories

# BS Series Laser Beam Periscope

Laser beam periscope reflect the laser beam twice, using for raise the laser beam and change the laser beam directions.



### Brief Introduction:

The BSxx series beam periscope features a lockable 360° rotation function and includes a base (PPB15), clamping fork (PPF25), and post (PPE). By adjusting the number of posts, different heights can be achieved, and the maximum height that can be lifted of the lightpath is 150m. We have designed two models, BSMB150-Max30 and BSMB150-Max50, to accommodate different sizes of kinematic mounts, supporting mounts up to 30mm and 50mm, respectively. We recommend using two pieces of the same series kinematic mounts for easy installation and adjustment. Optimal performance is not guaranteed if the kinematic mounts are not from the Zolix OMHS/OMUS series.

### Selection Table:

Model	Name	Include	Overall Height (mm)	Max Laser Beam Raising Height (mm)
BSMB150-Max30	Laser Beam Steerers 30mm mirror mount Max	Adaptors and Connectors for kinematic mirror mount PPE150×2 PPB15×1 PPF25×1	315mm	150
BSMB150-Max50	Laser Beam Steerers 50/50.8mm mirror mount Max	Adaptors and Connectors for kinematic mirror mount PPE150×2 PPB15×1 PPF25×1	315mm	150

### Related Products:

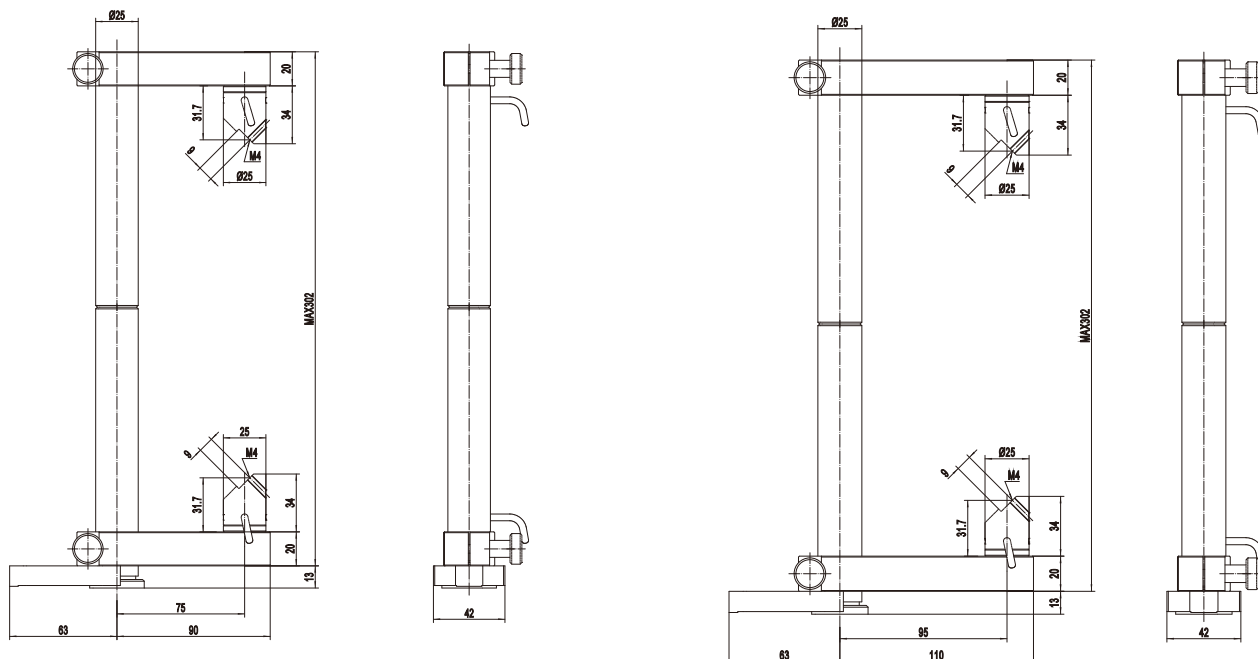


Connecting Accessories

Note: The model doesn't include kinematic mirror mount

### Dimensions:

BSMB150-Max30

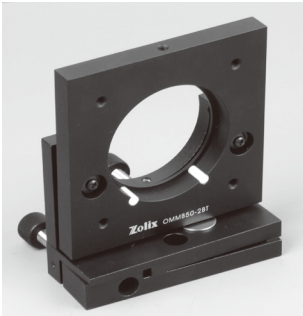


# OMMB Series Coplanar Kinematic Mirror Mounts

AL  
2024



2-Axes



## Description:

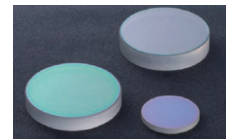
Support 2 axis adjustment:  $\theta X$ ,  $\theta Z$  axis.

The OMMB series mirror base adopts a coplanar adjustment (universal adjustment) design. The pitch and yaw rotation axes are orthogonal to the center of the optic. When the optic is adjusted, its center does not change. The adjustment screws are M6X0.25 fine thread screws with inserts and disc reducers.

## Selection table:

Model	OMMB50-2BT	OMMB80-2BT	OMMB100-2BT	OMMB102-2BT
Optic Size(mm)	Ø50	Ø80	Ø100	Ø102
Clear Aperture(mm)	48	75	95	97
Overall width(mm)	84	110	130	132
Optical Axis Height(mm)	60	75	85	86
Overall Height(mm)	102	128.5	146.5	151.5
Angular Range(°)	±2.5			
Locking Mechanism	None			
Reset mechanism	Disc spring			
Mounting Hole(mm)	M6	Ø7.5 counter bore, 2×Ø11 counter bore		

## Related products:



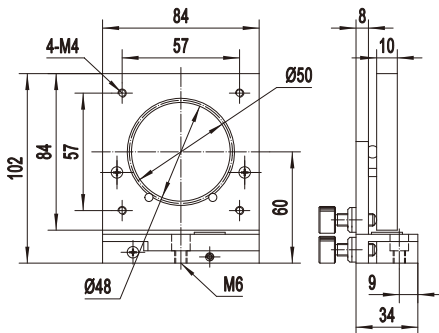
Metal film reflector, dielectric film reflector



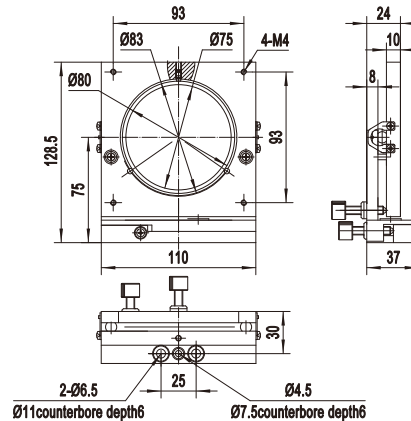
Connecting accessories

## Dimensions:

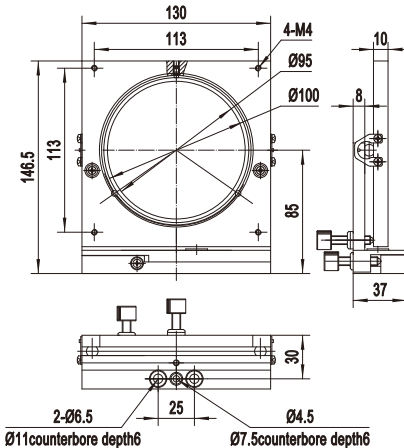
### OMMB50-2BT



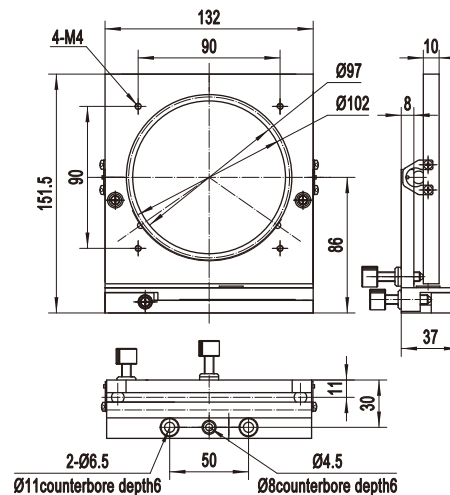
### OMMB80-2BT



### OMMB100-2BT



### OMMB102-2BT



# NMUM Series Five-Axis Kinematic Mirror Mounts



## Description:

NMUM series five-axis adjustment frame is a new five-axis special adjustment frame developed by Zolix. The main material of this series is high quality aluminum alloy. On the premise of ensuring stability, the center position and focus position of the lens can be adjusted according to the optical axis, with high stability and sensitivity, which is suitable for high-precision adjustment.

## Features:

- Accomodate to 5 axes adjustment: X, Y, Z,  $\theta X$ ,  $\theta Y$  axis.
- High-quality black anodized aluminum alloy.
  - ①3-axis precision positioning + 2-axis universal Angle adjustment
  - ②Uniform tensile force distribution, stable structure
  - ③The removable bottom plate is suitable for a variety of installation situations
- High sensitivity: 0.2mm pitch ultra-fine thread pair for adjustment, and with a locking mechanism, with higher sensitivity
- Good versatility: universal installation hole, M4, M6 screw can be installed

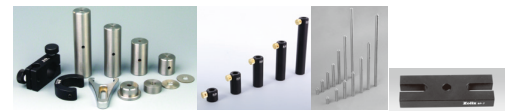
## Naming rule:

# NMUM 25.4

Series code:  
NMUM: Five-Axis  
Kinematic Mirror Mounts

Compatible optic size:  
25.4:  $\phi$  25.4mm  
50.8:  $\phi$  50.8mm

## Related products:



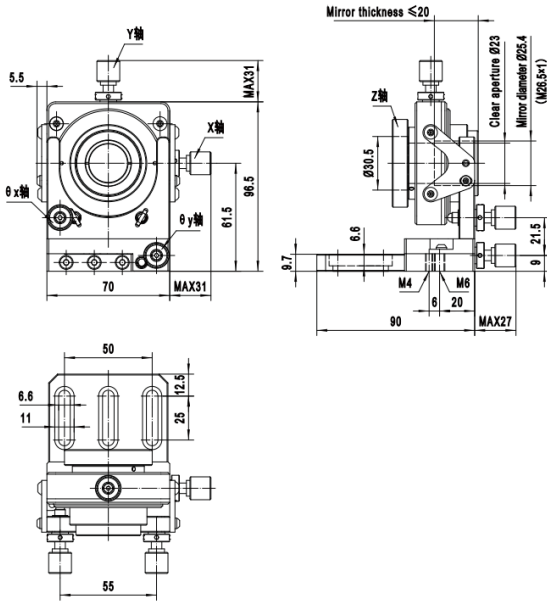
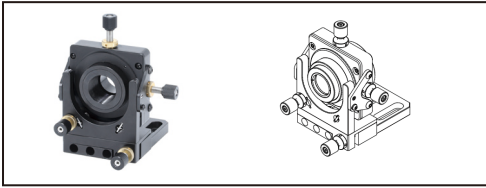
Connecting accessories

## Selection table:

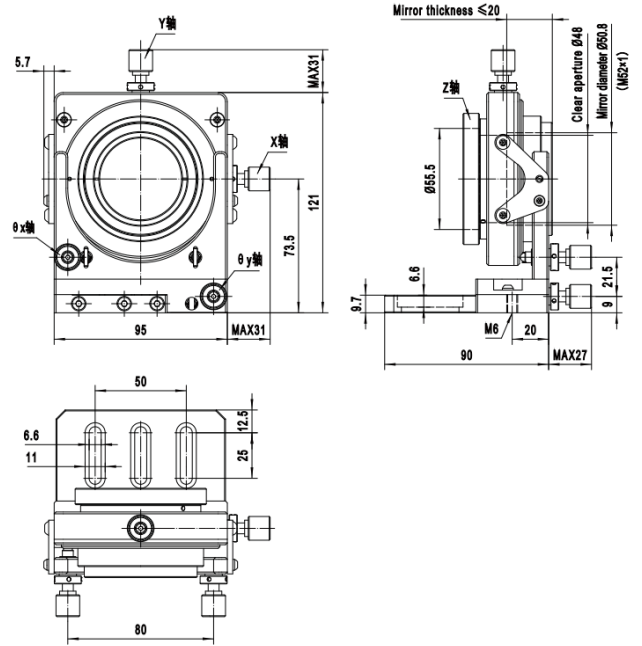
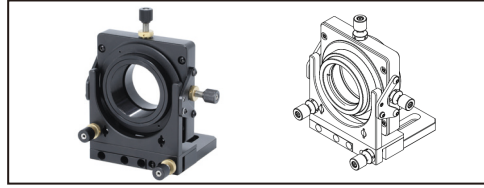
Model	NMUM25.4	NMUM50.8
Optic Size(mm)	$\phi$ 25.4	$\phi$ 50.8
Optic Edge Thickness (mm)	<20	
$\theta x$ , $\theta y$ Angular Range( $^{\circ}$ )	$\pm 5$	
X, Y Axis Travel Range(mm)	$\pm 2.5$	
Z Axis Travel Range(mm)	6	
Clear Aperture(mm)	$\phi$ 23	$\phi$ 47
Optical Axis Height(mm)	61.5	73.5
Main Body Material and Surface Treatment	Black anodized aluminium alloy	
With Locking Mechanics	Yes	
Mounting Hole	M4, M6	M6
Net Weight(g)	650	900

**Dimensions:**

NMUN25.4



NMUM50.8



# MAD Series Kinematic Mirror Adaptor

## MAD25-45MH-xx series 45 Mirror Adaptor



### Brief Introduction:

MAD25-45MH-xx series 45 degree mirror adaptor come with through hole ranging from  $\text{Ø}12.7\text{mm}$  to  $\text{Ø}30\text{mm}$ , which is easy to change the optical path direction, mirror or the beam splitter can be mounted on this adaptor.

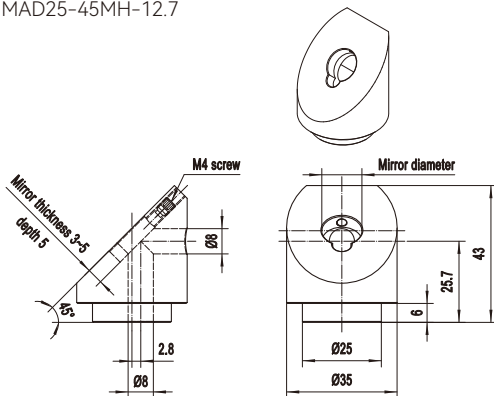
MAD25-45MH-M is a connecting rod with  $\text{Ø}25\text{mm}$  diameter, which can be mounted under mirror mount to rotate mirror mount by  $45^\circ$ . It is also compatible with OMUS/OMHS mirror mount.

### Selection Table:

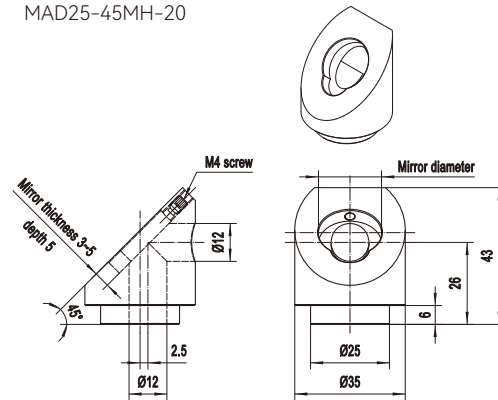
Model	Name	Mirror Size(mm)	Mirror Thick(mm)	Mounting Hole Diameter(mm)
MAD25-45MH-12.7	45 deg Mirror holder	$\text{Ø}12.7$	3~5	$\text{Ø}25$
MAD25-45MH-20	45 deg Mirror holder	$\text{Ø}20$	3~5	$\text{Ø}25$
MAD25-45MH-25	45 deg Mirror holder	$\text{Ø}25$	3~5	$\text{Ø}25$
MAD25-45MH-30	45 deg Mirror holder	$\text{Ø}30$	3~5	$\text{Ø}25$
MAD25-45MH-M	45 deg adaptor for kinematic mirror mount	adaptor for the OMUS/OMHS series kinematic mirror mount		M4 on the top M6 at the bottom

### Dimensions:

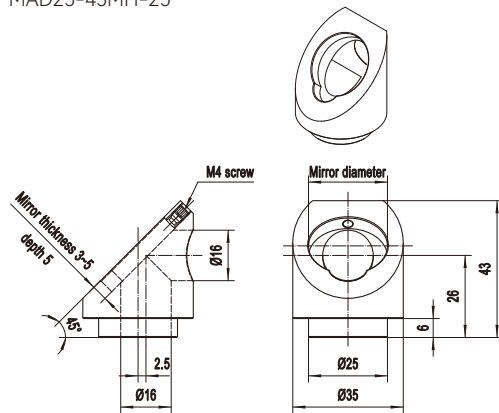
MAD25-45MH-12.7



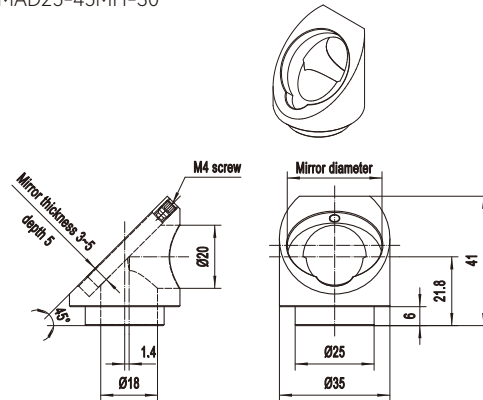
MAD25-45MH-20



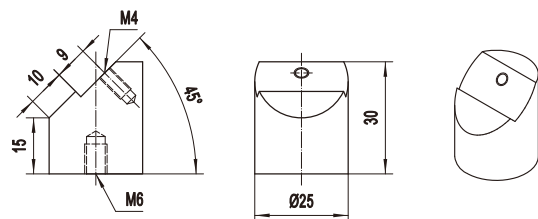
MAD25-45MH-25



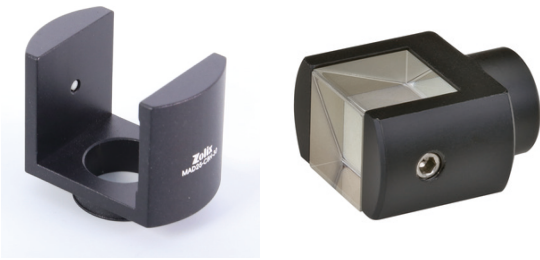
MAD25-45MH-30



MAD25-45MH-M



## MAD25-CBH-xx series Adaptor for Beamsplitter Cube



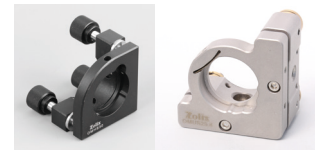
### Brief Introduction:

MAD25-CBH-xx series adaptor allows beamsplitter cube to be mounted on OMUS/OMHS mirror mounts which feature a circular mounting hole.

### Selection Table:

Model	Name	Beamsplitter Cube Size (mm)	Mounting Hole Diameter(mm)
MAD25-CBH-10	beamsplitter cube adaptor	10	Ø25
MAD25-CBH-15	beamsplitter cube adaptor	15	Ø25
MAD25-CBH-20	beamsplitter cube adaptor	20	Ø25
MAD25-CBH-30	beamsplitter cube adaptor	30	Ø25

### Related Products:



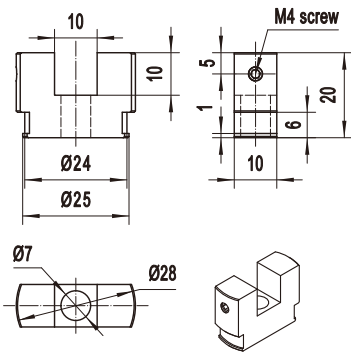
kinematic mirror mount OMHS, OMUS



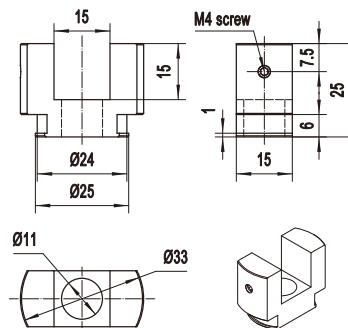
Connecting Accessories

### Dimensions:

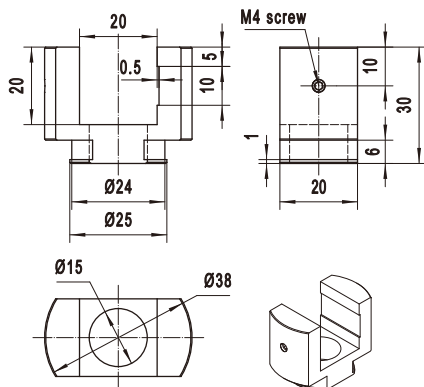
MAD25-CBH-10



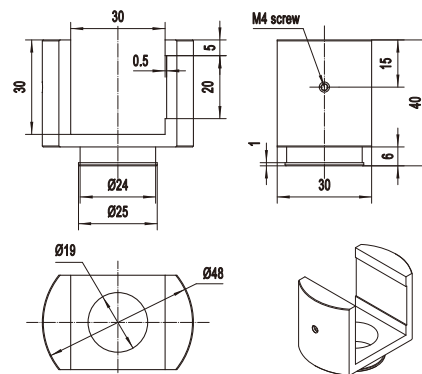
MAD25-CBH-15



MAD25-CBH-20



MAD25-CBH-30



# MAD25-S2C-xx Square Mirror Adaptor



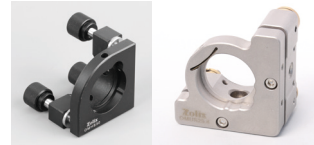
### Brief Introduction:

MAD25-CBH-xx series adaptor allows square mirror to be mounted on OMUS/OMHS mirror mounts which feature a circular mounting hole.

### Selection Table:

Model	Square Mirror Size (mm)	Remommand Mirror Thickness(mm)	Mounting Hole Diameter(mm)
MAD25-S2C-20	20	5	Ø25
MAD25-S2C-25	25	5	Ø25
MAD25-S2C-30	30	5	Ø25
MAD50-S2C-50	50	8	Ø50

### Related Products:



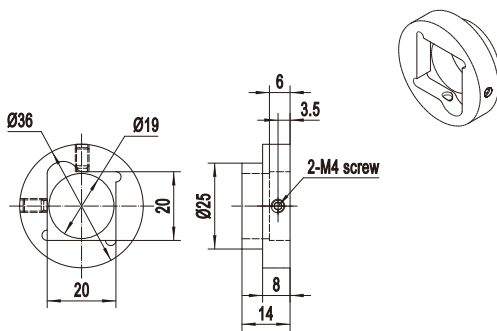
kinematic mirror mount OMHS, OMUS



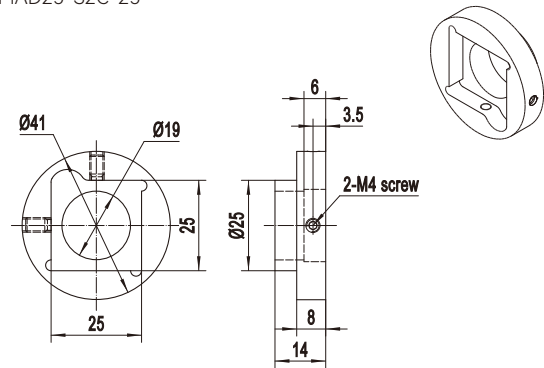
Connecting Accessories

### Dimensions:

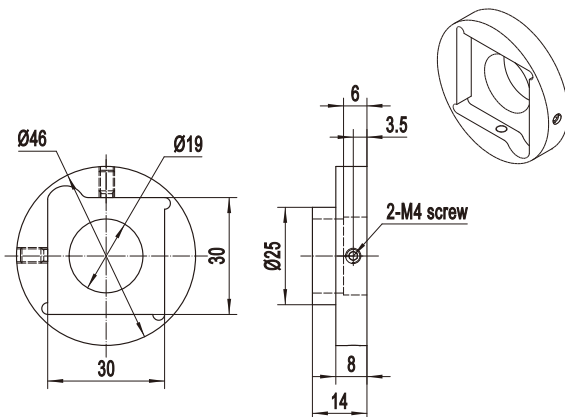
MAD25-S2C-20



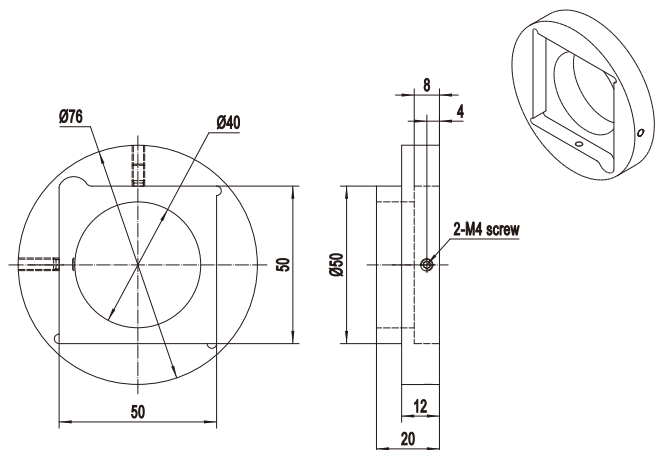
MAD25-S2C-25



MAD25-S2C-30



MAD50-S2C-50



# Laser Mount

## LM Series Laser Mount

Laser machinery systems are widely used in the aerospace, aviation, navigation, automobile, electronics, machinery and other industries, especially in the cutting, welding, machining and marking industry etc.

**Typical Nd: YAG laser based laser machinery system picture as below:**

- Well designed locking units for harsh transport conditions. Which is a effective way to protect precision mirror mount from damage during transportation.



LM20-2 Front/Rare Mirror Kinematic Mount



LM20-2B Front/Rare Mirror Kinematic Mount with dust cover



LM20-PH-XY Iris Diaphragm Kinematic Mount



LM20-2-Q Q-switch Kinematic Mount



LM20-4-LBE 4 axis Laser Beam Expander Kinematic Mount

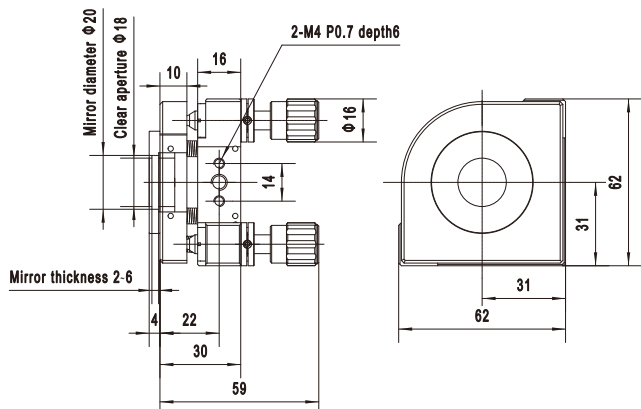


LM20-4-LD 4 axis Red Guiding Laser Kinematic Mount

### LM20-2 Front/Rare Mirror Kinematic Mount

#### Specifications:

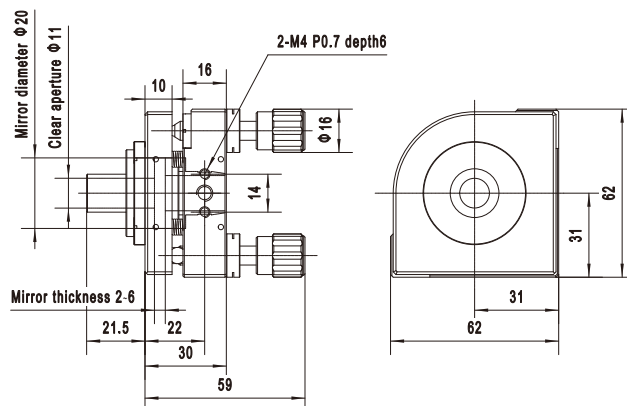
Optics size:  $\varnothing 20\text{mm}$ , Clear Aperture:  $\varnothing 18\text{mm}$ ,  
Adjustment Angle Range:  $\pm 3^\circ$



### LLM20-2B Front/Rare Mirror Kinematic Mount with dust cover

#### Specifications:

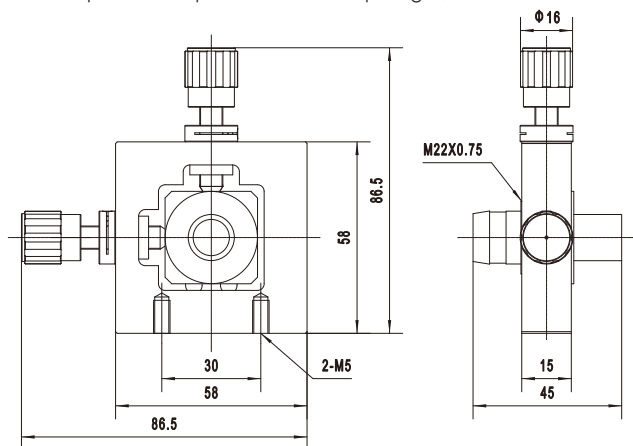
Optics Size: 20mm Diameter;  
dust cover inner diameter 12mm;  
Clear Aperture 11 mm; Adjustment Angle Range  $\pm 3^\circ$ ;



### LM20-PH-XY pinhole aperture mount

#### Specifications:

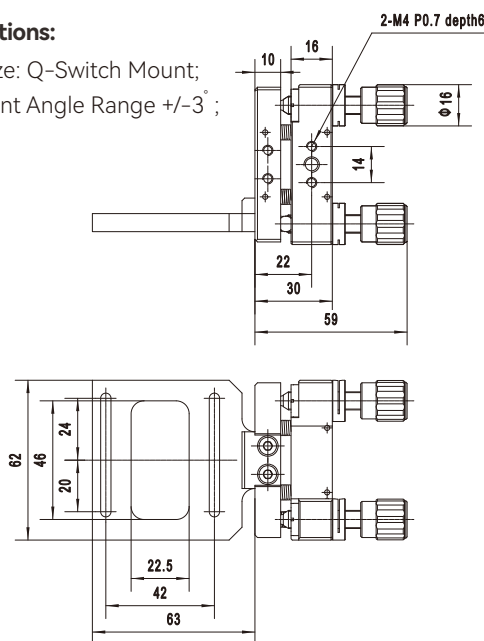
Mounting Hole: 20mm Diameter; XY Adjustment Range  $\pm 2\text{mm}$ ;  
Clear Aperture Depends on Iris Diaphragm;



### LM20-2-Q Q-switch Kinematic Mount

#### Specifications:

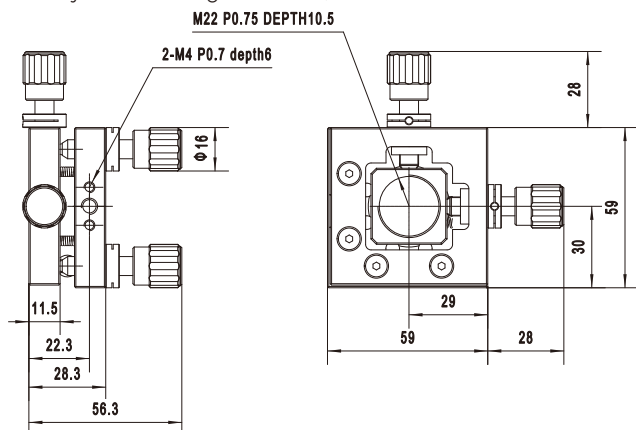
Optics Size: Q-Switch Mount;  
Adjustment Angle Range  $\pm 3^\circ$ ;



### LM20-4-LBE 4 axis Laser Beam Expander Kinematic Mount

#### Specifications:

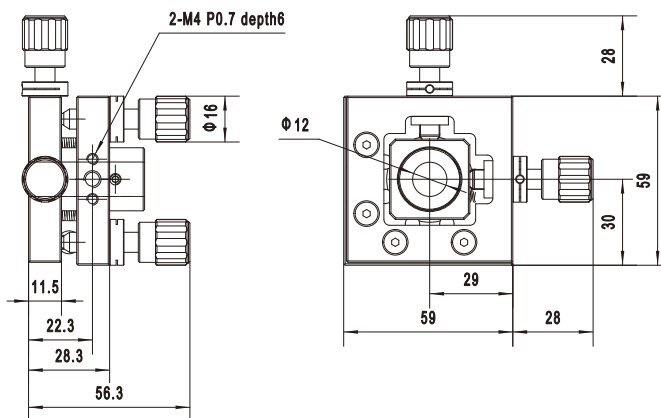
Mounting Hole: M22  $\times$  0.75; Adjustment Angle Range  $\pm 3^\circ$ ;  
XY Adjustment Range  $\pm 2\text{mm}$ ;



### LM20-4-LD 4 axis Red Guiding Laser Kinematic Mount

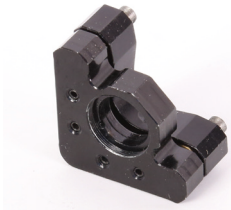
#### Specifications:

Mounting Hole: 12mm dia length  $\geq 20\text{mm}$ ; XY  
Adjustment Range  $\pm 2\text{mm}$ ; Adjustment Angle Range  $\pm 3^\circ$ ;



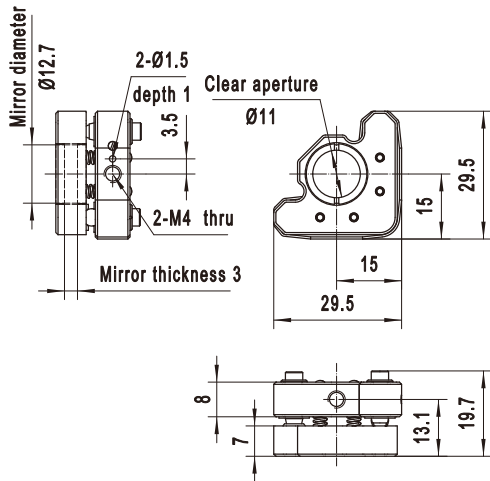
# MM Series Small Industrial Kinematic Mount

## MM12.7-2



### Specifications:

MM series is designed for small lasers  
 Optics size: 12.7mm dia,  
 Adjustment Angle Range  $\pm 3^\circ$   
 inner-hexagonal adjustment

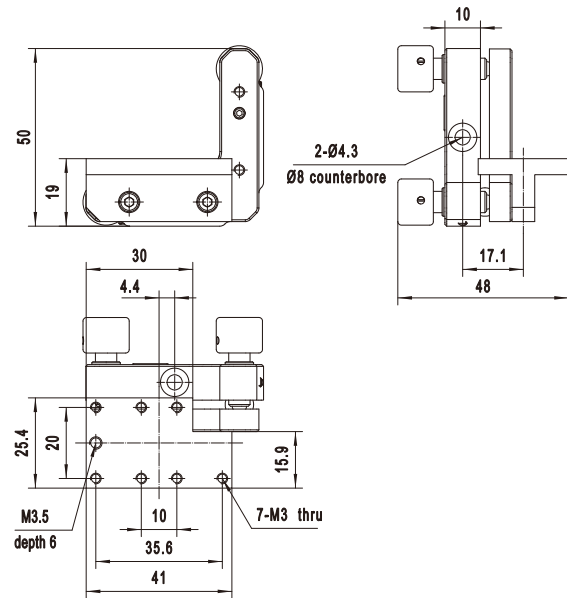


## MM-Q-2H



### Specifications:

Q-Switch Mount Plate  
 Adjustment Angle Range  $\pm 3^\circ$   
 Thumb Wheel Thread adjustment

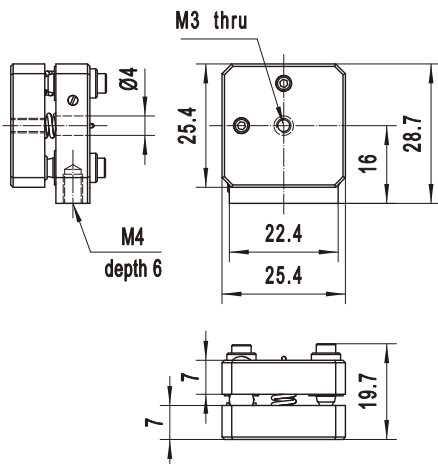


## MM-T-2



### Specifications:

Stick up to 20mm Dia. Mirror  
 Adjustment Angle Range  $\pm 3^\circ$   
 inner-hexagonal adjustment



# Kinematic Lens Mount

The lens kinematic mount usually only has the function of two-dimensional linear adjustment in the radial direction of the lens, but without the function of angle adjustment. If the coaxiality of the lens is required, the coaxial lens kinematic mount or the kinematic mount with the function of axial displacement will be a good option. In terms of lens installation, open type and retaining ring type are normal.

## NL Series Kinematic Lens Mount



### Brief Introduction:

NL series kinematic mounts are widely used for 2D adjustment(radial direction of lens) and 3D adjustment(with extral axial direction).

### Features:

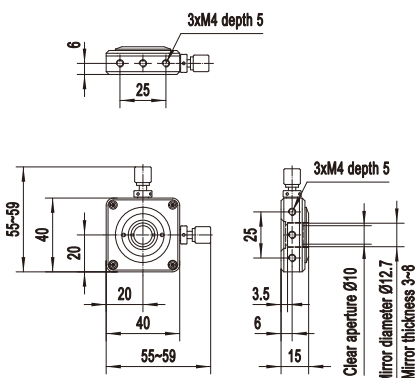
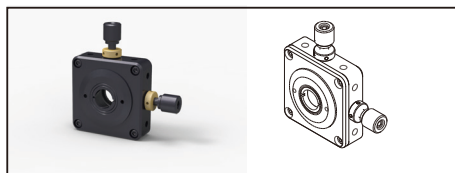
- High-quality materials: The main body is made of high-quality aluminium alloy, and the surface treated by black anodic oxidation.
- Advanced structure:
  - ①Position held by elastic press ring, avoid the cross-impact of the two axis adjustment
  - ②Well calculated spring force more smooth in translation and stable.
  - ③Come with a scriber, the center of the lens can be easily identified
- High sensitivity: X andY axes with 0.2 mm pitch super-fine screw; Z-axis features
- Universal mounting holes: M4, M6 screw holes

### Selection Table:

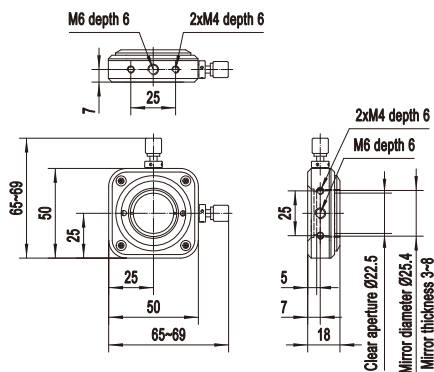
Model	NLXY12.7	NLXY25.4	NLXY50.8	NLXYZ12.7	NLXYZ25.4
Optic Size (mm)	Ø12.5/Ø12.7	Ø25/Ø25.4	Ø50/Ø50.8	Ø12.7	Ø25/Ø25.4
Optics Thickness (mm)	3~8	3~8	3~14	3~8	3~10
Translation Range(mm)	X-axis(radial direction)			±2	
	Y-axis(radial direction)			±2	
	Z-axis(axial direction)	/		±2	
Clear Aperture (mm)	Ø10	Ø22.5	Ø46	Ø10	Ø22.5
Optic Center Height (mm)	20	25	40	25	40
XY direction displacement by rotating screw per revolution(mm)	0.2				
Z direction displacement by rotating screw per revolution(mm)	/			0.5	
Main Body Material and Treatment	aluminium alloy, surface treated by black anodic oxidation.				
Overall Thickness (mm)	15	18	25	MAX27.5	MAX38.5
Locking Mechanics	Yes				
Mounting Hole	M6, 2M4				
Net Weight (g)	70	95	280	120	415

**Dimensions:**

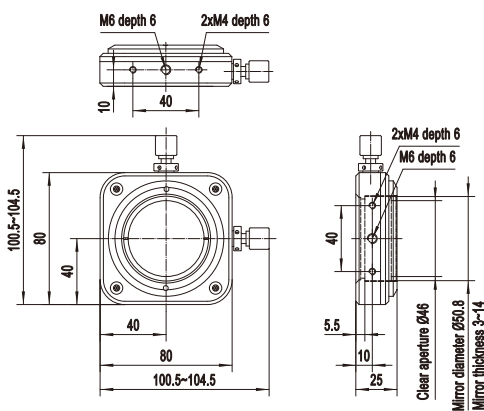
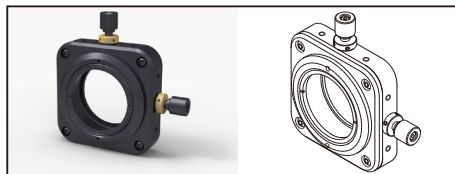
NLXY12.7



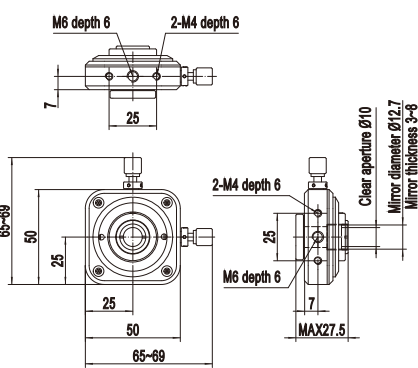
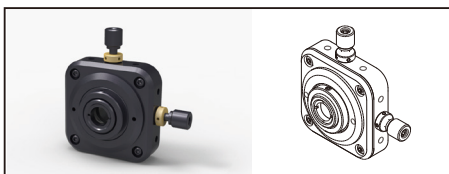
NLXY25.4



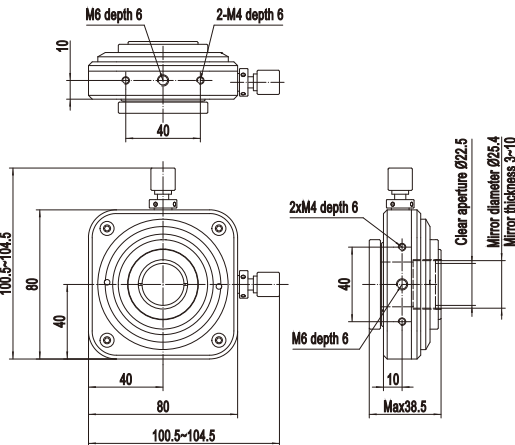
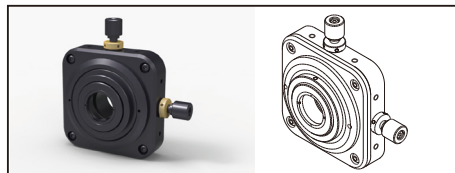
NLXY50.8



NLXYZ12.7



NLXYZ25.4



**Related Products:**



Lenze



Connecting Accessories

# NLB Series Lens Mount

AL  
2024



### Brief Introduction:

NLB series lens mount with classic shape and simplified structure, without adjustment in any direction. It can be used to install lens in size ranging from  $\varnothing 10$  to  $\varnothing 50.8$ mm. Cost-effective option!

### Features:

- Lens size covers 10–50.8mm diameter come with teflon retaining ring for soft protection.

### Selection Table:

Model	Clear Aperture A (mm)	Optics Size B (mm)	Optics Thickness C (mm)	Optic Center Height H (mm)	Overall Height L (mm)	Overall thickness T (mm)	D (mm)	W1 (mm)	W2 (mm)	Mounting Hole
NLB10	$\varnothing 7$	$\varnothing 10$	3~5	14	24.5	9	18	6	10	M6
NLB12.7	$\varnothing 10$	$\varnothing 12.7$	3~5	14	25.5	9	20	6	10	
NLB15	$\varnothing 12$	$\varnothing 15$	3~5	16	29	9	22	6	12	
NLB20	$\varnothing 17$	$\varnothing 20$	3~8	20	36	12	28	6	12	
NLB25	$\varnothing 22$	$\varnothing 25$	3~8	20	38	12	33	6	12	
NLB25.4	$\varnothing 22.5$	$\varnothing 25.4$	3~8	20	38	12	33	6	12	
NLB30	$\varnothing 26$	$\varnothing 30$	3~8	25	46	12	38	6	12	
NLB35	$\varnothing 31$	$\varnothing 35$	3~8	25	48.5	12	43	6	16	
NLB38.1	$\varnothing 34$	$\varnothing 38.1$	3~8	30	55	12	46	6	16	
NLB40	$\varnothing 36$	$\varnothing 40$	3~8	30	56	12	48	6	16	
NLB50	$\varnothing 46$	$\varnothing 50$	3~10	35	66.5	14	58	6	16	
NLB50.8	$\varnothing 46$	$\varnothing 50.8$	3~10	35	67	14	59	6	16	

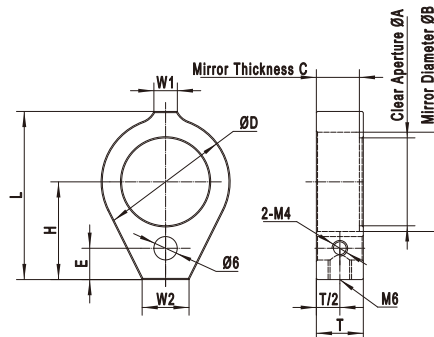
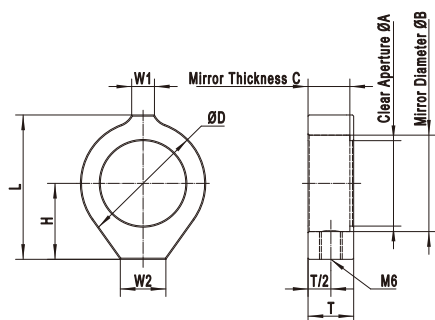
Model	Clear Aperture A (mm)	Optics Size B (mm)	Optics Thickness C (mm)	Optic Center Height H (mm)	Overall Height L (mm)	Overall thickness T (mm)	D (mm)	E (mm)	W1 (mm)	W2 (mm)	Mounting Hole
NLB12.7-B	$\varnothing 10$	$\varnothing 12.7$	3~5	25	36.5	9	20	8	6	13	M6
NLB20-B	$\varnothing 17$	$\varnothing 20$	3~8	25	41	12	28	8	6	12	
NLB25-B	$\varnothing 22$	$\varnothing 25$	3~8	25	43	12	33	8	6	12	
NLB25.4-B	$\varnothing 22.5$	$\varnothing 25$	3~8	25	43	12	33	8	6	12	
NLB30-B	$\varnothing 26$	$\varnothing 30$	3~8	40	61	12	38	10	6	12	
NLB38.1-B	$\varnothing 34$	$\varnothing 38.1$	3~8	40	65	12	46	10	6	16	
NLB50-B	$\varnothing 46$	$\varnothing 50$	3~10	40	71.5	14	58	10	6	16	
NLB50.8-B	$\varnothing 46$	$\varnothing 50.8$	3~10	40	72	14	59	10	6	16	

### Dimensions:

NLBxx



NLBxx-B



### Related Products:



Lenze Alignment Targets



Connecting Accessories

# OMLS Series Self-Centering Lens Mount

AL  
2024



## Brief Introduction:

The OMLH series lens holder can be used to secure a variety of different diameter lenses, and the size is continuous rather than fixed size. This product is suitable for occasions where lenses are changed often.

## Features:

- High-quality materials: The main body is made of high-quality aluminium alloy, and the surface treated by black anodic oxidation.
- Self-centering function, three attach point hold the lens, the pulling spring hold the self-centering position automatically.
- Universal: Lens size cover 5-102mm diameter
- Custom designed 2D-3D self-centering kinematic lens mount also available

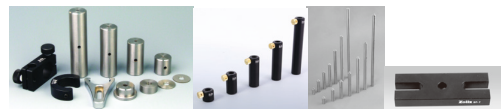
## Selection Table:

Model	OMLS50-1	OMLS76-1	OMLS102-1
Optic Size (mm)	Ø5~Ø50	Ø5~Ø76	Ø5~Ø102
Max Clear Aperture A (mm)	Ø46	Ø72	Ø100
Outline Diameter (mm)	Ø70	Ø102	Ø140
Optic Center Height (mm)	34.5	50.5	69.5
Overall Height(mm)	88.5	121.4	159.3
Main Body Material and Treatment	aluminium alloy, surface treated by black anodic oxidation.		
Overall Thickness (mm)	19	30	30
Number of Pulling Spring	2		
Mounting Hole	M6		
Net Weight (g)	85	198	355

## Related Products:



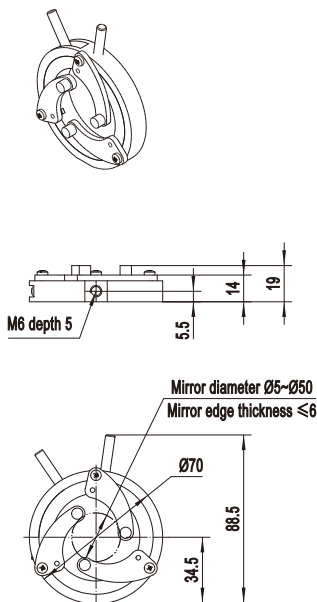
Lense



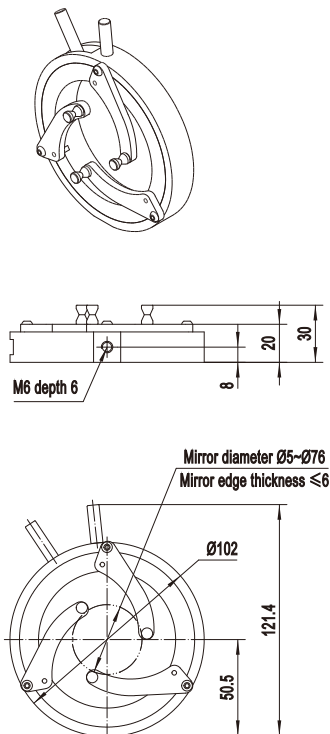
Connecting Accessories

## Dimensions:

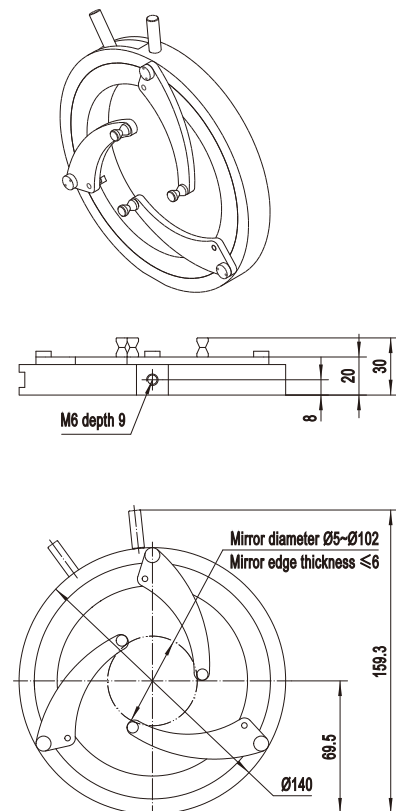
OMLS50-1



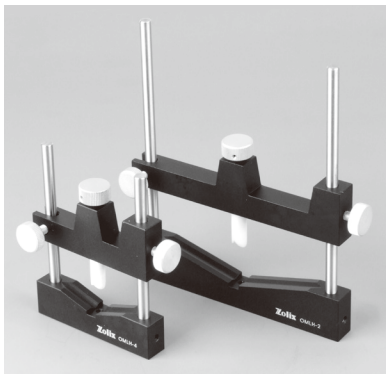
OMLS76-1



OMLS102-1



# OMLH Series Lens Mount



## Brief Introduction:

The OMLH series lens holder can be used to secure a variety of different diameter lenses, and the size is continuous rather than fixed size. This product is suitable for mounting lens with thin edge (such as flat convex lens, double convex lens, etc.)

## Features:

- High-quality materials: The main body is made of high-quality aluminium alloy, and the surface treated by black anodic oxidation.
- Adjustment mechanics suit for 5-75mm or 10-100mm diameter lens
- An teflon V-type chunk which can be pulled up and 360 degree rotate can fit the lens size and shape, the internal spring offer the press to hold the lens.
- Stable: V-shape slot hold the lens with the locking nob on the side
- Universal mounting holes: With both M4, M6 screw holes

## Operate Instruction:

First, loosen the locking thumb wheel, move the upper movable block to the appropriate position, then slightly lock, pull the clip button, put the lens on, loosen the clip button, clamp the lens. If the elasticity of the chuck is inappropriate, the movable block can be slightly moved and then lock the lens with thumb wheel.

## Selection Table:

Model	OMLH-2	OMLH-3	OMLH-4
Optic Size (mm)	Ø10~Ø100	Ø5~Ø75	Ø5~Ø50
Optics Thickness (mm)	≤6		
Overall Height(mm)	151	128	100
Overall Width (mm)	138	113	87
Overall Thickness (mm)	27		
Main Body Material and Treatment	aluminium alloy, surface treated by black anodic oxidation.		
Mounting Hole	M4, 2M6		
Net Weight (g)	250	200	150

Note: The thickness means edge thickness

## Related Products:



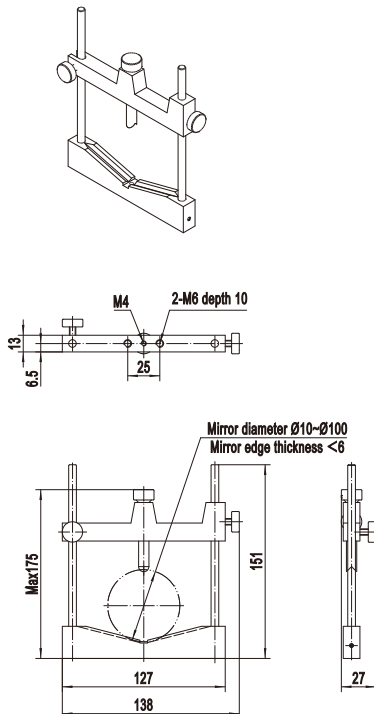
Lenze



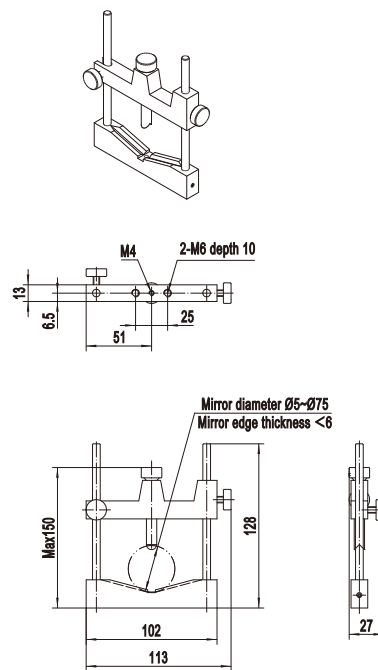
Connecting Accessories

## Dimensions:

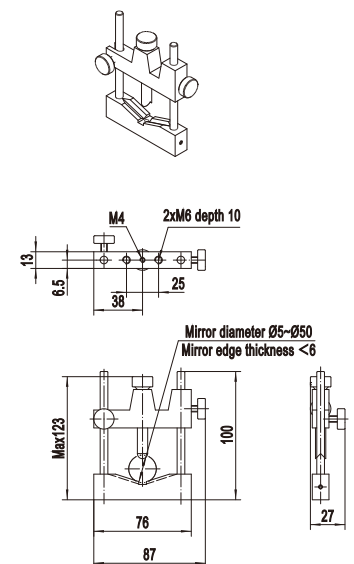
OMLH-2



OMLH-3



OMLH-4



# OMLH-Z Series Optical Mount for Cylindrical Lens



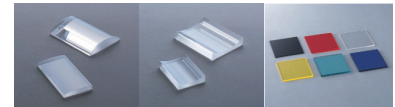
## Brief Introduction:

OMLH-Z series products are particularly suitable for clamping cylindrical or square lenses. The product uses four spring design, and has tilt, tip function. The top and bottom are equipped with teflon gasket, which can effectively prevent lens from edge damage. Meanwhile, this mount adopts M6x0.25 fine thread, with high sensitivity.

## Selection Table:

Model	OMLH-Z	OMLH-Z10
Optics Height(mm)	≤54	≤65
Optics Thickness (mm)	1~6	1~10
Adjustment Angle Range (°)	±3	
Resolution: angular adjustment per revolution (°)	≈0.28	
Main Body Material and Treatment	aluminium alloy, surface treated by black anodic oxidation.	
Fixed Plate Thickness(mm)	17	
Number of Pulling Spring	4	
Mounting Hole	M6, sink holeØ8	
Net Weight (g)	175	216

## Related Products:



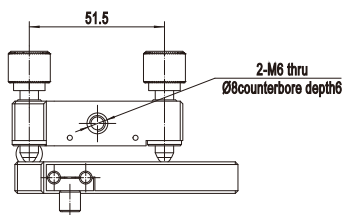
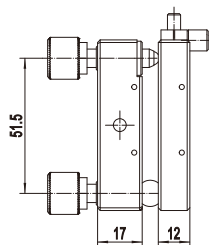
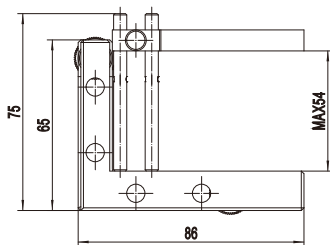
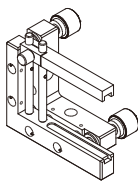
Cylindrical Lens, Square Lens



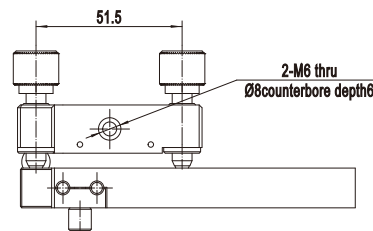
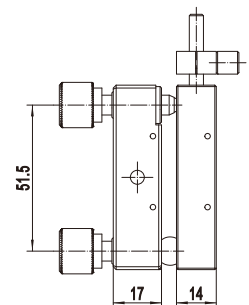
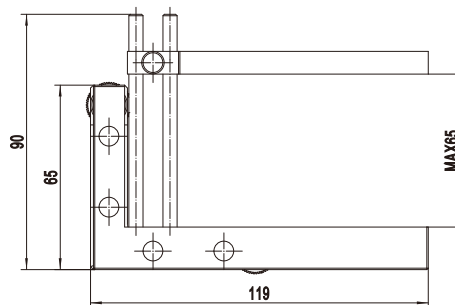
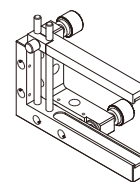
Connecting Accessories

## Dimensions:

### OMLH-Z



### OMLH-Z10



# Kinematic Mount for Polarization Components

## NMPO Series Kinematic Mount for Polarization Components



### Description:

NMPO series is a new polarizer mount developed by Zolix. This series of products is mainly made of high-quality aluminum alloy, which is stable, reliable, and highly sensitive. It is suitable for 12.7~Ø30mm polarizing elements.

### Features:

- High quality aluminum alloy, black anodized surface treatment, effectively prevent stray light.
- Three 0.2mm pitch fine screw for adjustment, with higher sensitivity.
- With universal mounting hole, M4, M6 size.

### Naming rule:

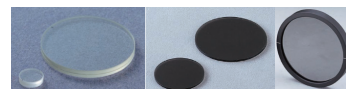
## NMPO 25.4-R

NMPO: Polarized mount

Optics Diameter:  
12.7:  $\phi$  12.7Mm  
25.4:  $\phi$  25.4Mm  
30:  $\phi$  30mm

R:  $\theta$  Z  
3A:  $\theta \times \theta y \theta$  Z  
P3A:  $\theta \times \theta y \theta$  Z

### Related products:



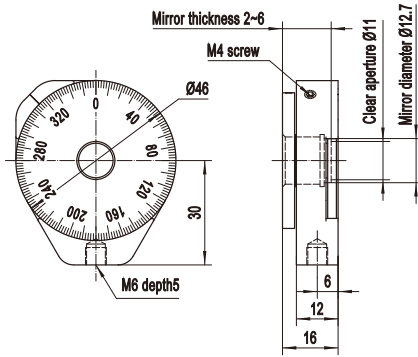
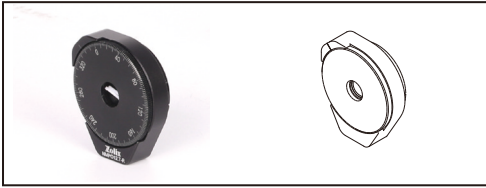
Connecting accessories

### Selection table:

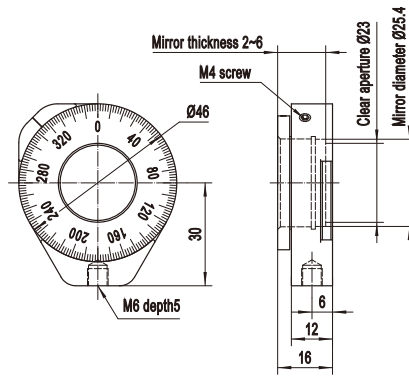
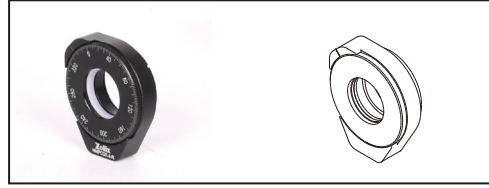
Model	NMPO12.7-R	NMPO12.7-3A	NMPO25.4-R	NMPO25.4-3A	NMPO25.4-P3A	NMPO30-R	NMPO30-3A	NMPO30-P3A
Optic Size(mm)	Ø12.7		Ø25.4			Ø30		
Optic Edge Thickness(mm)	2~6		2~6			2~8		
Clear Aperture A(mm)	Ø11		Ø23			Ø27		
Optical Axis Height C(mm)	30	35	30	35	35	35	40	40
Overall Height D(mm)	53	58	53	58	58	62	67	67
$\theta$ Z Angular Range(°)	360							
$\theta$ x, $\theta$ y Angular Range(°)	/	±3	/	±3		/	±3	
Resolution: angular adjustment per revolution(°)	/	≈0.26	/	≈0.26		/	≈0.22	
Minimum reading scale(°)	2							
Main Body Material and Surface Treatment	Black anodized aluminium alloy							
Mounting Hole	M6	M6, counter boreØ8	M6	M6, counter boreØ8		M6	M6, counter boreØ8	
Net Weight(g)	75	170	60	155	175	80	205	215

**Dimensions:**

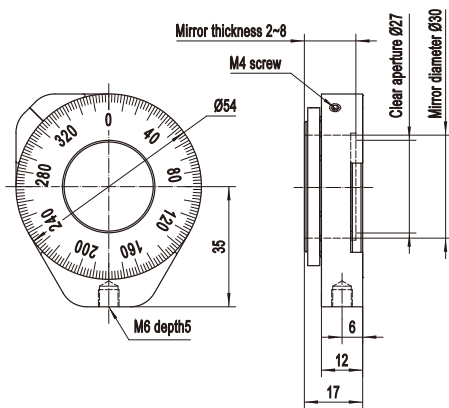
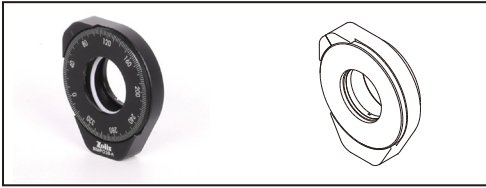
NMPO12.7-R



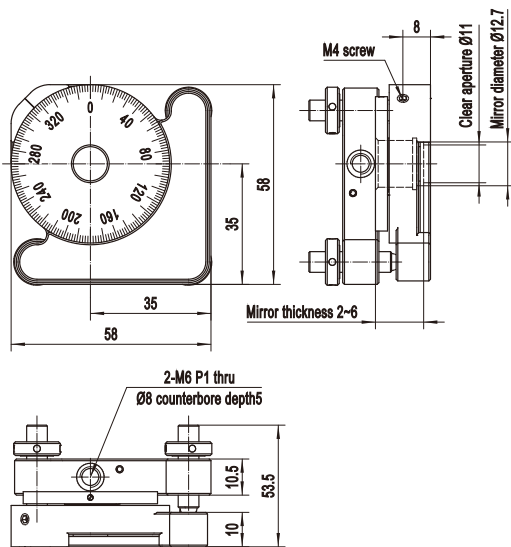
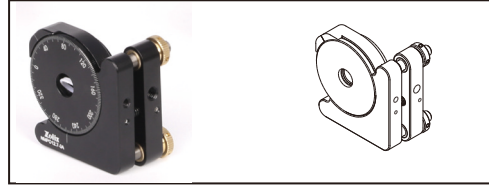
NMPO25.4-R



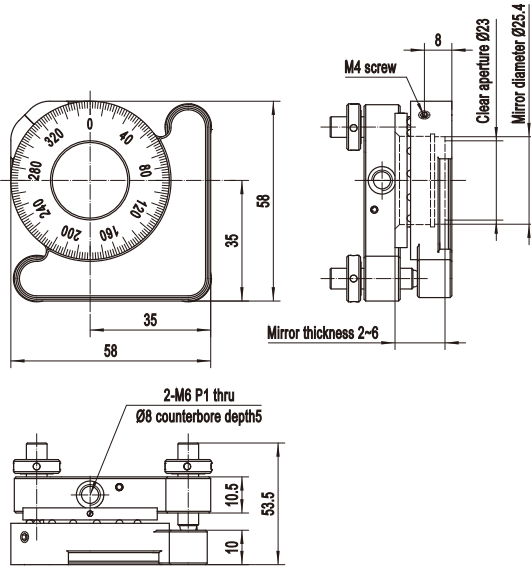
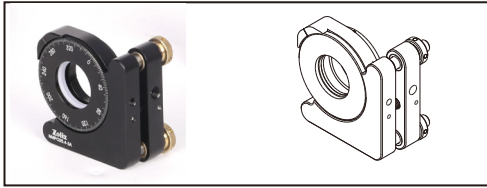
NMPO30-R



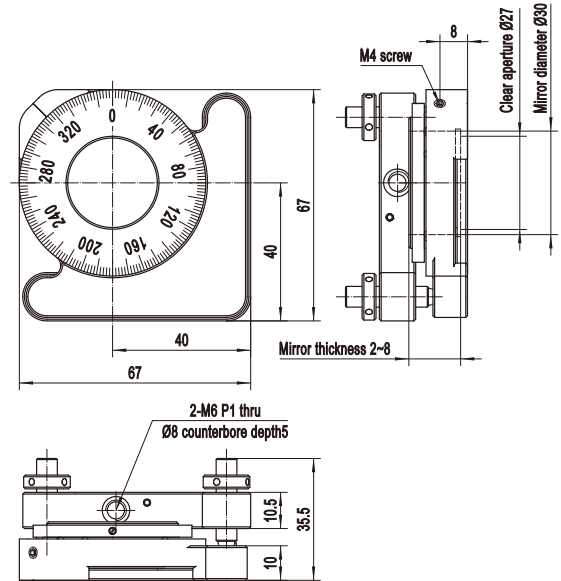
NMPO12.7-3A



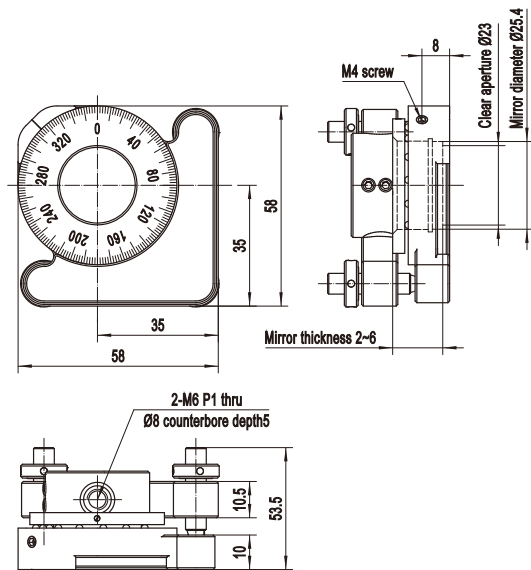
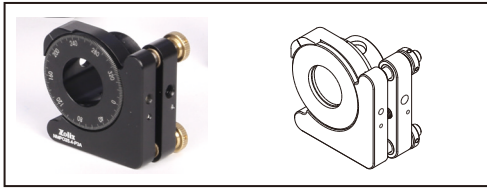
NMPO25.4-3A



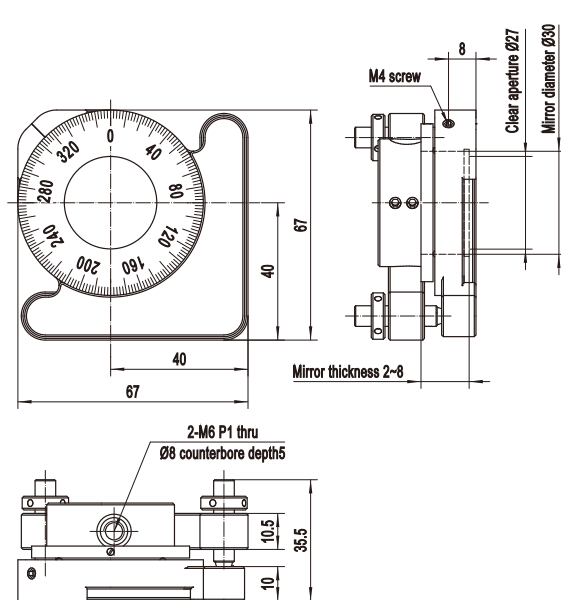
NMPO30-3A



NMPO25.4-P3A



NMPO30-P3A



# Filter Wheel and Filter Mount

Filter is an optical device used to select the required radiation band. It is widely used in surveillance system, medical equipment, optical detection, optical instruments, digital cameras and other fields.

## NF Series Filter Mount



### Brief Introduction:

NF series filter mount is designed for all kinds of filters, like circle filter and square filter.

### Features:

- High-quality materials: The main body is made of high-quality aluminium alloy, and the surface treated by black anodic oxidation.
- Advanced structure:
  - ① Smoothly adjustment by adopting grind screw.
  - ② Optics is secured by soft nylon ball, which can protect the filter from scratching.
  - ③ Compact and cost effective.
- High stability: Self-locked by the grind worm driver, stable and easy to use
- Universal mounting holes: M4, M6 screw holes

### Selection Table:

Model	NF25.4	NF50.8
Optics Size (mm)	Ø25.4 or 25.4×25.4	Ø50.8 or 50.8×50.8
Optics Thickness (mm)	1~5	1~10
Overall Width (mm)	24	40
Overall Thickness (mm)	30	28
Overall Height(mm)	18	32
Main Body Material and Treatment	aluminium alloy, surface treated by black anodic oxidation.	
Mounting Hole	M4	M6, M4
Weight (g)	20	95

### Related Products:



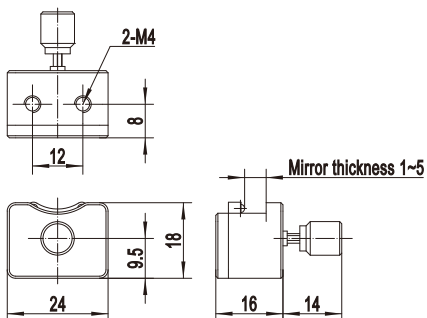
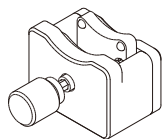
Filters



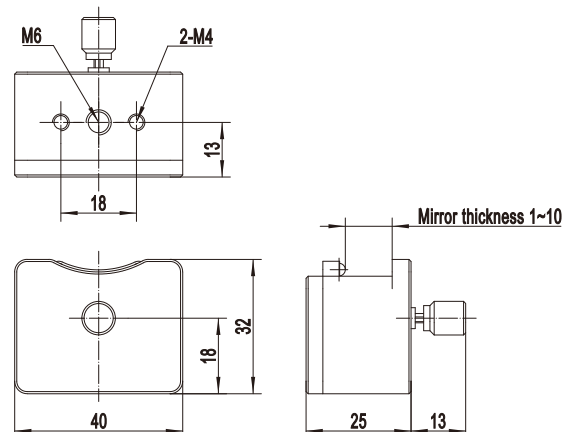
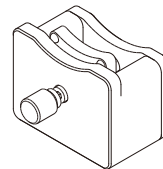
Connecting Accessories

### Dimensions:

NF25.4



NF50.8

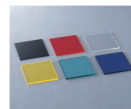


# NFH Series Filter Mount



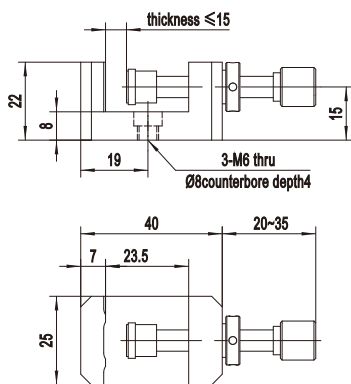
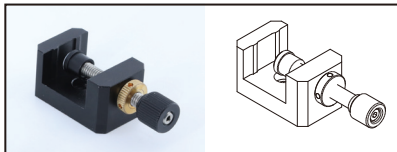
## Selection Table:

Model	NFH15-25	NFH15-75
Optics Thickness(mm)	≤15	
Height(mm)	22	
Pitch(mm)	1	
Lock-Mechanism	yes	
Mounting Hole	M6, CounterboreØ8	
Weight(g)	58	155

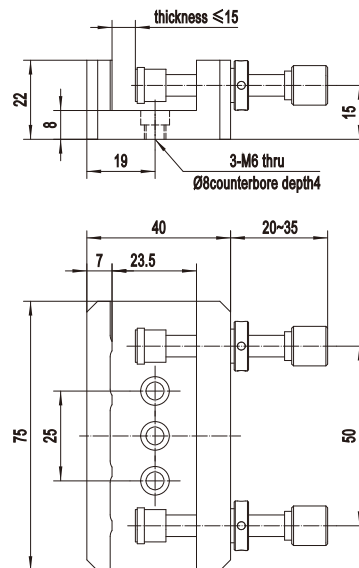
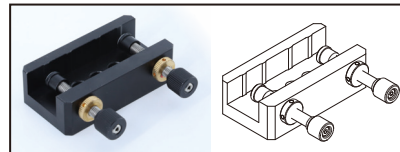


## Dimensions:

NFH15-25



NFH15-75



# OMMB-NDFC50 Series Gradient ND Filter Wheel



## Brief Introduction:

OMMB-NDFC50 filter wheel is especially designed for NDFC50 series gradient ND filter.

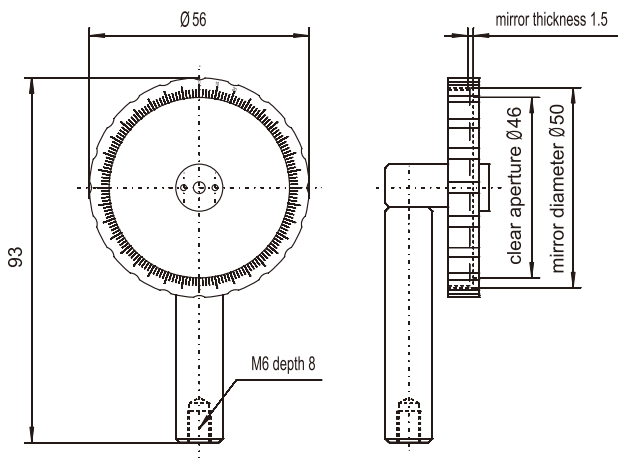
## Features:

- High-quality materials: The main body is made of high-quality aluminium alloy, and the surface treated by black anodic oxidation.
- Advanced structure:
  - ①Retaining ring and teflon soft ring can fix filter without scratching.
  - ②Fixing ring frame has a scale, which corresponds to different attenuation values. ND value can be adjusted quickly.
- Universal mounting: Standard with Ø12mm post, has M6 thread hole at the bottom for extension.

## Selection Table:

Model	OMMB-NDFC50	OMMB-NDFC5010	OMMB-NDFC5020	OMMB-NDFC5030
Include:	ND filter mount without filter	OMMB-NDFC50 × 1 NDFC5010 × 1	OMMB-NDFC50 × 1 NDFC5020 × 1	OMMB-NDFC50 × 1 NDFC5030 × 1
Optical Density(OD)	/	0.0~1.0	0.0~2.0	0.0~3.0
Wavelength Range(nm)	/	400~1000		
Filter Diameter(mm)	/	Ø50		
Optic Center Height (mm)	65			
Overall Height(mm)	93			
Overall Thickness (mm)	26.5			
Main Body Material and Treatment	aluminium alloy, surface treated by black anodic oxidation.			
Mounting Hole	M6			
Net Weight (g)	43	50		

## Dimensions:



## Related Products:



Round Gradient ND Filter



Connecting Accessories

# MFW Series Filter Wheel



## Brief Introduction:

MFW series filter wheel is designed for occasions where filters are changed frequently.

## Features:

- High-quality materials: The main body is made of high-quality aluminium alloy, and the surface treated by black anodic oxidation.
- Advanced structure:
  - ①Mount many filters and fast switch in manually
  - ②Each position has limiting mechanism, which with good resistance even it's changed a lot
  - ③Dual wheel structure suitable for many ND filters combine with many bandpass filters
  - ④Dual locking method fixing the filters
- Universal mounting: M6 mounting thread and  $\varnothing 11$ mm long slot for easy mounting

Model	MFW6-25	MFW12-25
Optic Size (mm)	$\varnothing 25/\varnothing 25.4$	
Optics Thickness (mm)	1~6	
Clear Aperture (mm)	$\varnothing 22$	
Fliter Slot Number	6	12
Optic Center Height (mm)	50	
Overall Width (mm)	82	
Overall Thickness (mm)	44.5	49
Main Body Material and Treatment	aluminium alloy, surface treated by black anodic oxidation.	
Mounting Hole	2×M4 M6, 2×M4	
Net Weight (g)	190	270

## Related Products:



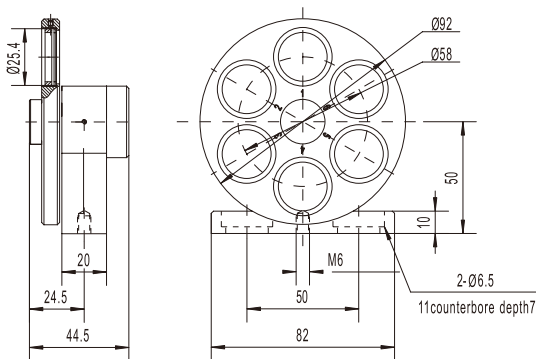
Filters



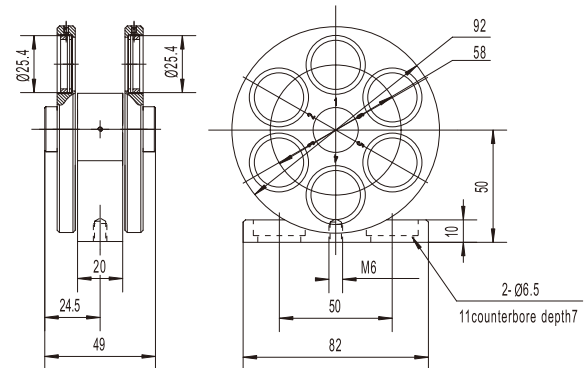
Connecting Accessories

## Dimensions:

MFW6-25

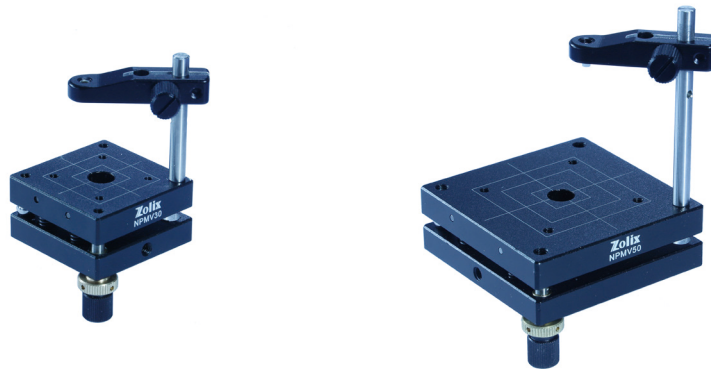


MFW12-25



# Prism/Cylinder Kinematic Mount

## NPMV Series Prism Kinematic Mounts



### Description:

NPMV(New Prism Mount: Vertical) series is a new type prism mount. High-quality aluminum alloy is employed for stable operation and high sensitivity. It supports a variety of prisms with a height of 0~50mm, suitable for fields with higher requirements for adjustment.

### Features:

- Material appearance: the main body material is high quality aluminum alloy, the surface of the black anodized treatment, effectively prevent stray light.
- High stability:
- A point-line-surface structure is adopted to constrain the movement of six degrees of freedom directions, which has excellent adjustment accuracy and stability.
- High sensitivity: the use of two 0.2mm pitch ultra-fine thread pair for adjustment, with higher sensitivity.
- Dual adjustment: standard adjustment hand wheel with hexagonal adjustment hole at the back end, can be adjusted with hexagonal wrenching, further enlarge the radius of rotation, improve the adjustment accuracy.
- Locking performance: the threaded pair has a locking mechanism, which can effectively prevent the small shaking of the table.
- High versatility: universal mounting hole, M4 and M6 screws can be installed.

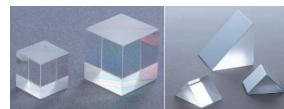
### Naming rule:

**NPMV 30**

NPMV: Prism mount

Mounting height:  
30: 0-30mm  
50: 0-50mm

### Related products:



Cube, Prism



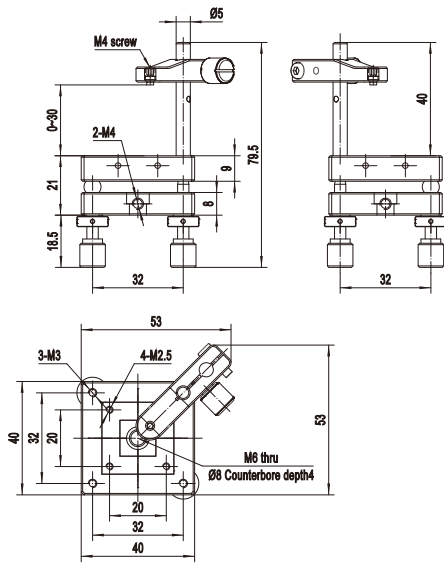
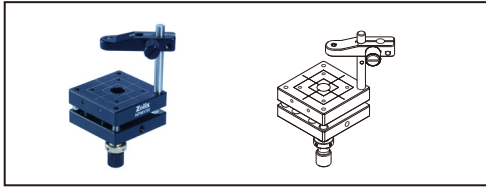
Connecting accessories

### Selection table:

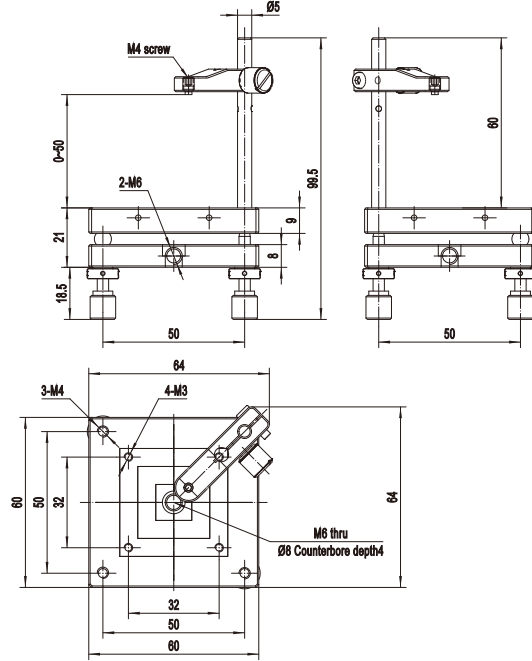
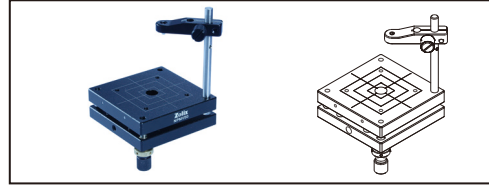
Model	NPMV30	NPMV50
Maximum Mounting Height(mm)	30	50
Tabletop dimension(mm)	40x40	60x60
Angular Range(°)	±3	
Resolution: angular adjustment per revolution(°)	≈0.36	≈0.23
Main Body Material and Surface Treatment	Black anodized aluminium alloy	
Number of Pulling Spring	4	
With Locking Mechanics	Yes	
Mounting Hole	M6, counter boreØ8	
Net Weight(g)	105	200

### Dimensions:

NPMV30



NPMV50



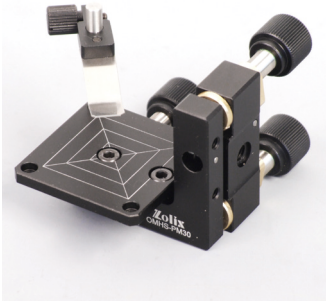
# OMHS-PM Series Prism Kinematic Mount

AL  
2024



3-Axes

0.25mm  
Pitch



## Brief Introduction:

Omhs-pm is an upgraded kinematic mount based on OMHS structure, which is suitable for all kinds of optical prisms.

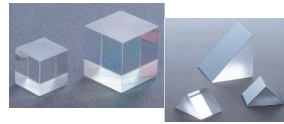
## Features:

- High sensitivity: 3pcs 0.2mm pitch fine screw.
- Advanced structure:
  - ①Adjustment mechanism is at back side for easy operation.
  - ②Optimized design makes the structure more stable and the spring force more uniform.
  - ③With indicating Line on the platform, much easy to position the optics.
- High-quality materials: premium aluminium alloy, and the surface is treated by black anodic oxidation to prevent stray light.
- M4, M6 mounting holes.

## Selection Table:

Model	OMHS-PM30	OMHS-PM60
Max Load height (mm)	30	60
Plate Form Size(mm)	44×44	74×74
Adjustment Angle Range (°)	±3	
Front Plate Translation (mm)	MAX6	
Resolution: angular adjustment per revolution(°)	≈0.39	≈0.25
Main Body Material and Treatment	aluminium alloy, surface treated by black anodic oxidation.	
Overall Height(mm)	57.5	92.5
Fixed Plate Thickness(mm)	18	
Number of Pulling Spring	4	
Mounting Hole	M6, Ø8sink hole	
Net Weight (g)	160	240

## Related Products:



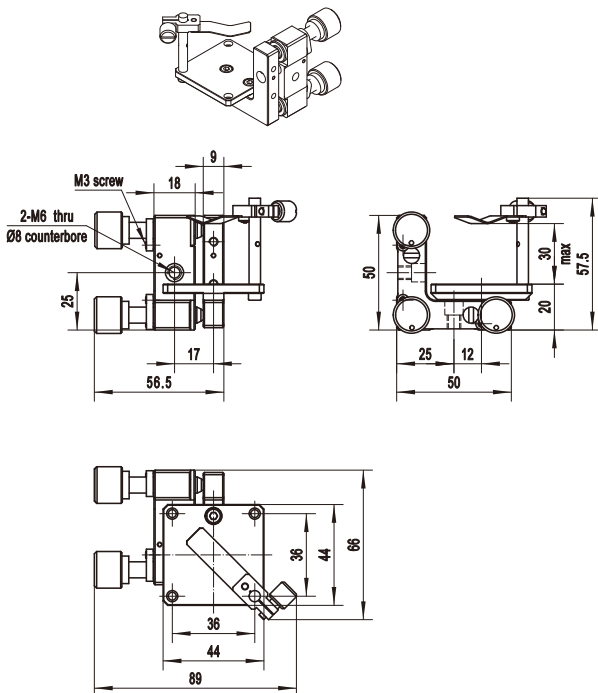
Cube, Prism



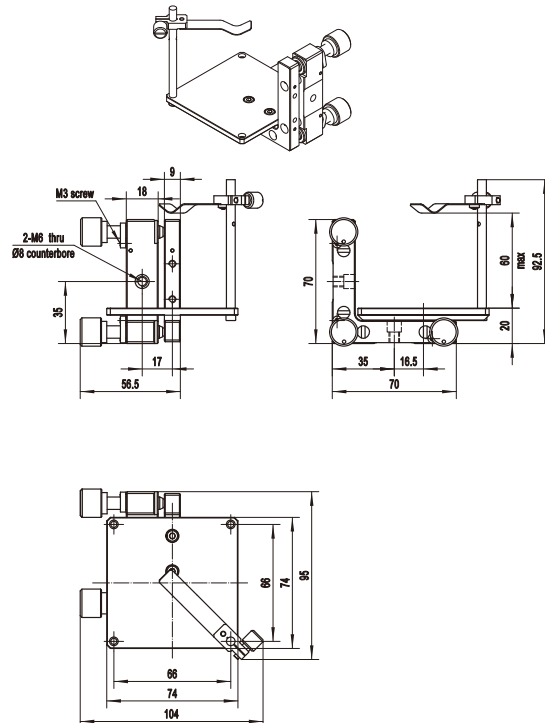
Connecting Accessories

## Dimensions:

### OMHS-PM30



### OMHS-PM60



# NPM Series Prism Kinematic Mount

AL  
2024



3-Axes

0.25mm  
Pitch



## Brief Introduction:

NPM is newly designed by Zolix for cube and prism optics adjustment.

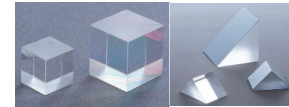
## Features:

- High sensitivity: 3pcs 0.2mm pitch fine screw.
- Advanced structure:
  - ①2D tilt and 1D rotation adjustment with side thumb drive.
  - ②Hold the prism by an elastic mechanism which is adjustable in vertical direction.
  - ③Cross Line on the platform, more easy to position the optics.
- High-quality materials: premium aluminium alloy, and the surface treated by black anodic oxidation to prevent stray light.

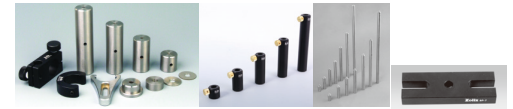
## Selection Table:

Model	NPM-30	NPM-60	
Max Load Height(mm)	30	60	
Plate Form Sizemm)	Ø62	Ø70	
Adjustment Angle Range	Tilt(°)	±3	
	Tilt(°)	±3	
	Rotaiton(°)	±5	Raw adjust 360, fine tuning +/-5
Max Load Height(mm)	MAX30	MAX60	
Resolution: angular adjustment per revolution(°)	Tilt(°)	≈0.76	≈0.39
	Tilt(°)	≈0.76	≈0.45
	Rotaiton(°)	≈0.82	≈0.57
Main Body Material and Treatment	aluminium alloy, surface treated by black anodic oxidation.		
Overall Height(mm)	65	109	
Mounting Hole	M6	M6, 4×M4	
Net Weight (g)	180	475	

## Related Products:



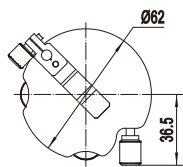
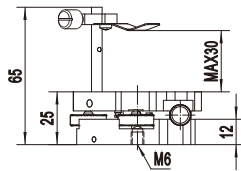
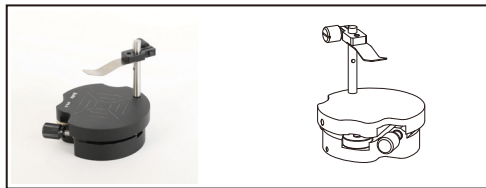
Cube, Prism



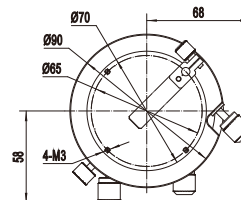
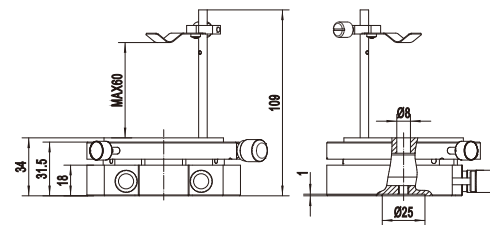
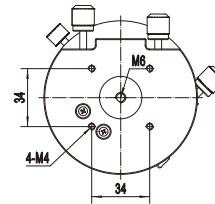
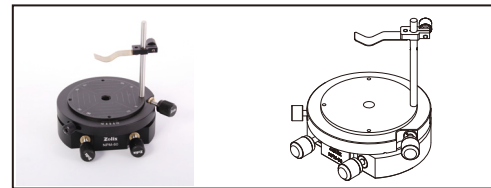
Connecting Accessories

## Dimensions:

NPM-30



NPM-60



# NCM Series V Clamp Kinematic Mount



## Brief Introduction:

MCM series products are specially designed for cylindrical optics, which can provide 3D adjustment.

## Features:

- High-quality materials: The main body is made of high-quality aluminium alloy, and the surface treated by black anodic oxidation.
- Advanced structure:
  - ① Fine thread mechanism, high sensitivity and stable
  - ② Four pulling springs, more uniform and more stable
  - ③ V clamp and one press arm hold the cylinder in stable three point
  - ④ Slit clamping mechanism, designed to hold the position stably.
- High sensitivity: 3pcs 0.2mm pitch fine screw.
- Dual adjustment mechanics: Adjusting thread pair come with inner-hexagonal adjusting hole behind. can coupled with standard thumb wheel or Inner hexagon spanner, for better adjustment sensitivity and also larger angle range.
- Universal mounting:
  - ① Mount the cylinder 6-40mm Dia.
  - ② M4 (from top) M6 (at the bottom) mounting thread



## Selection Table:

Model	NCM20	NCM40
Optic Size (mm)	Ø6~Ø20	Ø10~Ø40
Adjustment Angle Range (°)	±3	
Front Plate Translation (mm)	MAX6	
Resolution: angular adjustment per revolution(°)	≈0.32	≈0.2
Main Body Material and Treatment	aluminium alloy, surface treated by black anodic oxidation.	
Overall Height(mm)	57.5	79
Fixed Plate Thickness(mm)	18	
V Groove Width(mm)	15	38
Number of Pulling Spring	4	
Locking Mechanics	Yes	
Mounting Hole	M6, sink holeØ8	
Net Weight (g)	170	230

## Related Products:



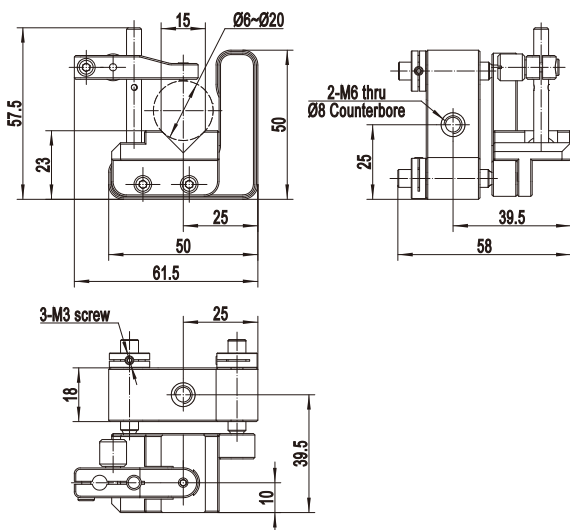
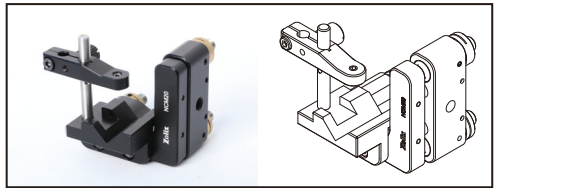
Cylinder



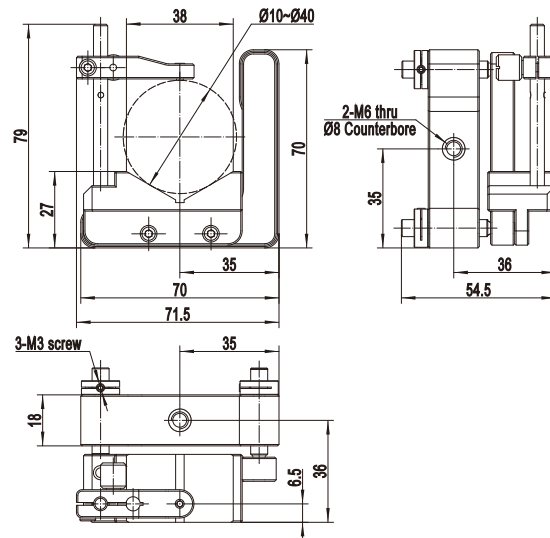
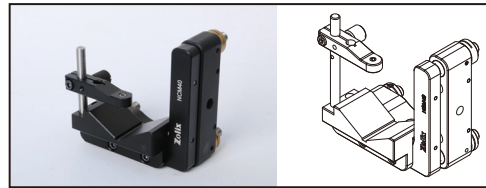
Connecting Accessories

## Dimensions:

### NCM20



### NCM40



# NCC Series V Clamp Kinematic Mount

AL  
2024



## Brief Introduction:

NCC is newly designed by Zolix for mounting cylinder such as gradient index lens, cylinder laser, fiber collimator etc.

## Features:

- High-quality materials: The main body is made of high-quality aluminium alloy, and the surface treated by black anodic oxidation.
- Advanced structure:
  - ① V clamp and one press arm hold the cylinder in stable three point
  - ② Slit pressing fixing mechanism, hold the position stable.
- Universal mounting: Mount the cylinder 6-40mm Dia.

## Selection Table:

Model	NCC10	NCC20	NCC50
Optic Size (mm)	Ø2~Ø10	Ø5~Ø20	Ø15~Ø50
Main Body Material and Treatment	aluminium alloy, surface treated by black anodic oxidation.		
Overall Height(mm)	33.5	47	81
Overall Width (mm)	20	45.5	62.5
V Groove Width (mm)	8.5	14.5	48
Mounting Hole	M4	M4	sink holeØ11
Net Weight (g)	15	38	375

## Related Products:



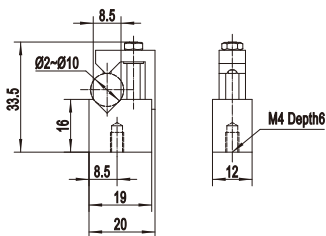
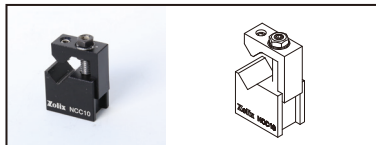
Cylinder



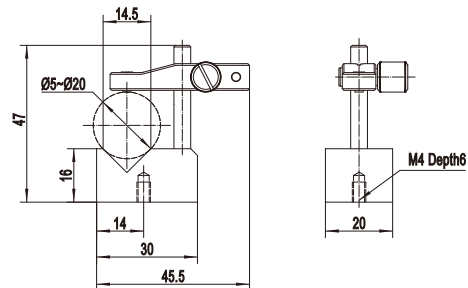
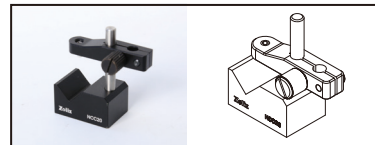
Connecting Accessories

## Dimensions:

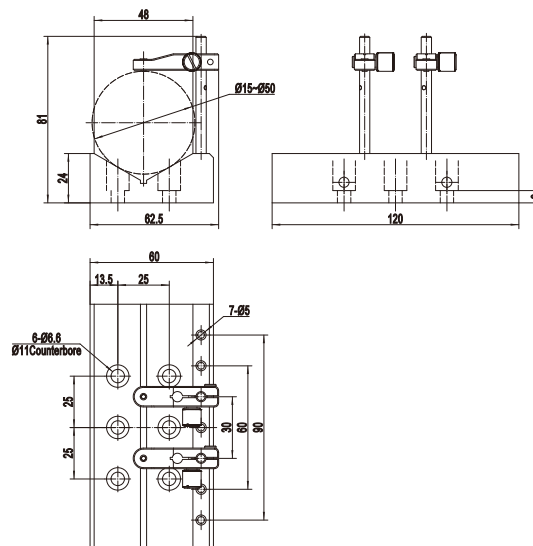
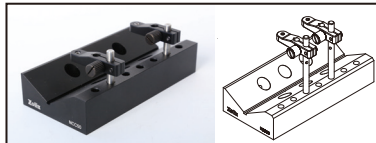
### NCC10



### NCC20



### NCC50

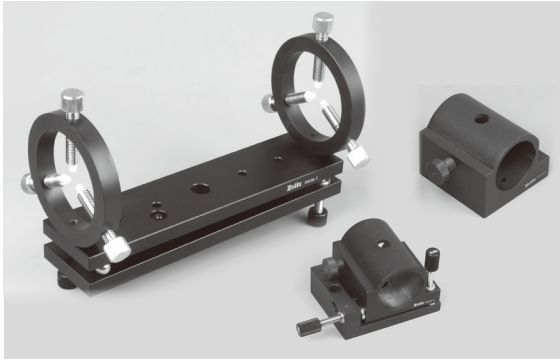


# PHLM Series Cylinder Laser Tube Kinematic Mount

AL  
2024



2-Axes



## Brief Introduction:

Cylinder laser tube kinematic mount design for the HeNe laser tube or other lasers with cylinder tube, for more simple in tuning and stable of holding.

## Features:

- High-quality materials: The main body is made of high-quality aluminium alloy, and the surface treated by black anodic oxidation.
- Advanced structure:
  - ① Three thumb wheel for fixing object firmly.
  - ② Soft Teflon material is equipped in front of fixing screw for protection.
- Universal mounting: Mount the cylinder 5~60mm Dia.

## Selection Table:

Model	PHLM-1	PHLM-2	PHLM-3	
Optic Size (mm)	Ø5~Ø60	Ø25~Ø45	Ø25~Ø45	
Adjustment Angle Range (°)	±5	/	±3	
Resolution: angular adjustment per revolution(°)	Tilt(°)	≈0.08	/	≈0.23
	Tilt(°)	≈0.36	/	≈0.24
Main Body Material and Treatment	aluminium alloy, surface treated by black anodic oxidation.			
Overall Height(mm)	150	62	72	
Mounting Hole	sink holeØ11			
Net Weight (g)	780	450	650	

## Related Products:



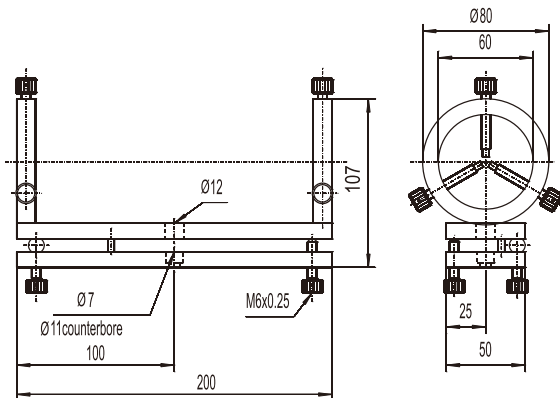
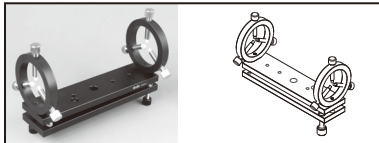
He-Ne laser or other cylinders



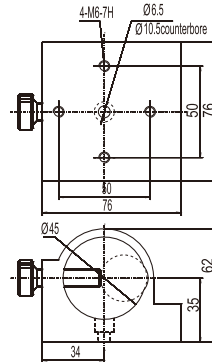
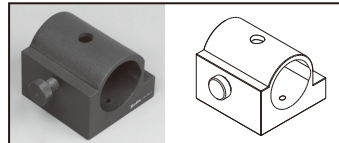
Connecting Accessories

## Dimensions:

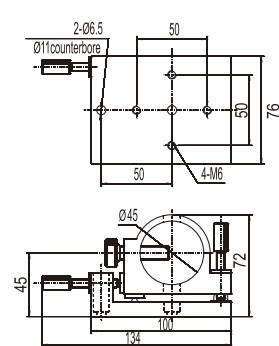
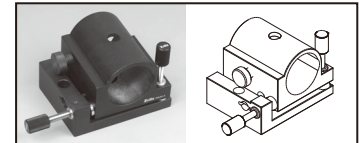
### PHLM-1



### PHLM-2



### PHLM-3



# Special Kinematic Mount

The laser beam expanders, microscope objectives, C-mount Lens has special interface. Zolix designed special kinematic mount for them.

## NMHS Series Special Kinematic Mount



AL 6061
3-Axes
0.2mm Pitch
Locking

### Description:

NMHS-xx is designed based on the NMHS motion bracket and is especially suitable for special optical components with thread types M22×0.75, 4/5"-1/36, 1"-1/32

### Features:

- The material is high-quality aluminum alloy, and the surface is black anodized to effectively prevent stray light.
- High stability:
- It adopts a point-line-surface structure to constrain the movement in 6 degrees of freedom directions and has good adjustment accuracy.
- The four-tension spring design increases the tension and makes the distribution of tension more even, further improving rigidity and stability.
- High sensitivity: Three ultra-fine thread pairs with a pitch of 0.2mm are used for adjustment, which has higher sensitivity.
- Dual adjustment: The rear end of the threaded pair has an internal hexagonal adjustment hole, which can be adjusted with the standard adjustment hand wheel or with an internal hexagonal wrench to further enlarge the rotation radius and improve the adjustment sensitivity.
- High versatility: universal mounting holes, M4 and M6 screws can be installed.

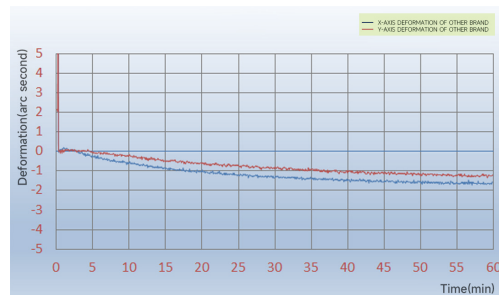
### Naming rule:

## NMHS-OL

Series code:  
 NMHS: Specialized kinematic mount for laser beam expanders, microscope objectives, C-mount Lens.

Compatible optics:  
 OL: Microscope objective  
 LBE22: Beam expander  
 Cmount: Lens with C-mount

### NMHS series Stability Test Data



Note: Note: above data is tested in laboratory, temperature 22±2°C

### Selection table:

Model	NMHS-OL	NMHS-LBE22	NMHS-Cmount
Mounting Hole Type	4/5"-1/36	M22x0.75	1"-1/32
Angular Range(°)		±3	
Travel Range(Z axis)(mm)		MAX6	
Optical Axis Height(mm)		25	
Overall Height(mm)		50	
Resolution: angular adjustment per revolution(°)		≈0.33	
Main Body Material and Surface Treatment	Black anodized aluminium alloy		
Thickness of The Fixed Plate(mm)	10.5		
Number of Pulling Spring	4		
With Locking Mechanics	Yes		
Mounting Hole	M6, counter boreØ8		
Net weight(g)	85		

### Related products:



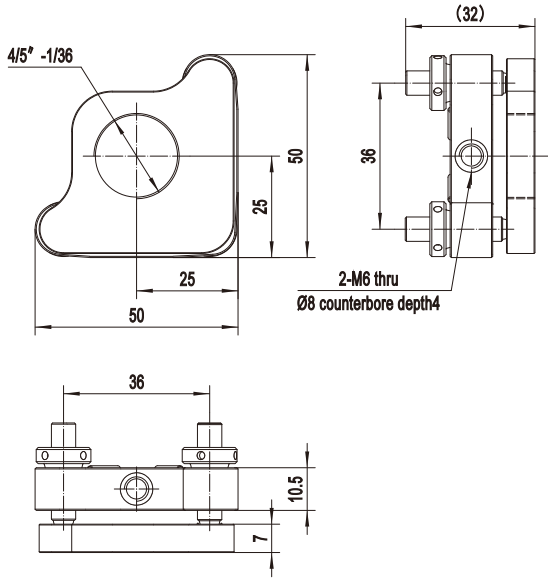
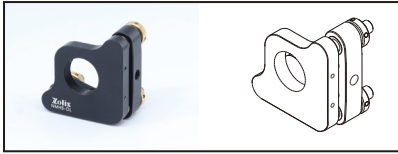
Microscope objectives, laser beam expanders, microscope objectives, C-mount



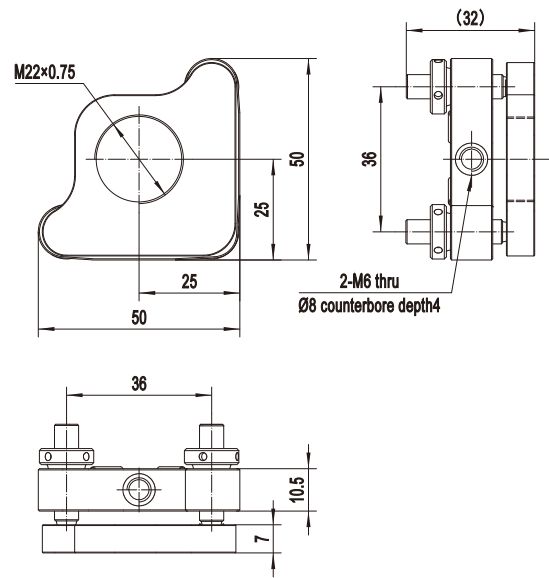
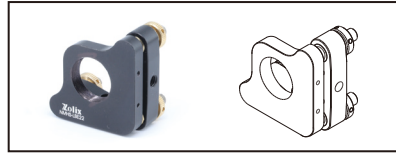
Connecting accessories

**Dimensions:**

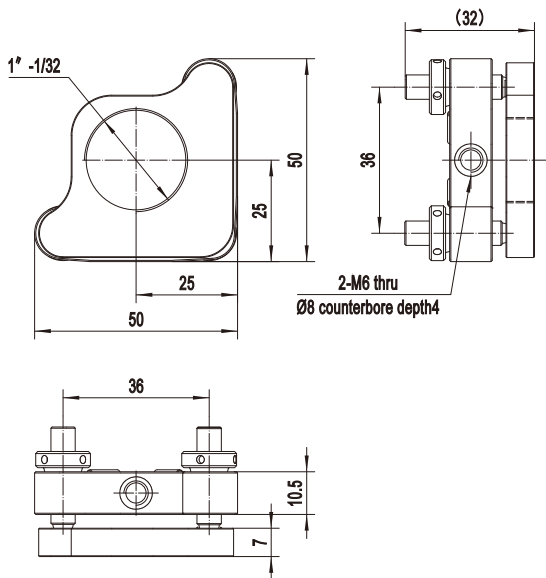
NMHS-OL



NMHS-LBE22



NMHS-Cmount



# OMHS Series Special Kinematic Mount

AL 2024 3-Axes 0.25mm Pitch



## Brief Introduction:

Base on the OMHS structure, kinematic mount with the interface to the laser beam expanders, microscope objectives, C-mount Lens

## Features:

- High-quality materials: The main body is made of high-quality aluminium alloy, and the surface treated by black anodic oxidation.
- Advanced structure:
  - ① Fine thread mechanism, high sensitivity and stability
  - ② Dual pulling springs, more uniform and more stable
- High sensitivity: 3pcs 0.25mm fine thread makes the 3D adjustment precise.
- Universal mounting: M4 (from top) M6 (at the bottom) mounting thread

The laser beam expanders, microscope objectives, C-mount Lens has special intergface. Zolix designed special kinematic mount for them.

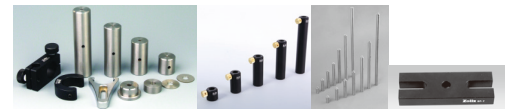
## Selection Table:

Model	OMHS-LBE22	OMHS-WJ	OMHS-Cmount
Number of Tuning Axis	3D	3D	3D
Interface size A	M22×0.75	4/5"-1/36	1"-1/32
Tilt Adjust Range	Tilt(°)	±3	
	Tilt(°)	±3	
Translation Range (mm)	MAX6		
Resolution: angular adjustment per revolution(°)	Tilt(°)	≈0.39	
	Tilt(°)	≈0.39	
Main Body Material and Treatment	aluminium alloy, surface treated by black anodic oxidation.		
Optic Center Height (mm)	25		
Fixed Plate Thickness(mm)	18		
Number of Pulling Spring	2		
Mounting Hole	M6, sink holeØ8		
Net Weight (g)	135	140	135

## Related Products:



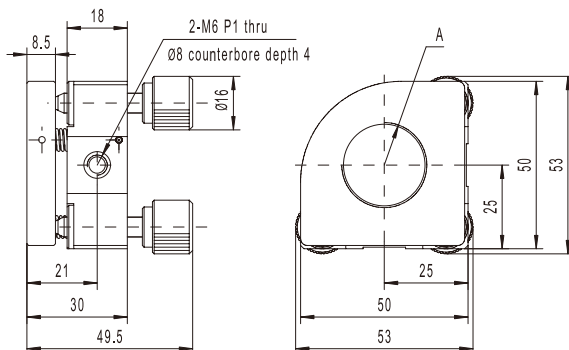
Laser Beam Expanders, Microscope Objectives, C-mount Lens



Connecting Accessories

## Dimensions:

OMHS-LBE22/WJ/Cmount



# OMxA Multi-Axis Kinematic Mount

AL 2024 4-Axes 5-Axes 6-Axes 0.25mm Pitch



## Brief Introduction:

OMxA kinematic mount add more tuning axis on the kinematic mount, complete up to 6 axis functions.

## Features:

- High-quality materials: The main body is made of high-quality aluminium alloy, and the surface treated by black anodic oxidation.
- Advanced structure:
  - ① Fine thread mechanism, high sensitivity and stability
  - ② Four pulling springs, more uniform of pulling force and more stable
- High sensitivity: 0.25mm fine thread makes the 3D adjustment precise.
- Universal mounting:
  - ① Standard mounting hole M22×0.75
  - ② 4-6 axis adjustment dimensions
  - ③ M4 (from top) M6 (at the bottom) mounting thread
  - ④ Mount with MAD series interface for universal using

## Selection Table:

Model		OM4A-LBE22	OM5A-LBE22	OM6A-LBE22
Number of Tuning Axis		4D	5D	6D
Tuning Range	Tilt(°)		±3	
	Tilt(°)		±3	
	Rotaiton(°)	/	/	360
	X-axis(mm)		±2	
	Y-axis(mm)		±2	
	Z-axis(mm)	/	6	6
Optic Center Height (mm)		31	31	35
Resolution: angular adjustment per revolution(°)	Tilt(°)	≈0.31	≈0.31	≈0.27
	Tilt(°)	≈0.31	≈0.31	≈0.27
Main Body Material and Treatment		aluminium alloy, surface treated by black anodic oxidation		
Fixed Plate Thickness(mm)		16		
Number of Pulling Spring		4		
Mounting Hole		M6, Ø8sink hole		
Net Weight (g)		215	245	245

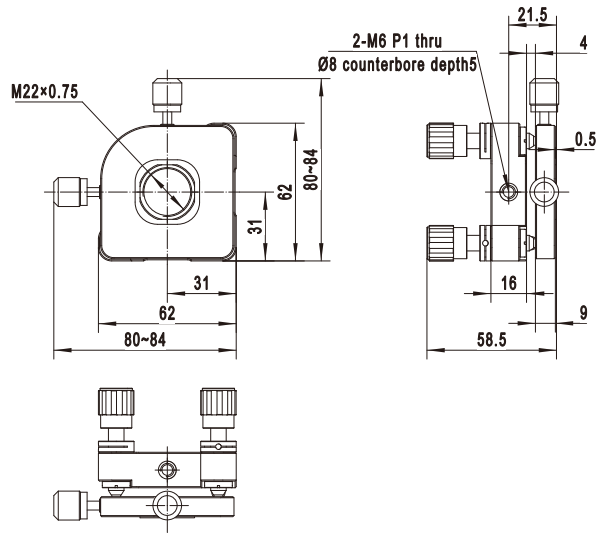
## Related Products:



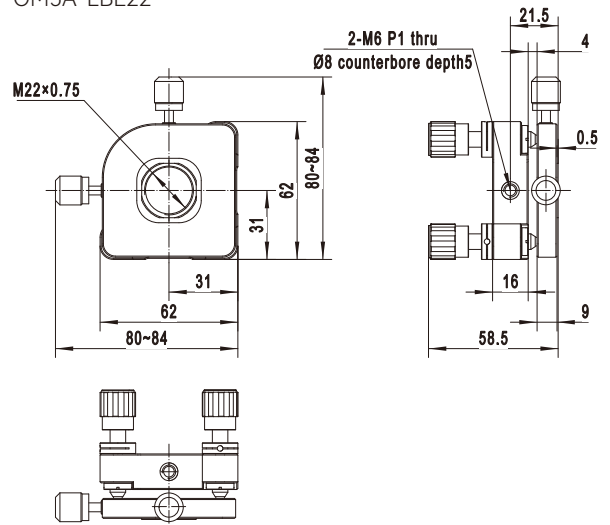
Connecting Accessories

**Dimensions:**

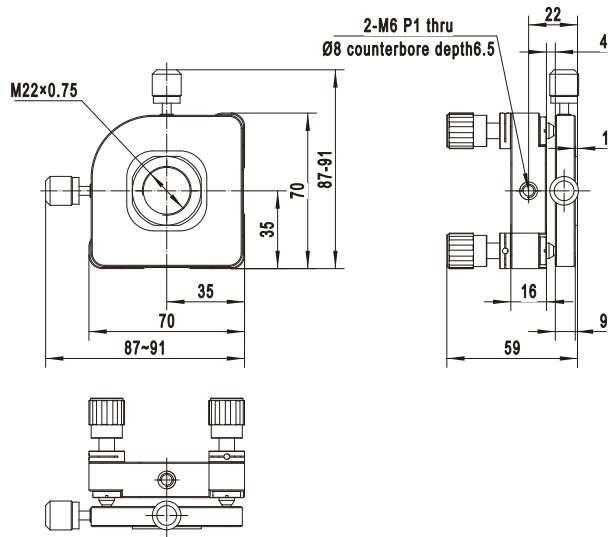
OM4A-LBE22



OM5A-LBE22



OM6A-LBE22



## MAD-M22 Series Adaptors for OMxA Kinematic Mounts



### Brief Introduction:

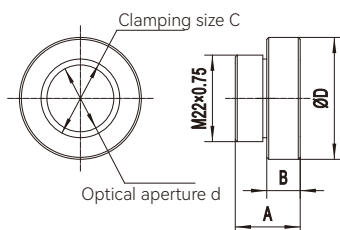
MAD are adaptor for OMxA kinematic mount, connect different kind of microscope objectives, laser beam expanders, C-mounts etc.

Selection Table:

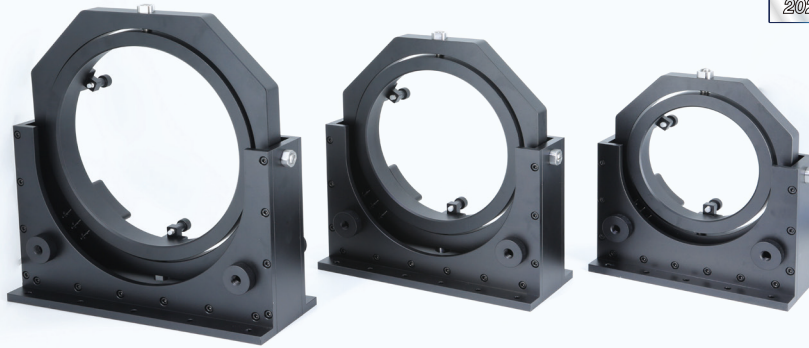
Model	mount items	Overall Thickness A(mm)	Front Plate Thickness B(mm)	Optics Thickness C(mm)	Overall Diameter D(mm)	Clear Aperture d(mm)	Interface Size(mm)
MAD-M22-12.7	Ø12.7mm lens (Ø12.5mm Unicersial)	16.5	8.5	Ø12.5/Ø12.7	Ø30	Ø11	M22×0.75
MAD-M22-20	Ø20mm lens			Ø20	Ø36	Ø17	
MAD-M22-25.4	Ø25.4mm lens (Ø25mm unicersial)			Ø25/Ø25.4	Ø42	Ø17	
MAD-M22-OL	microscope objective			4/5"-1/36	Ø31	Ø17	
MAD-M22-Cmount	C-mount lens			1"-1/32	Ø31	Ø17	
MAD-M22-6.35	fiber (bare fiber, adapt for APFCH)			Ø6.35	Ø31	/	
MAD-M22-FC	Fiber (FC connector)			FC connector	Ø31	/	
MAD-M22-SC	Fiber (SC connector)			SC connector	Ø31	/	
MAD-M22-ST	Fiber (ST connector)			ST connector	Ø31	/	
MAD-M22-SMA905	Fiber (SM905 connector)			SMA905connector	Ø31	/	
MAD-M22-LD12	LED			Ø12	Ø31	/	

### Dimensions:

MAD-M22-xx



# NMDM Series Large Kinematic Mounts



## Description:

NMDM series large kinematic mount is newly developed by Zolix for installing optical components which OD are above 150mm. The main material of this series of products is high quality aluminum alloy. Under the premise of ensuring stability, the pitch/yaw angle can be adjusted by fine-tuning the thread pair, and the sensitivity is high, which is suitable for high-precision adjustment.

## Features:

- High-Quality Material: High-quality anodized aluminum alloy.
- Universal structural design, stable and durable, effectively reduces optical path errors caused by lens tilt.
- Optimized spring structure makes tension distribution more even and adjustment more comfortable
- The screw material is PTFE (high-molecular polymer), which effectively prevents scratches on the mirror surface.
- High sensitivity: Using a fine-tooth thread pair with a pitch of 0.25mm for two-dimensional adjustment, the sensitivity is higher.
- Good versatility: suitable for installing various circular devices with a thickness of 5~30mm.

## Naming rule:

**NMDM 250**

Series code:  
NMDM: Large  
Kinematic Mounts

Compatible optics size:  
150:  $\phi$  150  
200:  $\phi$  200  
250:  $\phi$  250

## Related products:



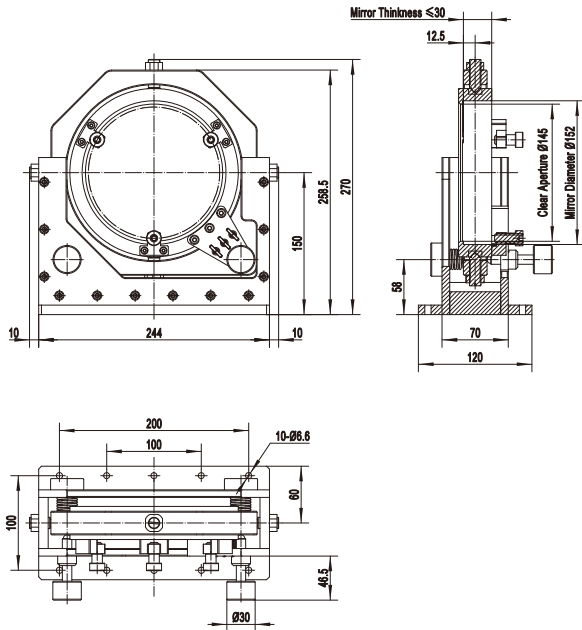
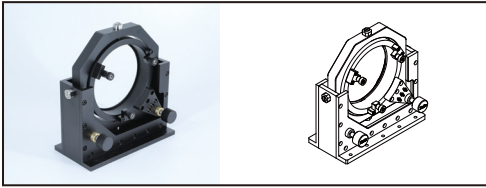
Connecting accessories

## Selection table:

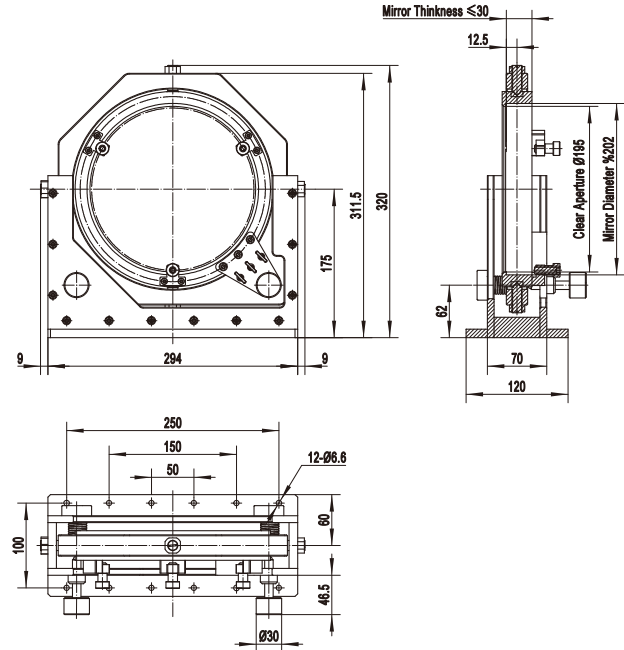
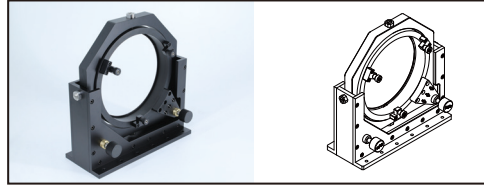
Model	NMDM150	NMDM200	NMDM250
Optic Size(mm)	$\phi$ 150	$\phi$ 200	$\phi$ 250
Optic Edge Thickness(mm)	<30		
Angular Range(°)	$\pm$ 5		
Clear Aperture(mm)	$\phi$ 145	$\phi$ 195	$\phi$ 245
Optical Axis Height(mm)	150	175	200
Resolution: angular adjustment per revolution(°)	$\approx$ 0.155	$\approx$ 0.125	$\approx$ 0.105
Main Body Material and Surface Treatment	Black anodized aluminium alloy		
Thickness of Base Plate(mm)	10		
Mounting Hole	$\phi$ 6.6 counter bore		
Net Weight(Kg)	4.9	6.2	7.6

**Dimensions:**

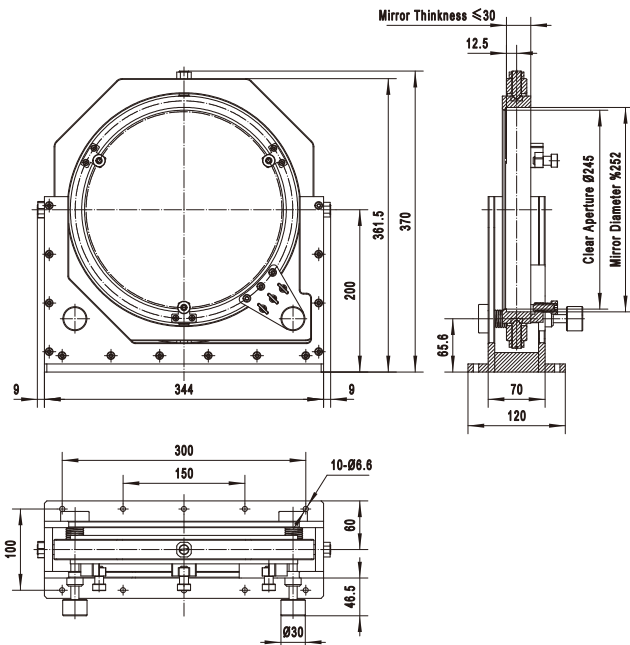
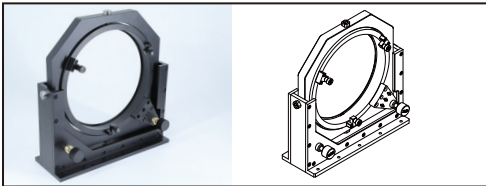
**NMDM150**



**NMDM200**



**NMDM250**



# Spatial Filter

## NASF Series Spatial Filter



Naming rules:

### NASF 13 - 3A

NASF(New Adjustable Spatial Filter)

Objective travel:  
13:13mm

Axis:  
3A:three axis  
5A:Five axis

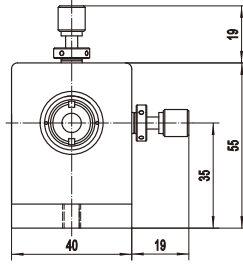
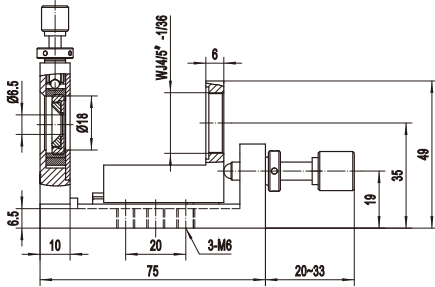
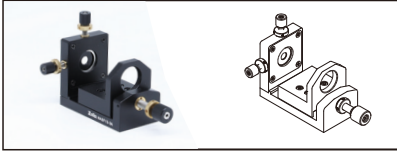


Selection Table:

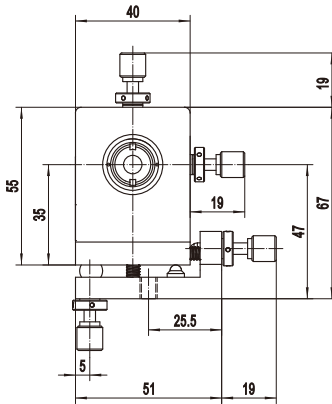
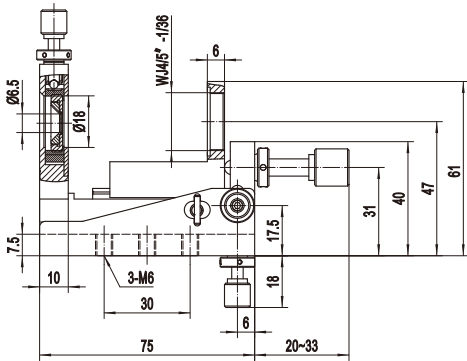
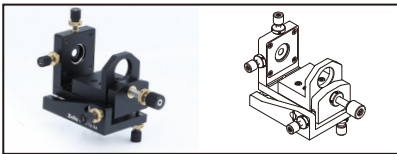
Model	NASF13-3A	NASF13-5A
Angle(°)	/	±3
Objective Range In Z Axis(mm)	13	
XY Axis Adjustment Range(mm)	±1	
Center Height(mm)	35	47
Objective	X4, X10, X20, X40, X60, X100	
Pin-hole Diaphragm	NASF13-GD	
Lock-mechanism	Yes	
Mounting Hole	3×M6	
Weight(g)	270	380

## Dimensions

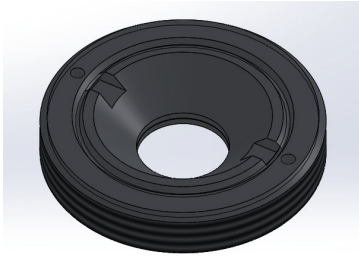
NASF13-3A



NASF13-5A



## NASF-GD Series Mount For Pin-hole Diaphragm



### Selection Table:

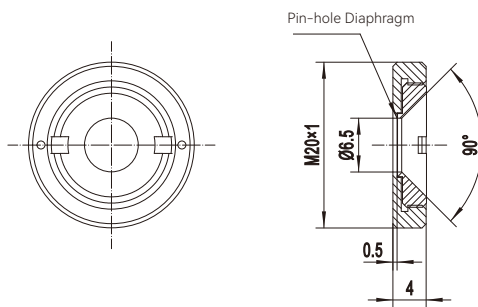
0.005mm	0.01mm	0.015mm	0.02mm	0.025mm	0.03mm	0.04mm
0.05mm	0.06mm	0.07mm	0.08mm	0.1mm	0.15mm	0.2mm

### Related products:



NASF Spatial Filter

### Dimensions:



# APAS Series One-Way Micrometer Adjustable Optical Slits



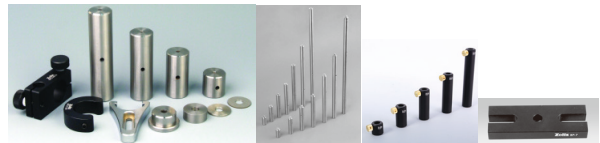
## Description:

The APAS series adjustable slits are low-pass filters, mainly used to eliminate high-frequency noise in images. The driving mechanism is a precision micrometer with a scale for quantitative adjustment.

## Selection table:

Model	APAS80-1A
Adjustable Range(mm)	0~13
Slit Height(mm)	80
Main Body Material and Surface Treatment	Black anodized aluminium alloy
Overall Height(mm)	100
Overall Width(mm)	130~143
Overall Thickness(mm)	12
Mounting Hole	2×M4
Net Weight(g)	215

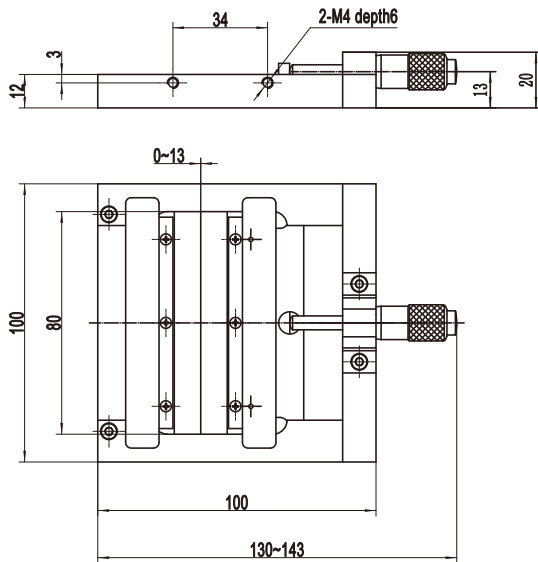
## Related products:



Connecting accessories

## Dimensions:

APAS80-1A



## APID Series Adjustable Iris Diaphragms



### Brief Introduction:

The product has a continuously adjustable center hole, which makes it easier for upper frequency of the spectrum to pass through, while other frequency are blocked, thereby changing the frequency of the image on the image plane.

The structure of the APID series adjustable diaphragm is similar to the diaphragm behind the camera lens, which is also composed of multiple arc-shaped blades. Zolix uses a good assembly process to ensure that the damping between the blades is moderate, without jerky or loose blades.

### Selection Table:

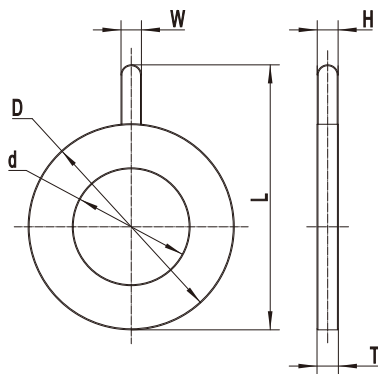
#### Standard Adjustable Iris Diaphragm

Model	APID12-1	APID22-1	APID25-1	APID42-1
Adjustable Diameter Range d(mm)	Ø1.5~Ø12	Ø1.5~Ø22	Ø1.5~Ø25	Ø2.5~Ø42
Outer Ring Diameter D(mm)	Ø19.5	Ø33	Ø37	Ø58
Main Body Material and Treatment	aluminium alloy, surface treated by black anodic oxidation.			
Blade Material	Black Spring steel			
Number of Blade	11	14	13	18
Handle Diameter W(mm)	Ø1.5	Ø3	Ø3	Ø3
Overall Height L(mm)	23	45.5	49	70
Overall Thickness T(mm)	5	5.5	5.5	6.6
Net Weight (g)	7	20	25	40

#### Zero-Aperture Adjustable Iris Diaphragm

Model	APID25Z	APID42Z	APID50Z	APID100Z
Adjustable Diameter Range d(mm)	0~Ø25	0~Ø42	0~Ø50	0~Ø100
Outer Ring Diameter D(mm)	Ø44.5	Ø64.5	Ø78	Ø142
Main Body Material and Treatment	aluminium alloy, surface treated by black anodic oxidation.			
Blade Material	Black Spring steel			
Number of Blade(dual layers)	2×7	2×9	2×9	2×10
Handle Diameter W×H(mm)	4.5×4.5	4.5×4.5	5×4.5	15×4.5
Overall Height L(mm)	57	81	98	168
Overall Thickness T(mm)	4.5	5	5.2	7.6
Net Weight (g)	35	50	60	180

### Dimensions:



# Holder for APID Iris Diaphragms



## Brief Introduction:

There are two type of seat for APID serie adjustable iris diaphragm; one is half-moon open structure (GD).The Iris diaphragm is clamped by two locking handwheels, which is simple in structure and easy to use.

The other is enclosed packaging structure (AGD series), which places the adjustable diaphragm inside the diaphragm seat, the diaphragm outer ring has a scale for reading just for reference, because of it is not linear between the iris area change and the scale.

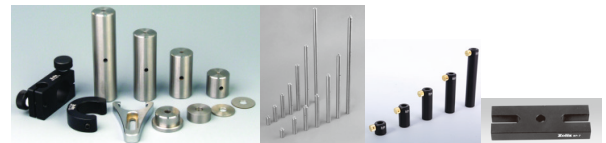
## Selection Table:

### APIDxx-GD series

Model	APID12-GD	APID22-GD	APID25-GD	APID42-GD
Adapt for Model of Iris Diaphragm	APID12-1	APID22-1	APID25-1	APID42-1
Optic Center Height (mm)	20	27	29	39
Main Body Material and Treatment	aluminium alloy, surface treated by black anodic oxidation.			
Overall Height(mm)	20	23	23	34
Overall Width (mm)	24	48	48	78.5
Overall Thickness (mm)	18	20	20	22
Mounting Hole	M4	M6	M6	M6
Weight (g)	8.5	22.5	21.5	38.5

Note: The iris diaphragm should be ordered separately

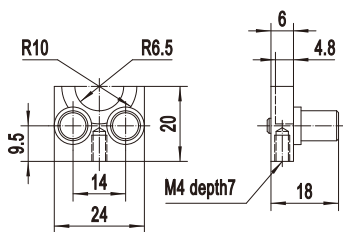
## Related Products:



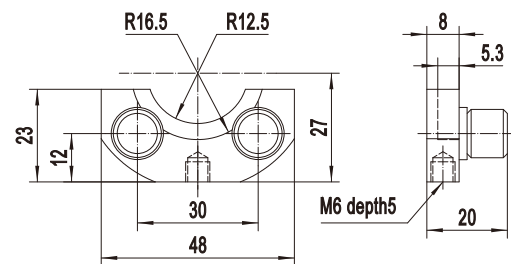
Connecting Accessories

## Dimensions:

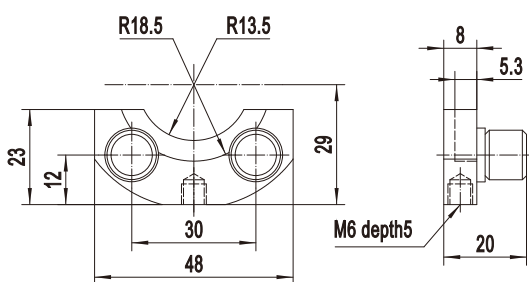
### APID12-GD



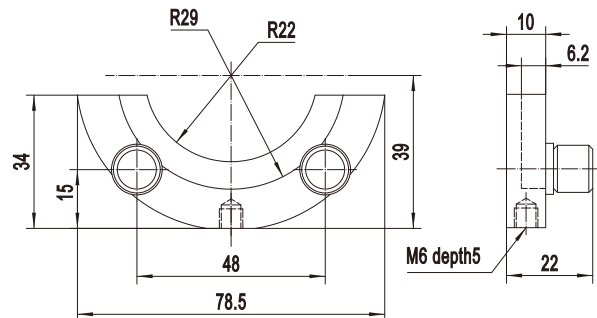
### APID22-GD



### APID25-GD



### APID42-GD

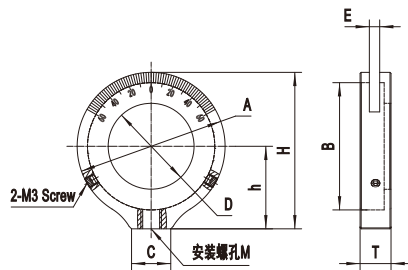


### APIDxx-AGD series

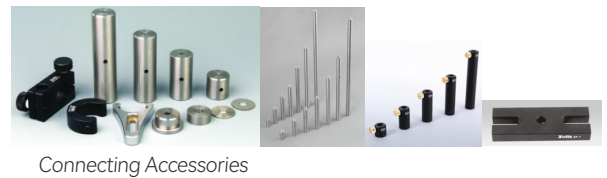
Model	APID12-AGD	APID22-AGD	APID25-AGD	APID42-AGD
Adapt for Model of Iris Diaphragm	APID12-1	APID22-1	APID25-1	APID42-1
Scale Range(°)	±60			
Optic Center Height (mm)	15.3	22	24	34.5
Main Body Material and Treatment	aluminium alloy, surface treated by black anodic oxidation.			
Outer Ring Diameter A(mm)	Ø25.5	Ø39	Ø43	Ø64
Iris Diaphragm Outline Diameter B(mm)	Ø19.5	Ø33	Ø37	Ø58
Feet Width C (mm)	8	12	12	12
Max Iris Diameter D (mm)	Ø12	Ø22	Ø25	Ø42
Overall Height H(mm)	28	41.5	45.5	66.5
Overall Thickness T(mm)	7	9	9	9
Open Slit Width on The Top E (mm)	2.5	3	3	3
Mounting Hole	M4	M6	M6	M6
Net Weight (g)	5	11	12.5	21

Note: The iris diaphragm should be ordered separately

#### APIDxx-AGD



#### Related Products:

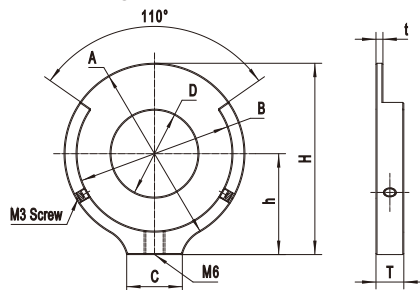


### APIDxx-AGD series

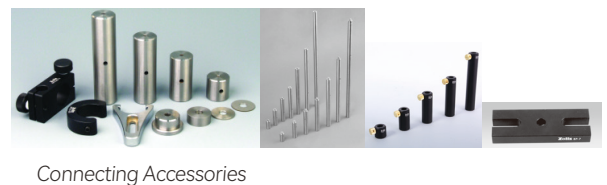
Model	APID25Z-AGD	APID42Z-AGD	APID50Z-AGD	APID100Z-AGD
Adapt for Model of Iris Diaphragm	APID25Z	APID42Z	APID50Z	APID100Z
Scale Range(°)	±60			
Main Body Material and Treatment	aluminium alloy, surface treated by black anodic oxidation.			
Outer Ring Diameter A(mm)	Ø52	Ø72	Ø86	Ø150
Iris Diaphragm Outline Diameter B(mm)	Ø44.5	Ø64.5	Ø78.5	Ø142.5
Feet Width C(mm)	16	20	20	30
Max Iris Diameter D(mm)	Ø25	Ø42	Ø50	Ø100
Overall Height H(mm)	56	76	91	155
Optical Center Height h(mm)	30	40	48	80
Overall Thickness T(mm)	8	8	8	10
Top Parts Thickness t(mm)	2			
Mounting Hole	M6			
Net Weight (g)	17	25	35	90

Note: the iris diaphragm should be ordered separately

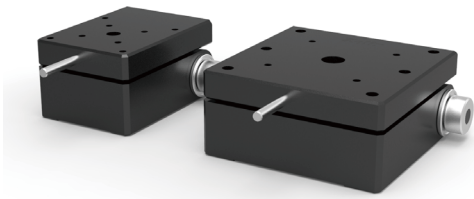
#### APIDxxZ-AGD



#### Related Products:



# NOS Series Optics Pack Switches



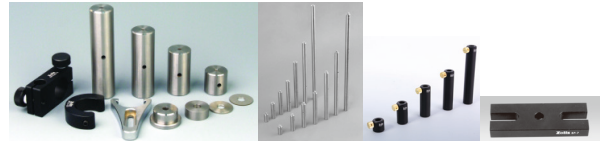
### Brief Introduction:

NOS series optics pack switch using for fast move in and move out different optics pack with high repeatability.

### Selection Table:

Model	NOS25	NOS40
Main Body Material and Treatment	aluminium alloy, surface treated by black anodic oxidation.	
Overall Height(mm)	18.5	
Overall Length(mm)	47	52
Overall Width (mm)	35	50
Mounting Hole	M4, counterbore $\varnothing$ 6	M6, counterbore $\varnothing$ 7.5
Net Weight (g)	45	80

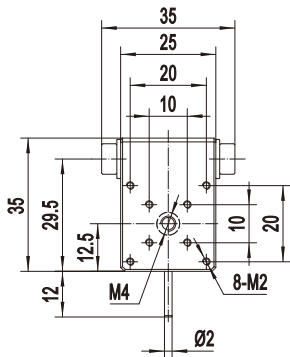
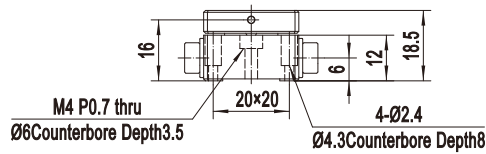
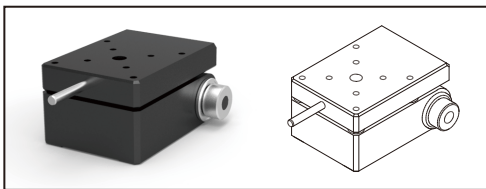
### Related Products:



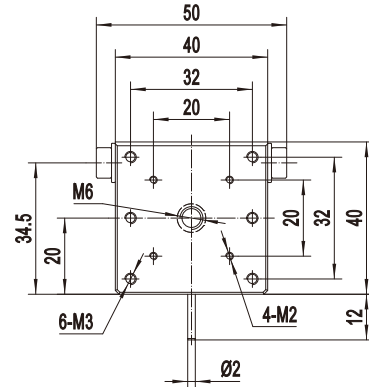
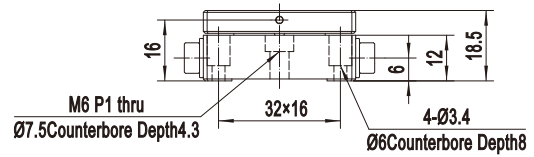
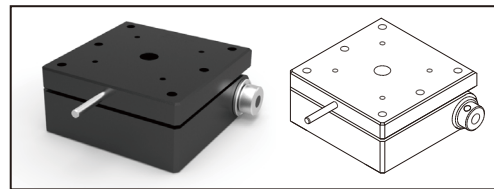
Connecting Accessories

### Dimensions:

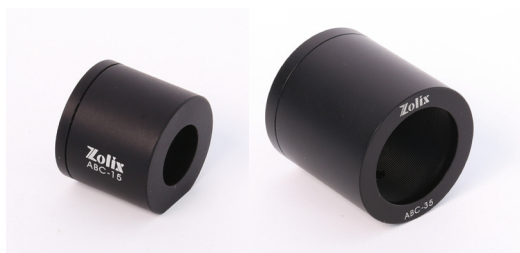
#### NOS25



#### NOS40



## ABC Series Beam Dumps



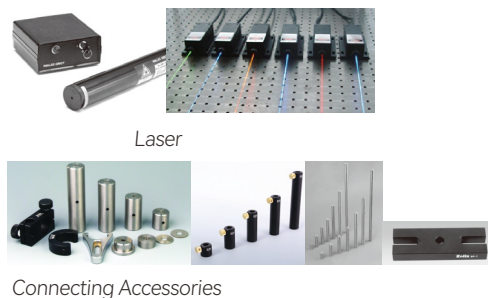
### Brief Introduction:

The ABC series beam damper is mainly used to damper the useless laser beam. There is an anti-reflection structure inside the damper to avoid the unnecessary beam of the laser from affecting the experiment or harming the people.

### Selection Table:

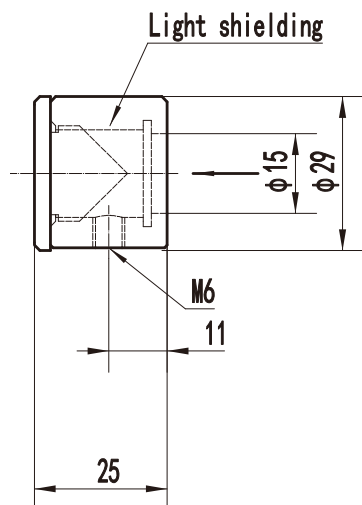
Model	ABC-15	ABC-35
Internal Diameter (mm)	Ø15	Ø35
Main Body Material and Treatment	aluminium alloy, surface treated by black anodic oxidation.	
External Diameter (mm)	Ø29	Ø49
Overall Thickness (mm)	25	50
Mounting Hole	M6	
Net Weight (g)	35	180

### Related Products:

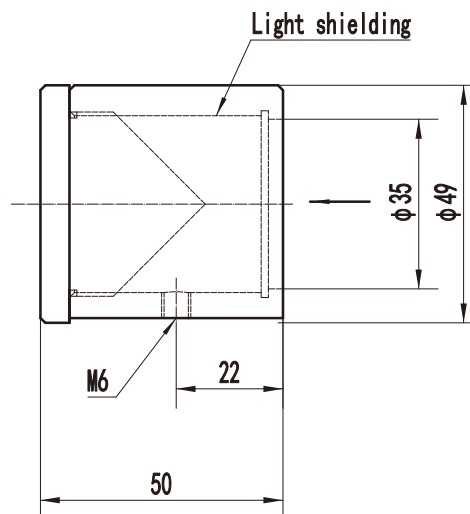


### Dimensions:

ABC-15



ABC-35



# Post and Post Holder

## PHK Series Post and Post Holder Package



### Brief Introduction:

PHK series post and post holder package include the most commonly used posts, post holders, bases, and table clamps. One model is for 12mm post package, the other is for 25mm post package.

PHK12-20: Aluminium alloy material 12mm post and related items package, 25 drawer cabinet, 390×190×395mm

PHK25-16: Stainless steel 25mm post and related items package, 20 drawer cabinet, 390×190×330mm

### PHK12-20 include

No.	Model Name	Name	Qty.
1	PHSH-1	Post Holder	10
2	PHSH-2	Post Holder	10
3	PHSH-3	Post Holder	10
4	PHSH-4	Post Holder	10
5	ACCF-2	Clamp	10
6	BP-7	Base Plate	10
7	PHPB-1	Post Base	10
8	PHAF	Fork Clamp	10
9	BP-8	Base Plate	10
10	PHSP12-1	Post	10
11	PHSP12-2	Post	10
12	PHSP12-3	Post	10
13	PHSP12-4	Post	10
14	PHSP12-5	Post	10
15	PHSP12C	Post Clamp	10
16	NCC20	V Clamp for cylinder	2
17	PHCP-1	Right Angle post clamp	5
18	PHCP-2	swiveling post clamp	5
19	PHUC-1	swiveling post Holder	2
20	SK	Screw Kits	1

### PHK25-16 include

No.	Model Name	Name	Qty.
1	PPS1	Post Spacer	10
2	PPS2	Post Spacer	5
3	PPS5	Post Spacer	5
4	PPS10	Post Spacer	5
5	PPCC25	C Clamp	5
6	PPF25	Steel Clamping Fork	15
7	PPB15	Post Base	15
8	PPE25	Post	5
9	PPE50	Post	5
10	PPE75	Post	5
11	PPE90	Post	5
12	PPE100	Post	3
13	PPC2512	Right Angle Post Clamp	2
14	ACSF-M6-M6	Post Connection Screw	20
15	ACSF-M6-M4	Post Connection Screw	20
16	ACSF-M4-M4	Post Connection Screw	20

# Ø6mm Post and Post Holders

## PHSP6 series mini Post



### Brief Introduction:

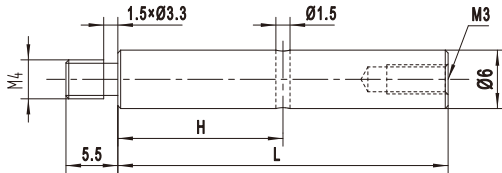
PHSP6 series mini post, made from 6mm diameter stainless steel, can work in the vacuum, standard with male/female thread, Model -A with female/female thread

### Selection Table:

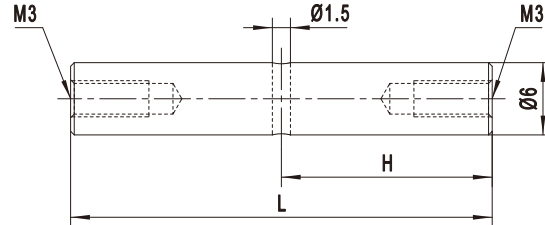
Model	PHSP6-1	PHSP6-2	PHSP6-3	PHSP6-4	PHSP6-5	PHSP6-6	PHSP6-7
Model	PHSP6-1A	PHSP6-2A	PHSP6-3A	PHSP6-4A	PHSP6-5A	PHSP6-6A	PHSP6-7A
Diameter(mm)	6						
Overall Height L(mm)	20	35	50	75	100	150	200
Middle Hole Height H (mm)	10	17.5	25	25	50	50	50

### Dimensions:

PHSP6-x



PHSP6-xA



## NMPH series Mini Post Holder with Base



### Brief Introduction:

The NMPH series, newly designed by Zolix, is suitable for the PHSP6 post and features a base at the bottom. When fastening the fork clamp, the holder and base will be firmly secured.

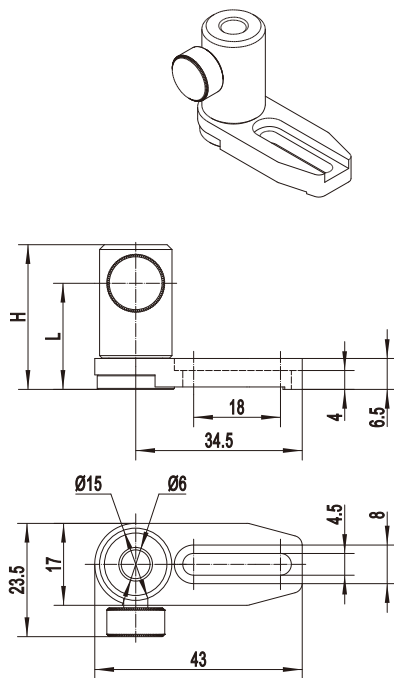
### Features:

- Compact: Combine with post holder and base, compact and easy to use
- The base can rotate, with mild magnet field, can adjust the position more easy on the optical table.
- Space saving: using with PHSP6 series mini post save the spacing
- 20mm, 25mm, 30mm, 40mm, 50mm and 75mm height can be choosed

### Selection Table:

Model	NMPH20	NMPH25	NMPH30	NMPH40	NMPH50	NMPH75
Optics Size (mm)	6					
Overall Height H(mm)	20	25	30	40	50	75
ThumbScrew Height L(mm)	13	17	22	32	42	67

### Dimensions:



# Ø12mm Post and Post Holders

## PHSP12 series Post



### Brief Introduction:

PHSP12 series post features stainless steel for good appearance, with fine grinding. Various specifications meet different needs. According to different threaded holes, they can be divided into different models.

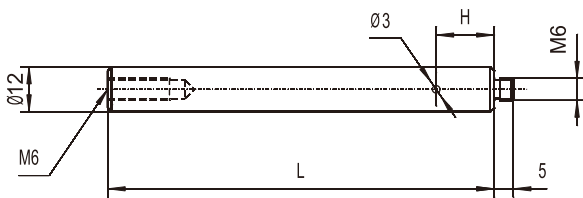
### 12mm Dia. Post

Model	PHSP12-1	PHSP12-2	PHSP12-3	PHSP12-4	PHSP12-5	PHSP12-6	PHSP12-7
Overall Height L(mm)	25	50	75	100	150	200	300
Middle Hole Height H(mm)	8	15	25	30	50	60	100
Net Weight(Kg)	0.025	0.05	0.075	0.1	0.15	0.2	0.3

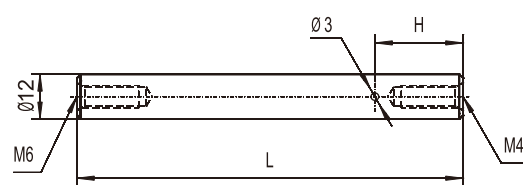
Model	PHSP12-1A	PHSP12-2A	PHSP12-3A	PHSP12-4A	PHSP12-5A	PHSP12-6A	PHSP12-7A
Model	PHSP12-1B	PHSP12-2B	PHSP12-3B	PHSP12-4B	PHSP12-5B	PHSP12-6B	PHSP12-7B
Model	PHSP12-1C	PHSP12-2C	PHSP12-3C	PHSP12-4C	PHSP12-5C	PHSP12-6C	PHSP12-7C
Overall Height L(mm)	25	50	75	100	150	200	300
Middle Hole Height H(mm)	-	25	30	30	50	60	100
Net Weight(Kg)	0.025	0.05	0.075	0.1	0.15	0.2	0.3

### Dimensions:

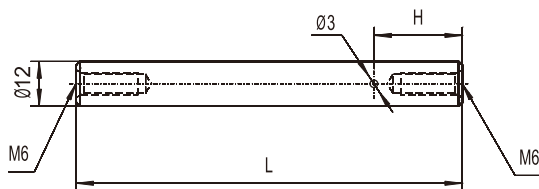
PHSP12-x



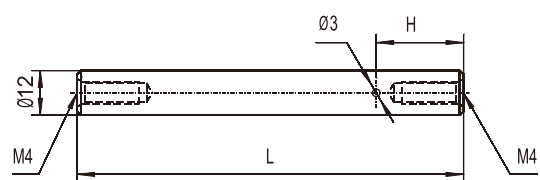
PHSP12-xB



PHSP12-xA



PHSP12-xC



## NPH series Post Holder with Base



### Brief Introduction:

The NPH series, newly designed by Zolix, is suitable for the PHSP12 post and features a base at the bottom. When fastening the fork clamp, the holder and base will be firmly secured.

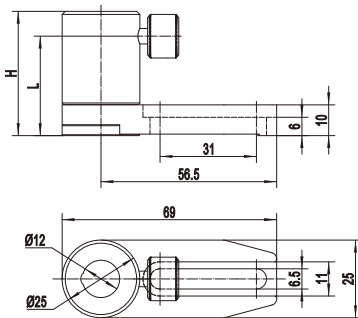
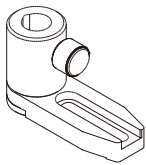
### Features:

- Compact: Combine with post holder and base, compact and easy to use.
- The base can rotate, with mild magnet field, can adjust the position more easy on the optical table.
- M5 copper nut with knurling and through holes for easy adjustment and tightening.
- 25mm, 40mm, 50mm, 75mm, 100mm and 150mm height are available.

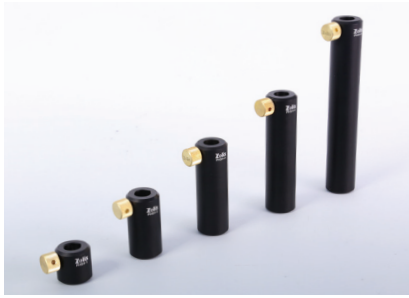
### Selection Table:

Model	NPH25	NPH40	NPH50	NPH75	NPH100	NPH150
Optics Size (mm)	12					
Overall Height H(mm)	25	40	50	75	100	150
ThumbScrew Height L(mm)	18	32	42	67	92	142

### Dimensions:



## PHSH series Post Holder



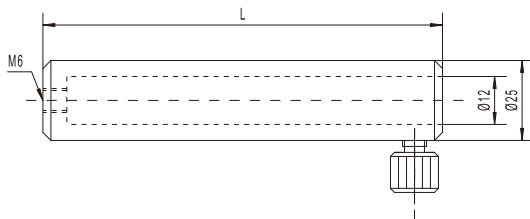
### Brief Introduction:

The PHSH series is usually used with the PHSP12 series posts. The posts can be fixed in any position by using copper thumb screws. The post bracket has a long U-shaped slot on the inside to minimize rotation when adjusting the height.

### Selection Table:

Model	PHSH-1	PHSH-2	PHSH-3	PHSH-4	PHSH-5
Overall Height L(mm)	25	50	75	100	150
Net Weight(Kg)	0.03	0.04	0.1	0.11	0.15

### Dimensions:



## PHRP series Rotation Post Holder



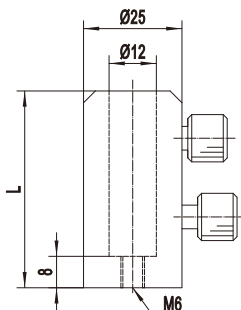
### Brief Introduction:

The post can rotate 360° without changing its height, saving a lot of adjustment work. Posts can be adjusted for height without changing the lateral position and can be locked for high stability. The PHRP series post holders feature a spring steel ball design for smooth height and angle adjustments. The height and angle can be locked separately.

### Selection Table:

Model	PHRP-1	PHRP-2	PHRP-3
Overall Height L(mm)	50	76	102
Net Weight(Kg)	0.05	0.1	0.12

### Dimensions:



## PHVP series Translating Post Holder

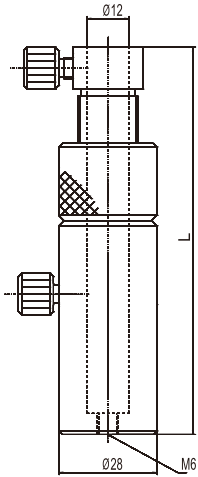
### PHVP-1/PHVP-2 Translating Post



#### Brief Introduction:

When adjusting the optical path, if only the height of the post needs slight modification without changing the angle, PHVP series lifting rod seat would be a perfect option.

First, fix the post holder at the selected position in the optical path, insert the post into the center hole of the lifting post holder, and use the post locking handwheel to lock it after roughly adjusting the height. Adjust the lifting part to the expected height, and lock it with the lifting part locking handwheel, and the adjustment is completed.



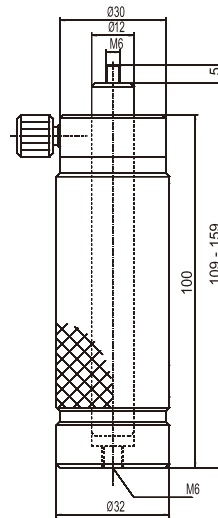
Model	PHVP-1	PHVP-2
Overall Height(mm)	72~87	95~120
Fine Tuning Height(mm)	15	25
Net Weight(Kg)	0.1	0.15

### PHVP-3 Translating Post Holder



#### Brief Introduction:

This product features a height fine-adjustment function, and the precision-machined lifting thread brings you a comfortable feeling. The standard threaded hole on the top of the center lifting rod can be connected to a variety of related products, which has strong adaptability.



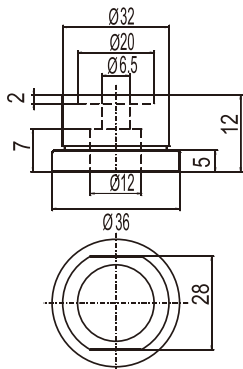
#### Related Products:

PHSP12 series Post  
BPMB series Magnet Base

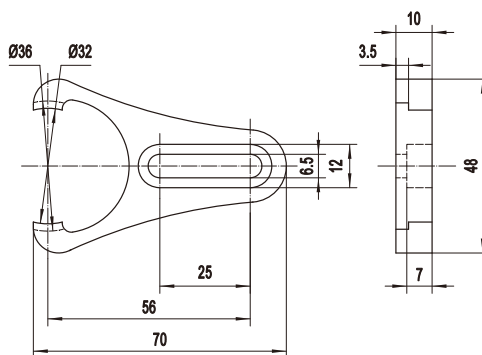
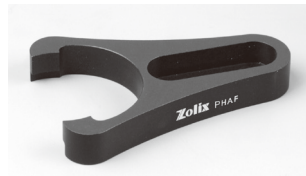
#### Specifications:

Fine Tuning Range: 50 mm  
Net Weight: 0.6Kg

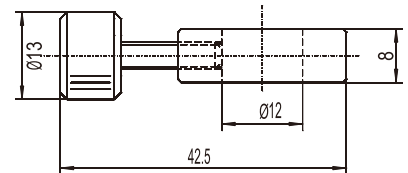
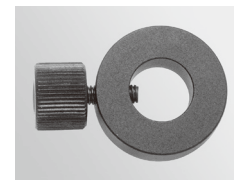
## PHPB-1 Holder Base



## PHAF Clamping Fork



## PHSP12C Mounting Clamp For Post



#### Related Products:

PHSP12 series Post

# Ø20mm Post and Post Holders

## PHSP20 series Post

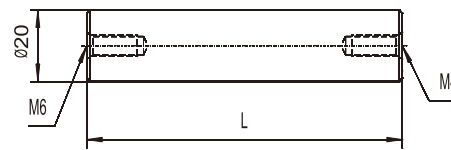


Selection Table:

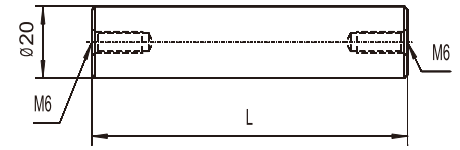
Model	PHSP20-1	PHSP20-2	PHSP20-3	PHSP20-4
	PHSP20-1A	PHSP20-2A	PHSP20-3A	PHSP20-4A
Length L(mm)	50	100	150	200
Net Weight (Kg)	0.1	0.2	0.3	0.4

Dimensions:

PHSP20-x



PHSP20-xA



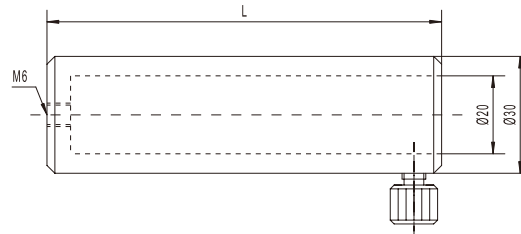
## PHSH20 series Post Holder



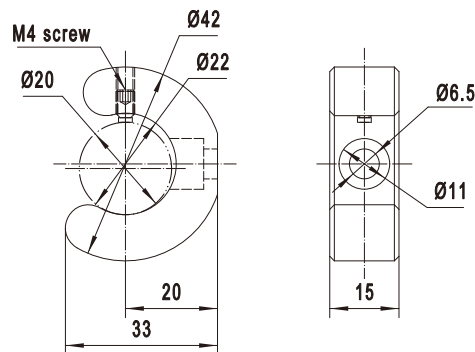
Selection Table:

Model	PHSH20-025	PHSH20-050	PHSH20-075	PHSH20-100
Overall Height L(mm)	25	50	75	100
Net Weight(Kg)	0.04	0.05	0.12	0.14

Dimensions:



## PPCC20: C Clamp



## Ø25mm Post and Post Holders

### PP series Post Package

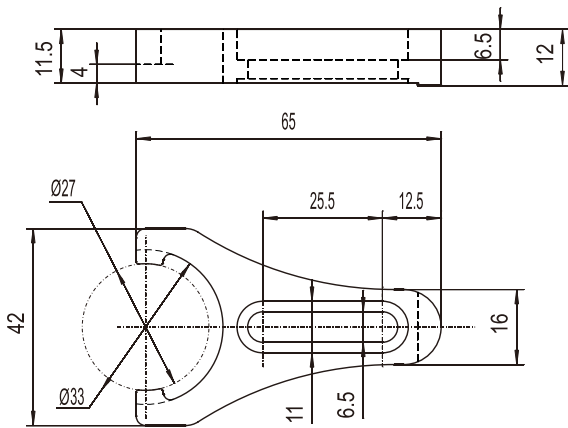


This product is made of high-quality steel and has been specially treated to ensure the rigidity of the material. The diameter of the product is 25mm, which can provide high load-bearing and high stability. The product can be fixed on optical table by clamping fork. By choosing different lengths of product can set a variety of heights. The C-type clamp and orthogonal rod holder are used together to make the optical path adjustment more convenient.

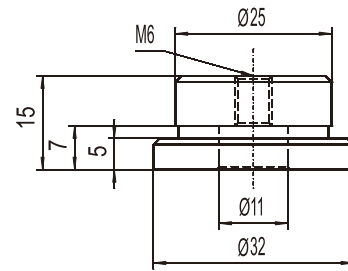
### Selection Table

Model	Instruction
PPF25	Clamping fork, stainless steel material, surface sandblasted and electrolytically polished
PPB15	15mm Post Base
PPE25	25mm Post
PPE50	50mm Post
PPE75	75mm Post
PPE90	90mm Post
PPE100	100mm Post
PPE150	150mm Post
PPS0.5	0.5mm Post Spacer
PPS1	1mm Post Spacer
PPS2	2mm Post Spacer
PPS5	5mm Post Spacer
PPS10	10mm Post Spacer
PPCC25	C Clamp
PPC2512	25-12Right Angle Post Clamp

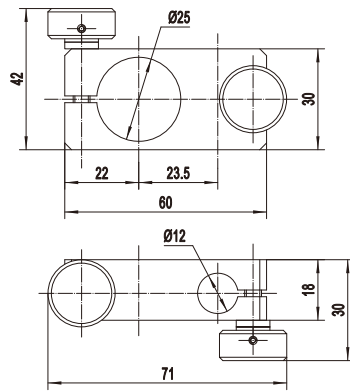
PPF25



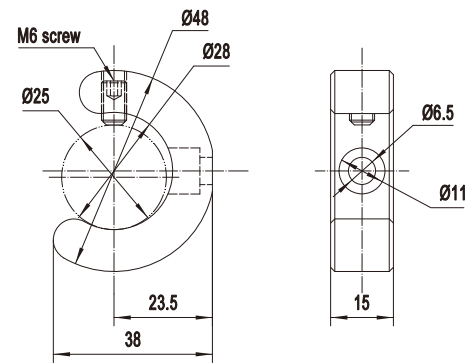
PPB15



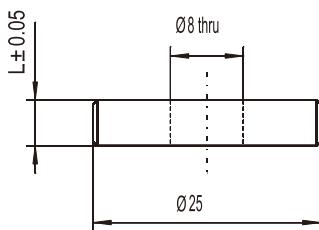
PPC2512



PPCC25

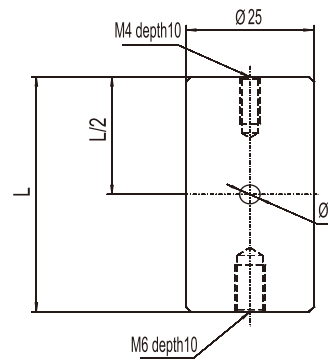


PPS



Model	PPS0.5	PPS1	PPS2	PPS5	PPS10
L(mm)	0.5	1	2	5	10

PPE



# Ø12.7mm Imperial Post and Post Holders

## PEP series Imperial Standard Post



### Brief Introduction:

The PEP series imperial standard posts come with a 1/4"-20 male thread on one end and a 1/4"-20 UNC-2B female thread on the other end, available in lengths of 50mm, 76mm, and 102mm.

The '-B series' features an 8-32 UNC-2B female thread on one end and a 1/4"-20 UNC-2B female thread on the other end, also available in lengths of 50mm, 76mm, and 102mm."

The holder provides lockable, non-rotating height adjustment. First, insert the post into the post holder, set the height coarsely, and use the thumb screw to fix the post in place. Then, use the adjustable ring for fine-tuning.

### Material:

Stainless Steel

### Features:

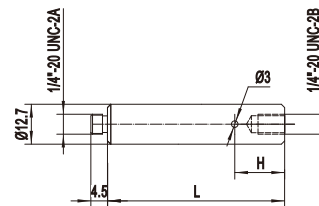
There is a Ø3mm through hole on the side of the post, with a wrench is inserted and rotated, the post can be tightened firmly.

### Selection Table:

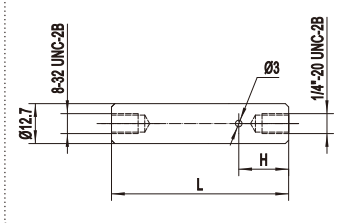
Model	PEP12.7-50(B)	PEP12.7-76(B)	PEP12.7-102(B)
Length L(mm)	50	76	102
Through Hole Height H(mm)	20	30	35

### Dimensions:

PEP12.7-xx



PEP12.7-xxB



## NIPH series Imperial Standard Post Holder with Base



### Brief Introduction:

NIPH(New Inch Post Holder) series post holder is newly designed by Zolix in imperial standard.

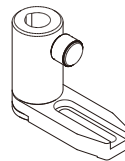
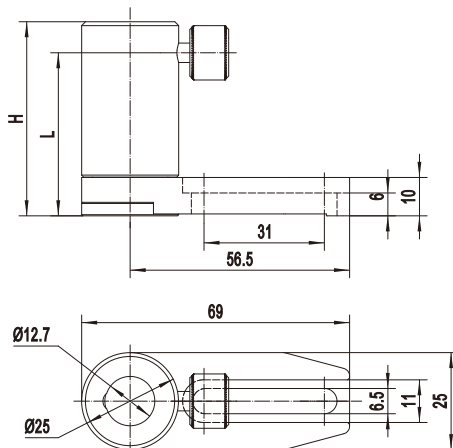
### Features:

- Compact: Combine with post holder and base, compact and easy to use.
- The base can rotate, with mild magnetic field, can adjust the position more easy on the optical table.
- Thumb screw made from M5 copper, with knurling, please avoid over force when you using the L wrench locking the post.
- 25mm, 40mm, 50mm, 75mm, 100mm and 150mm height are available. Compatible for Ø12.7mm Post.

### Selection Table:

Model	NIPH25	NIPH40	NIPH50	NIPH75	NIPH100	NIPH150
Post Diameter(mm)	Ø12.7					
Overall Height H(mm)	25	40	50	75	100	150
ThumbScrew Height L(mm)	18	32	42	67	92	142

### Dimensions:



## PEH series Imperial Standard Post Holder



### Material:

Post body is aluminium alloy, thumb screw is copper

### Features:

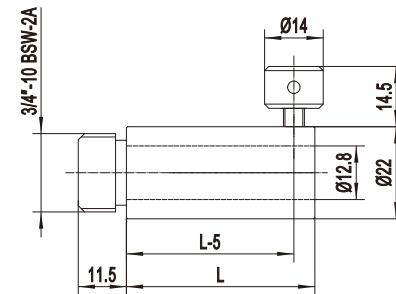
Inner hole diameter is 12.7mm(1/2"), which can fit PEP series imperial post. Bottom has 3/4"-10 external thread which can fit PEB series imperial base plate.

### Selection Table:

Model	PEH12.7-50	PEH12.7-76	PEH12.7-102
Length L(mm)	50	76	102

### Dimensions:

PEH12.7-xx



## PEB Imperial Standard Base Plate



### Brief Introduction:

PEB75: Size 75mm×50mm, with counterbored slot at the longer direction. slot width is 7mm, the standard metric or imperial screws can fix the base on the optical table.

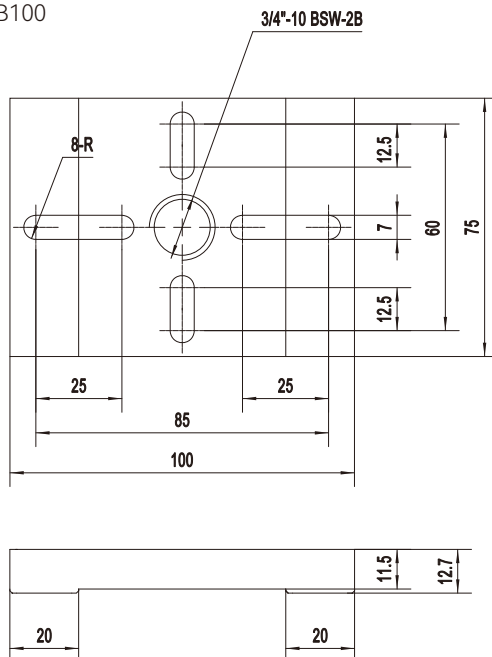
PEB75: Size 75mm×50mm, with counterbored slot at both longer and shorter direction. slot width is 7mm, the standard metric or imperial screws can fix the base on the optical table.

### Features:

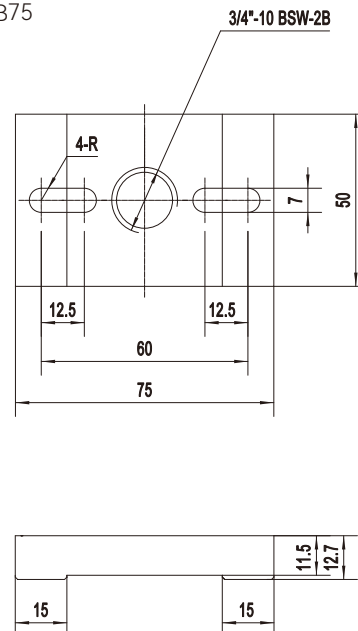
- Aluminium alloy, surface treated by black anodic oxidation.
- The central mounting hole size is 3/4"-10, which can be adapted to PEH series imperial post holder.

### Dimensions:

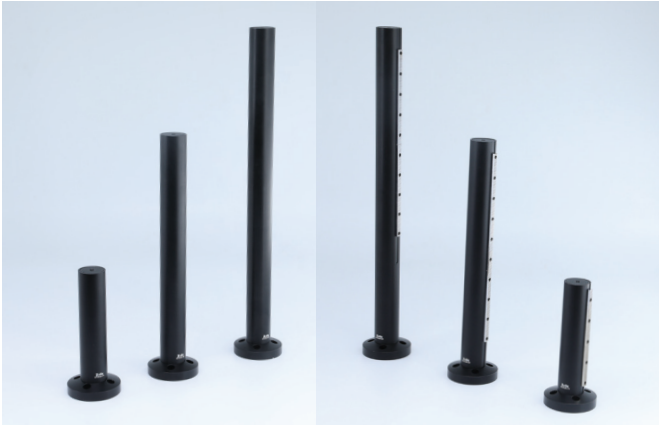
PEB100



PEB75



# NPHR Series Mounting Columns



## Description:

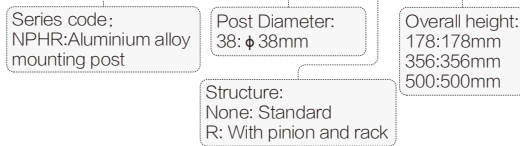
This mounting column is designed to secure various Opto-Mechanics in different height. Basement features installation hole, M6 screw can be adopted to mount post on optical table. Anodized aluminium alloy can effectively prevent stray light.

Ø38mm post, high load capacity.

Pinion and rack structure provides continuous adjustment and good vibration resistance.

## Naming rule:

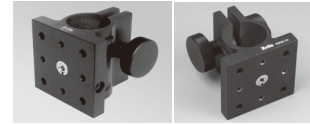
**NPHR 38(R) -178**



## Selection table:

Model	NPHR38-178	NPHR38-356	NPHR38-500
Overall Height H (mm )	178	356	500
Main Body Material and Surface Treatment	Black anodized aluminium alloy		
Mounting Hole	Ø6.5 counter bore		
Net Weight(Kg)	0.48	0.78	1.02

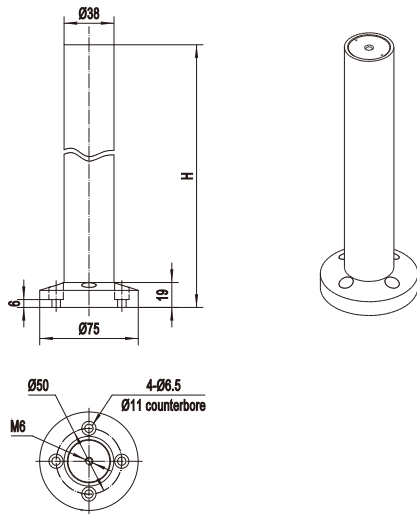
## Related products:



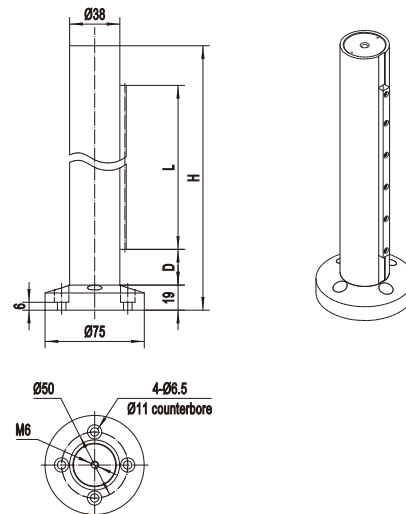
Clamps

## Dimensions:

NPHR38-xx

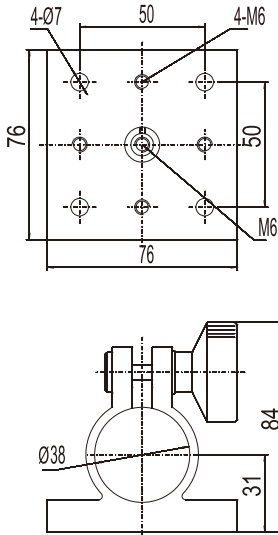


NPHR38R-xx



# PHCR Post Mounting Clamp

PHCR-1 Post Mounting Clamp



The PHCR-1 is typically used with NPHR38 series mounting post. Its standard hole spacing on the mounting surface allows for the attachment of other adjustment racks or objects. It can also be used with PHCR-6 for tilt adjustment. The locking handwheel can lock the clamp firmly at different heights.

Net weight 0.45kg

**Instructions:**

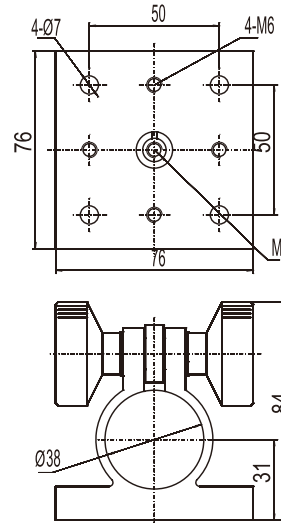
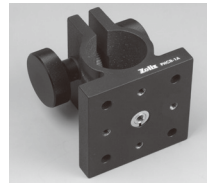
When using the PHCR-1 with the PHCR-3 universal mount clamp, first secure the PHCR-3 with a screw. Then, slightly loosen the screw to adjust the angle as needed, and tighten the screw again to fix the position.

**Related Products:**



PHSR38 Mounting Post  
PHCR-3 Universal Mounting Clamp

PHCR-1A Post Mounting Clamp



PHCR-1A is typically used with NPHR38 series mounting column. Through the gear rack on the surface of the mounting column, the clamp and the object can be firmly mounted on its surface.

Net weight 0.45kg

**Instructions:**

When using the PHCR-1A with the PHCR-3 universal mount clamp, first secure the PHCR-3 with a screw. Then, slightly loosen the screw to adjust the angle as needed, and tighten the screw again to fix the position.

**Related Products:**

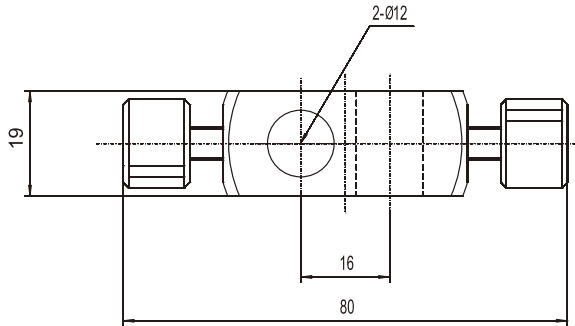


PHSR38 Mounting Post  
PHCR-3 Universal Mounting Clamp



# PHCP Series Crossing Post Clamp

PHCP-1 Right Angle Post Clamp

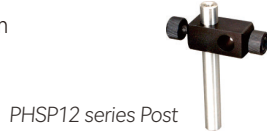


Right angle post clamp can combine the two post in 90 deg.

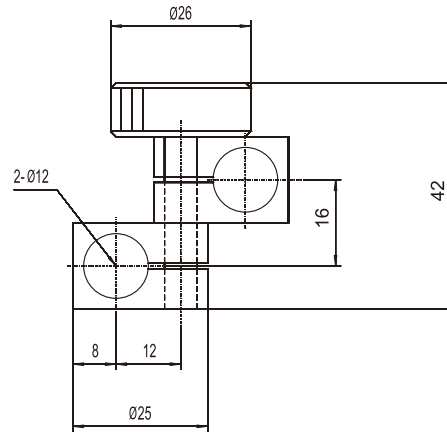
**Specifications:**

Mounting Hole: Two orthogonal 12mm diameter standard mounting holes  
 Net weight: 0.05Kg

**Related Products:**



PHCP-2 Crossing Post Clamp

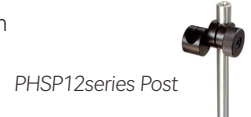


PHCP-2 crossing post clamp can combine the two post in any angle.

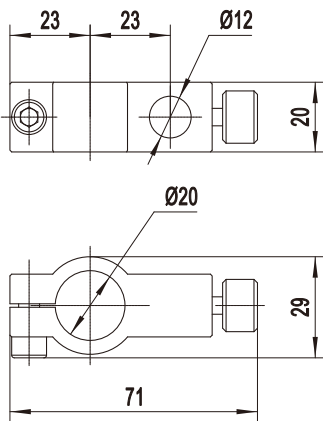
**Specifications:**

Mounting Holes: Two rotatable 12mm diameter standard mounting holes  
 Net weight: 0.05kg

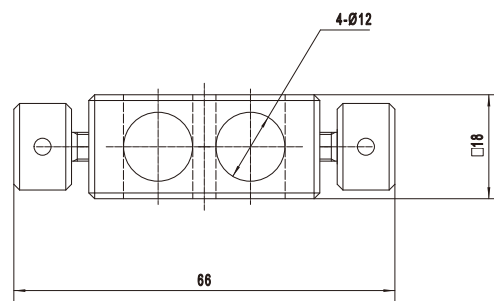
**Related Products:**



PHCP20-12 Right Angle Post Clamp



PHCP12-4H Dual Right Angle Post Clamp



## PHUC Series Universal Post Clamps



### Brief Introduction:

The PHUC series universal post clamp can fit posts at any angle. Two posts can be adjusted relative to each other within a 360° range and then locked in place using the thumb screw.

### Selection Table:

Model	A (mm)	B (mm)	C (mm)	D (mm)	E (mm)	Net Weight(Kg)
PHUC-1	60	30	12	12	33	0.12
PHUC-2	77	36	20	12	44	0.15
PHUC-3	77	36	20	20	41	0.15

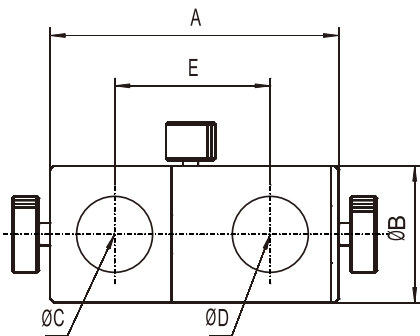
### Related Products:



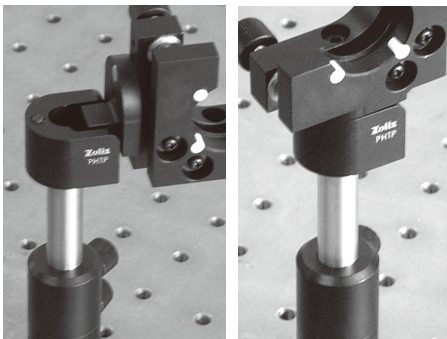
PHSP series Post

### Dimensions:

PHUC-1/2/3



## PHTP Series Mirror Mount Seat



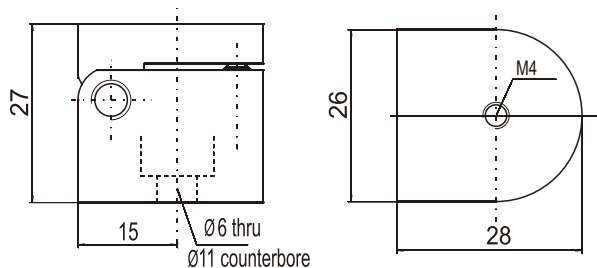
### Brief Introduction:

PHTP series mirror mount seat can switch the mirror mount in and out the optical path by 90 deg rotation.

Note: the kinematic mirror mount and the post must order separately

### Dimensions:

PHTP



# PHUP Series Universal Joint Bases



## Brief Introduction:

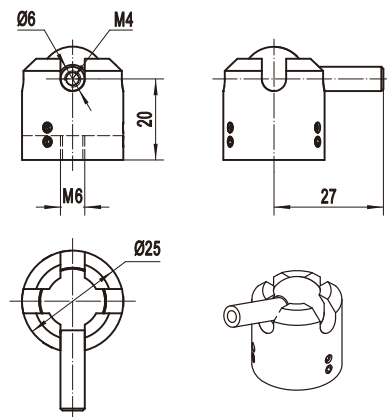
The PHUP series universal joint base features a ball and socket mounting platform, allowing for lockable angular positioning in any direction. It comes with a mounting plate and mounting holes, making it easy to connect with the post, post holder, and stage.

## Selection Table:

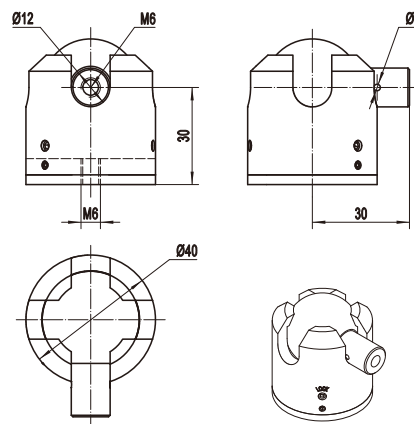
Model	PHUP	PHUP-30	PHUP-60
Post Diameter/Thread(mm)	Ø6/M4	Ø12/M6	Ø12/M6(with adaptor plate)
Pitch/yaw Tuning Range(°)	±90	±90	±90
Rotation Range(°)	-	-	360
Load Capacity(kg)	1	5	20
Max Torque(N·m)	0.5	2.5	10
Mounting Hole(mm)	M6 Thread hole	M6 Thread hole	4-Ø6.5 through holes, counterbore Ø11

## Dimensions:

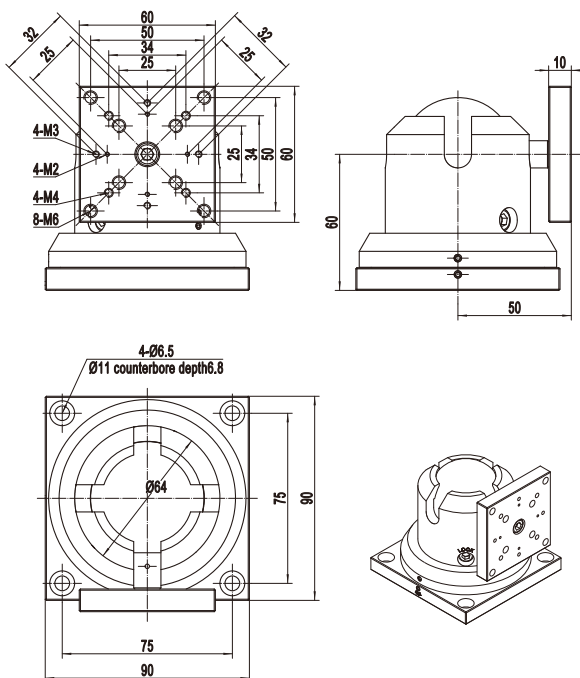
### PHUP



### PHUP-30

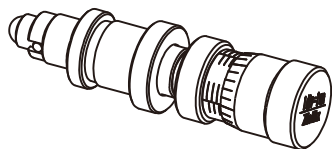


### PHUP-60



# Accessories

## DMH06 Series Adjustment Screws



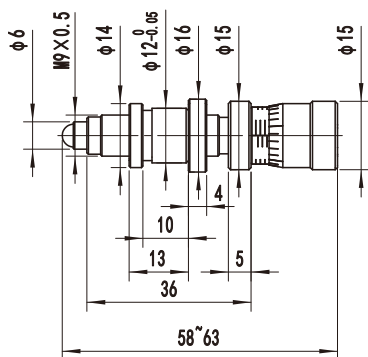
### Description:

DMH06 is based on ACFS and NAFS series thread, we have improved the manufacturing process step by step and developed a differential thread with a theoretical resolution of 0.001mm, which improves the sensitivity and convenience for precision adjustment.

### Features:

- Copper alloy is used to increase durability;
- The handwheel part is made of high quality aluminum alloy with black anodized surface to effectively prevent the reflection of stray light. The minimum reading is 0.001mm, which effectively improves the adjustment accuracy.

### Dimensions:



### Selection table:

Model	Translation range(mm)	Drive mechanism	Minimum reading scale(mm)	Screw Pitch(mm)	Net weight(g)	Mounting Hole Size(mm)
DMH06	Coarse adjustment: 13	Coarse/fine adjustment	Coarse adjustment: None	0.5	36	Ø12×10
	Fine adjustment: 0.5		Fine adjustment: 0.001	0.001		

# NAFS Series Adjustment Screw

## Description:

NAFS is based on ACFS series thread, we adopt 0.1mm/0.2mm pitch in this products to reach ultimate precision adjustment.

## Naming rule:

**NAFS 6 - M6 - 0.2P**

Series code:  
NAFS(New Adjustable Fine Screw): fine adjustment screw

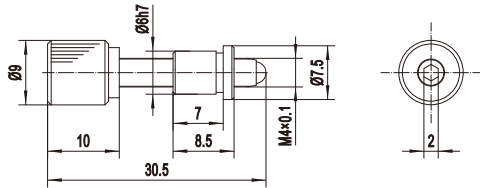
Adjustment range:  
6: 6.5mm  
13: 13mm

Thread:  
M4: 4mm  
M6: 6mm

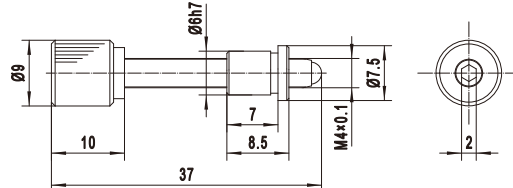
Pitch:  
0.1P: 0.1mm  
0.2P: 0.2mm

## Dimensions:

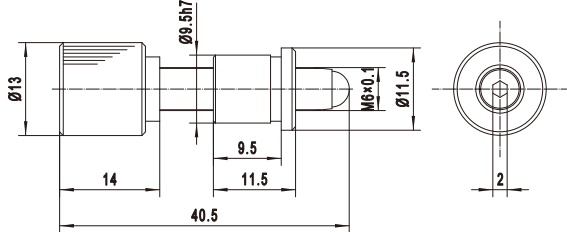
NAFS6-M4-0.1P



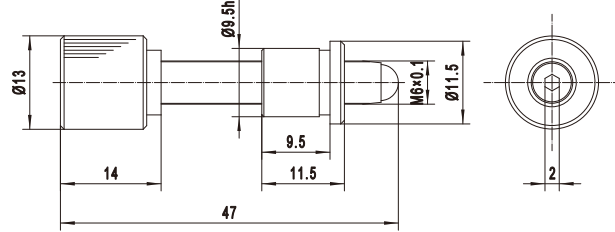
NAFS13-M4-0.1P



NAFS6-M6-0.1P

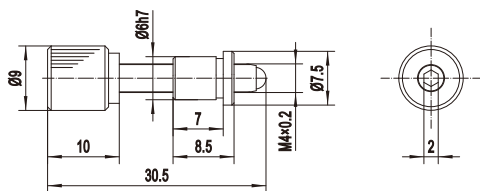


NAFS13-M6-0.1P

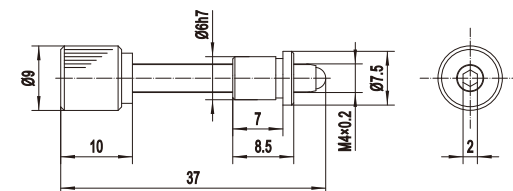


Model	NAFS6-M4-0.1P	NAFS13-M4-0.1P	NAFS6-M6-0.1P	NAFS13-M6-0.1P
Translation Range(mm)	6	13	6	13
Adjustment Screw and Pitch	M4×0.1		M6×0.1	
Mounting Diameter(mm)	Ø6		Ø9.5	
Mounting Length(mm)	7		9.5	
Overall Length(mm)	30.5	37	40.5	47
Thumb Wheel Diameter(mm)	Ø9		Ø13	

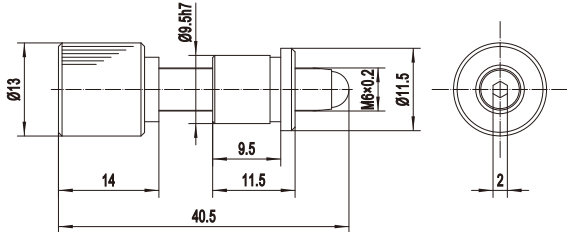
NAFS6-M4-0.2P



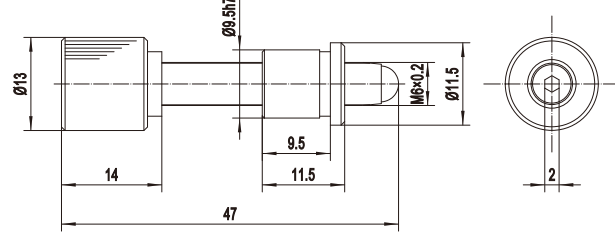
NAFS13-M4-0.2P



NAFS6-M6-0.2P

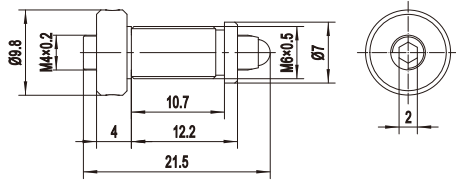


NAFS13-M6-0.2P

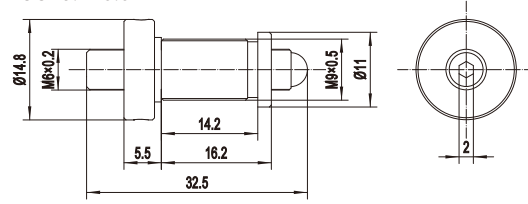


Model	NAFS6-M4-0.2P	NAFS13-M4-0.2P	NAFS6-M6-0.2P	NAFS13-M6-0.2P
Translation Range(mm)	6	13	6	13
Adjustment Screw and Pitch	M4×0.2		M6×0.2	
Mounting Diameter(mm)	Ø6		Ø9.5	
Mounting Length(mm)	7		9.5	
Overall Length(mm)	30.5	37	40.5	47
Thumb Wheel Diameter(mm)	Ø9		Ø13	

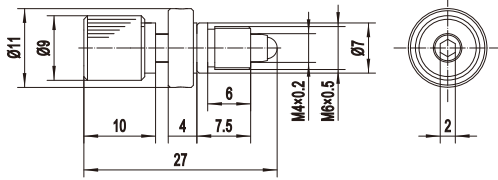
AUS12.7-3.0



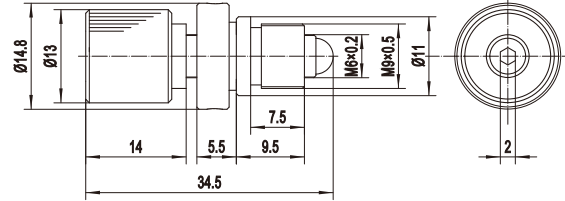
AUS25.4-3.0



NLXY25.4-6.0



NLXY50.8-6.0



Model	AUS12.7-3.0	AUS25.4-3.0	NLXY25.4-6.0	NLXY50.8-6.0
Translation Range(mm)	4	8.5	4	4
Adjustment Screw and Pitch	M4×0.2	M6×0.2	M4×0.2	M6×0.2
Mounting Size(mm)	M6×0.5	M9×0.5	M6×0.5	M9×0.5
Mounting Length(mm)	10.5	14	6	7.5
Overall Length(mm)	21.5	32.5	27	34.5
Thumb Wheel Diameter(mm)	/		Ø9	Ø13
Locking Direction	Axial locking			

# ACFS Series Adjustment Screw

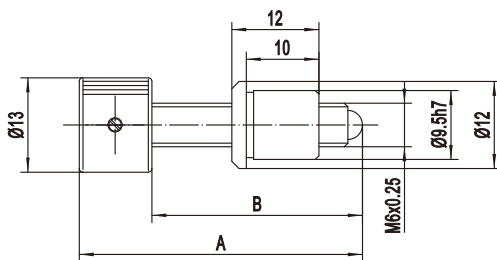


## Brief Introduction:

ACFS series adjustment screw is the cost effective mechanics to adjust the position without reading scales. Normally the micrometer drive screw pitch is 0.5mm, the fine adjustment screw can down to 0.25mm or more. So in the case of no need of the reading scales of the micrometer, the fine adjustment screw can be more sensitivity and less cost. Zolix adjustment screw has the same mounting diameter  $\varnothing 9.5\text{mm}$  as micrometer drive, so that each of them can be switched easily.

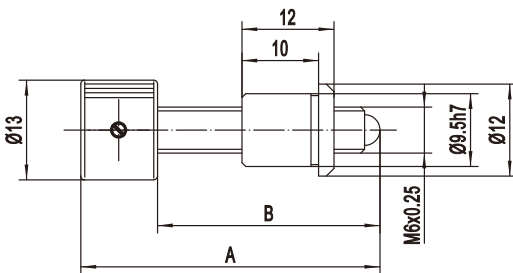
## Dimensions:

ACFS06-1A/ACFS25-1



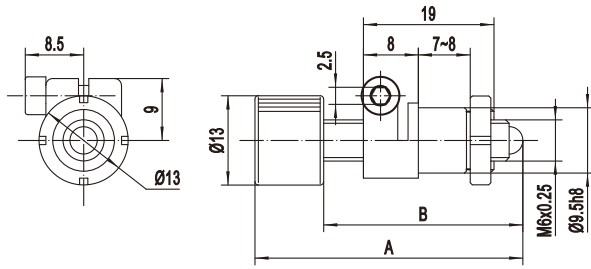
Model	Translation Range (mm)	Adjustment Screw Thread	Screw Pitch (mm)	Mounting Diameter(mm)	Mounting Length(mm)	Overall Length A (mm)	Screw Rod Length B (mm)	Thumb Wheel Diameter (mm)
ACFS06-1A	6	M6x0.25	0.25	$\varnothing 9.5$	10	32	22	$\varnothing 13$
ACFS25-1	25					61	41	

ACFS06-2A/ACFS13-2/ACFS25-2



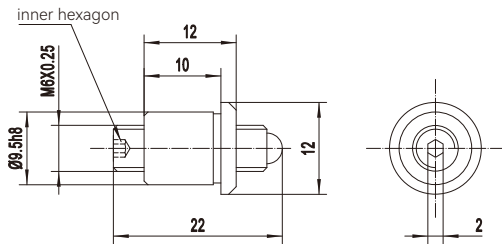
Model	Translation Range (mm)	Adjustment Screw Thread	Screw Pitch (mm)	Mounting Diameter (mm)	Mounting Length(mm)	Overall Length A (mm)	Screw Rod Length B (mm)	Thumb Wheel Diameter (mm)
ACFS06-2A	6	M6x0.25	0.25	$\varnothing 9.5$	10	32	22	$\varnothing 13$
ACFS13-2	13					39	29	
ACFS25-2	25	M6x0.5	0.5			61	41	

ACFS13-2S



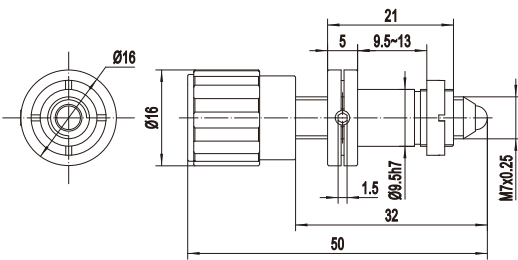
Model	Translation Range(mm)	Adjustment Screw Thread	Screw Pitch (mm)	Mounting Diameter(mm)	Mounting Length(mm)	Overall Length A (mm)	Screw Rod Length B (with ball)(mm)	Thumb Wheel Diameter (mm)	Locking
ACFS13-2S	13	M6x0.25	0.25	Ø9.5	7~8	39	29	Ø13	Radial locking

ACFS06-2

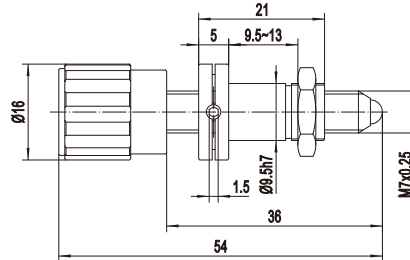


Model	Translation Range (mm)	Adjustment Screw Thread	Screw Pitch (mm)	Mounting Diameter(mm)	Mounting Length(mm)	Overall Length (mm)	Adjustment method
ACFS06-2	6	M6x0.25	0.25	Ø9.5	10	22	inner-hexagon

ACSF-N100-0.35



ACSF-N100-0.5



Model	Translation Range(mm)	Adjustment Screw Thread	Screw Pitch(mm)	Mounting Diameter(mm)	Mounting Length(mm)	Overall Length (mm)	Screw Rod Length (with ball)(mm)	Thumb Wheel Diameter (mm)	Locking
ACSF-N100-0.35	10	M7x0.25	0.25	Ø9.5	9.5~13	50	32	Ø16	Radial locking
ACSF-N100-0.5	13	M7x0.25	0.25	Ø9.5		54	36		

# RAOB Series Guideway



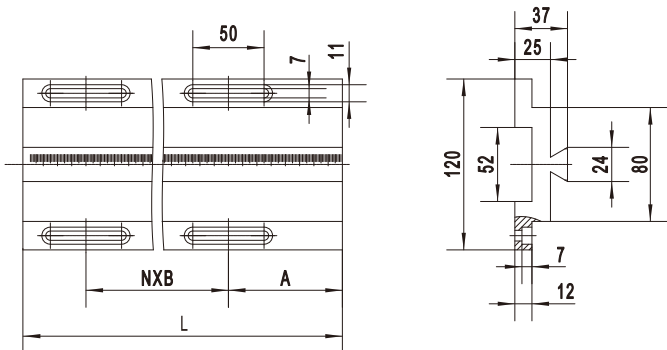
## Description:

By using it with the RACA sliding carrier(next page), it's able to quickly build a coaxial optical system to ensure the collimation of the optical path and the convenience of adjustment. The bottom width of the guide rail is 120mm, with a large contact area; black aluminum alloy can effectively prevent stray light.

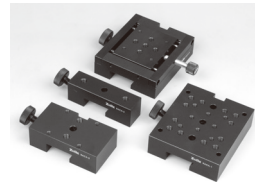
## Selection table:

Model	RAOB02-1	RAOB03-1	RAOB04-1	RAOB05-1	RAOB10-1	RAOB15-1	RAOB20-1
Overall length L(mm)	200	300	400	500	1000	1500	2000
Mounting Hole distance to the edge A(mm)	50	80					
Mounting Hole Center distance B (mm)	100	140	240	170	280	335	460
Fixed hole spacing number N	1			2	3	4	
Weight(Kg)	1.15	1.73	2.3	2.85	5.75	8.65	11.5

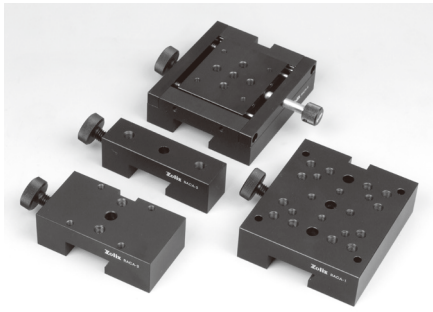
## Dimensions:



## Related products:



# RACA Series Sliding Carriers

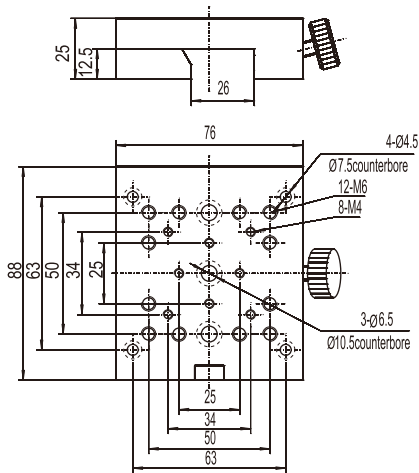


## Description:

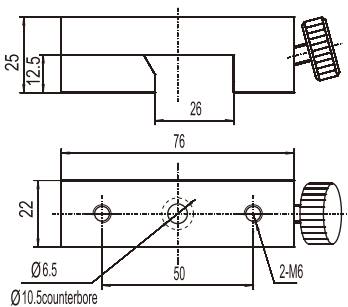
The dovetail structure of the RACA series sliding bracket is compatible with the RAOB guide rail (previous page), making it easy to adjust the position and with high repeatability. Side mounted thumbscrew can be used to secure slide carrier to the guideway. Sliding carriers of different widths meet different applications. Especially, RACA-4 sliding carrier can be finely adjusted laterally using a  $m6 \times 0.25$  fine thread.

## Dimensions:

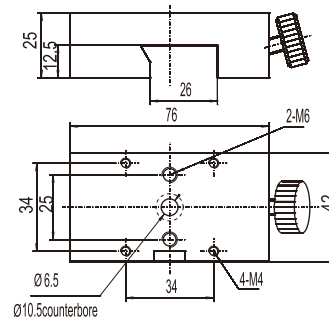
RACA-1  
Net Weight: 0.4Kg



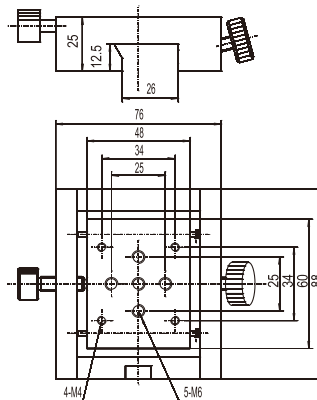
RACA-3  
Net Weight: 0.1Kg



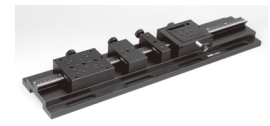
RACA-2  
Net Weight: 0.2Kg



RACA-4  
Fine Tuning Range:  $\pm 5$ mm Net Weight: 0.4Kg

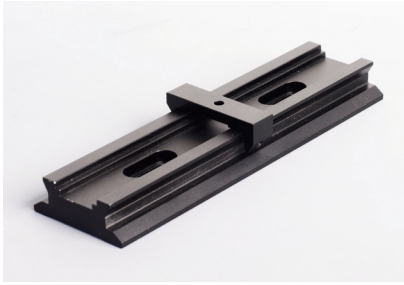


## Related Products:



RAOB series Optical Rail

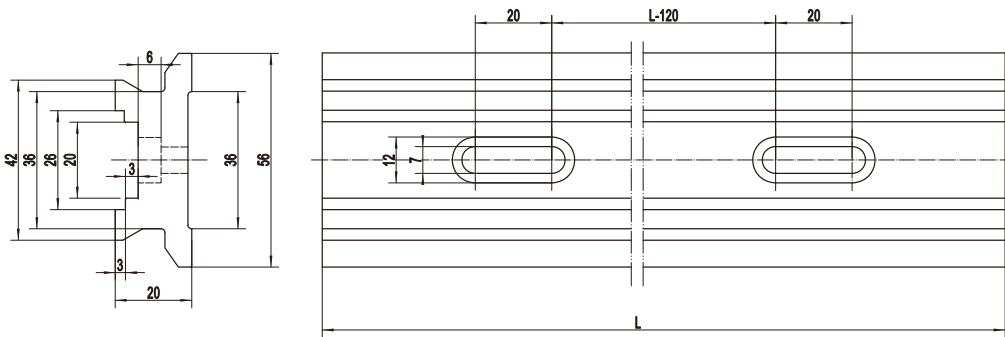
# RAOB-M Series Miniature Optical Rail System



RAOB-M series optical rail adopts miniature precision dovetail, which can be assembled freely for building optical system on desktop.

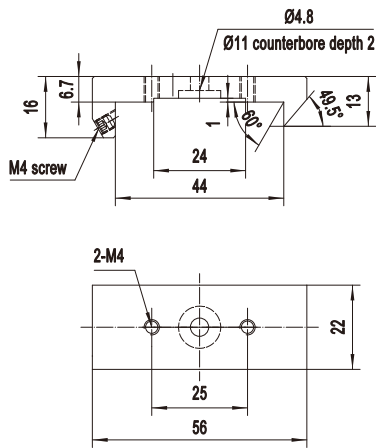
## Dimensions:

Model	Length L(mm)
RAOB-M2	200
RAOB-M3	300

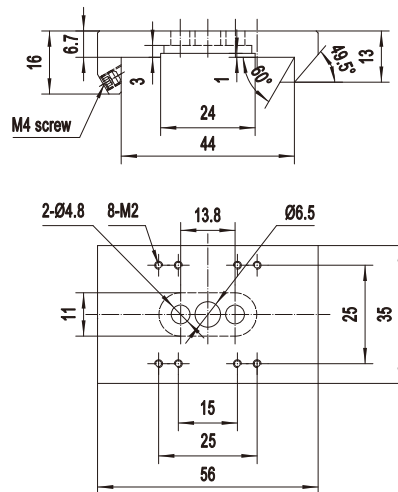


## Dimensions:

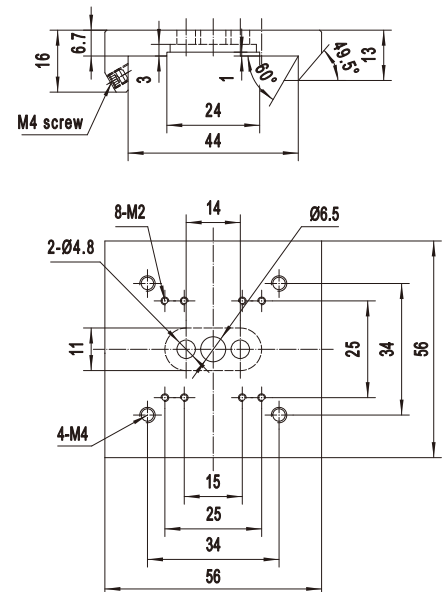
RACA-M1



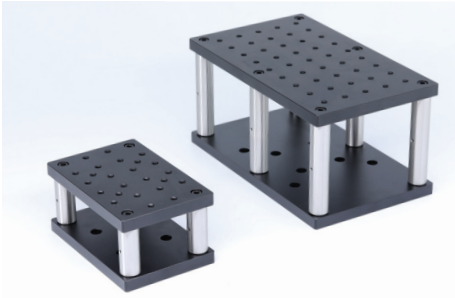
RACA-M2



RACA-M3



# FHT Series Fixed Height Table



## Description:

The main material of this product series is premium aluminum alloy. It consists of upper and lower flat plates connected by stainless steel rods. This design is stable and reliable, with a high load capacity, making it suitable for installing various optical and mechanical components.

## feature:

Material appearance: the main body is made of high-quality aluminum alloy, and the surface is black anodized to effectively prevent stray light.

## Naming rule:

**PFHT 25 75-75**

Series code:  
FHT: Fixed Height Table

Table Length:  
15:150mm  
25:250mm

Table Width:  
10: 100mm  
15: 150mm

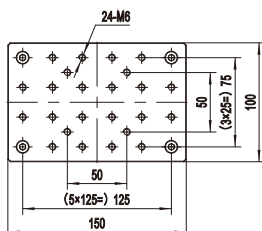
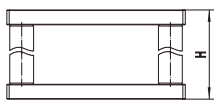
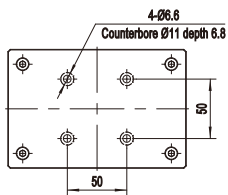
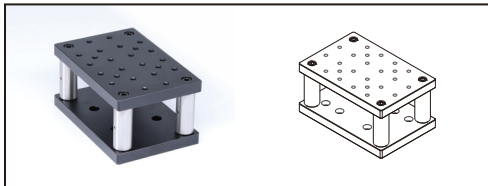
Table Height:  
75:75mm  
125:125mm  
175:175mm  
225:225mm

## Selection table:

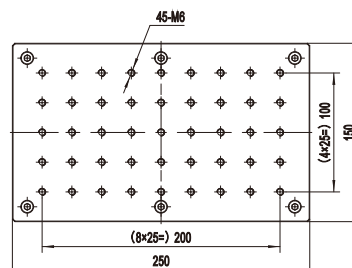
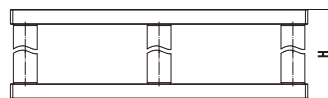
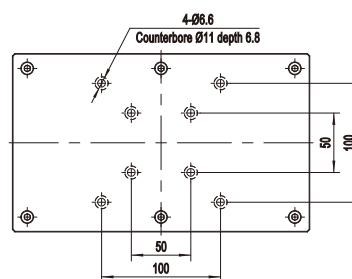
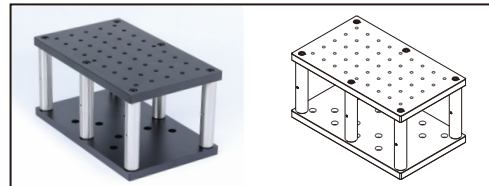
Model	FHT1510-75	FHT1510-125	FHT2515-75	FHT2515-125	FHT2515-175	FHT2515-225
Table Size(mm)	150×100		250×150			
Overall Height H(mm)	75	125	75	125	175	225
Static Parallelism(mm)	≤0.1		≤0.15			

## Dimensions:

FHT1510-xx



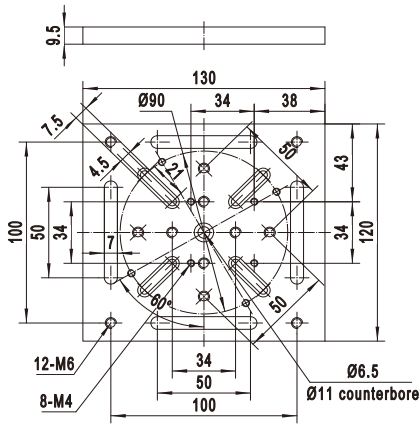
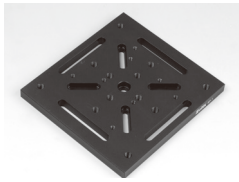
FHT2515-xx



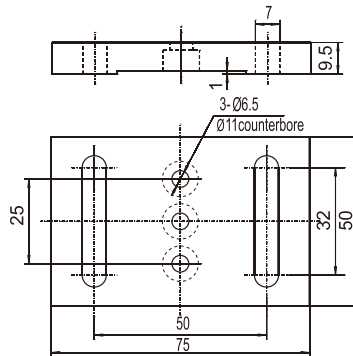
# BP Series Base Plate

The BP series base plate was invented to facilitate the flexible combination and stacking of various stages. It is made of high-quality black anodized aluminum alloy, which can effectively prevent light stray and has a solid performance. There are a variety of mounting holes on it, making it highly adaptable.

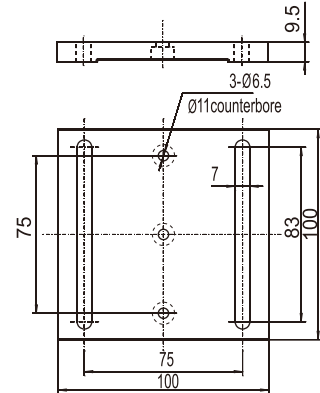
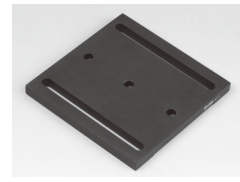
BP-1 Base Plate



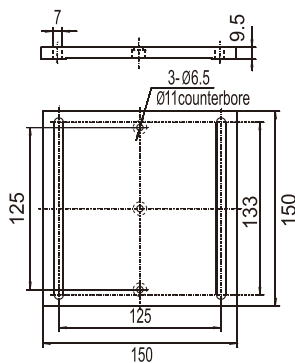
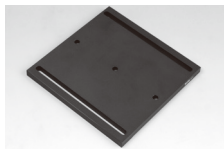
BP-3 Base Plate



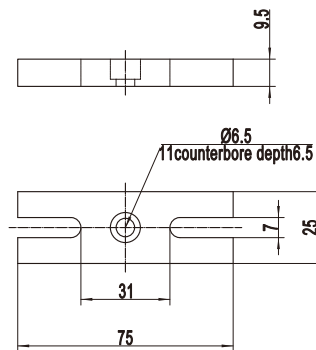
BP-4 Base Plate



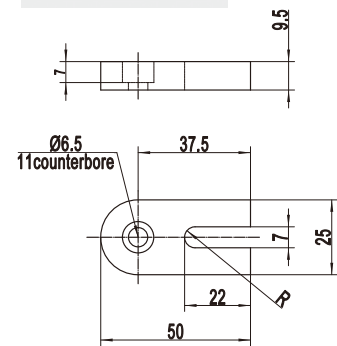
BP-5 Base Plate



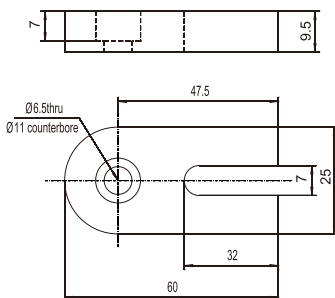
BP-7 Base Plate



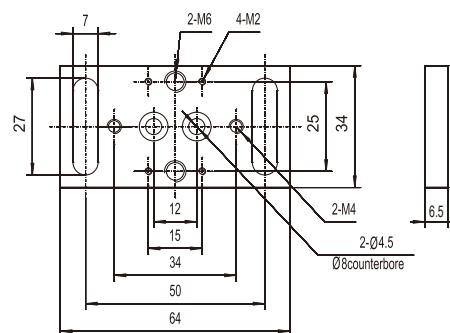
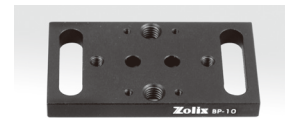
BP-8 Base Plate



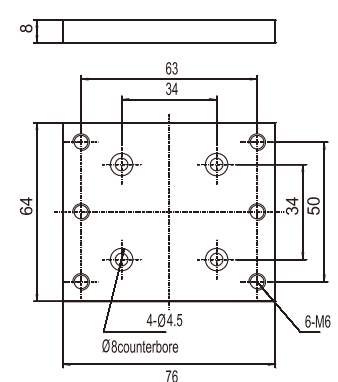
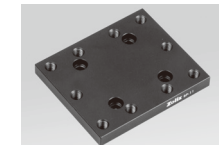
BP-8A Base Plate



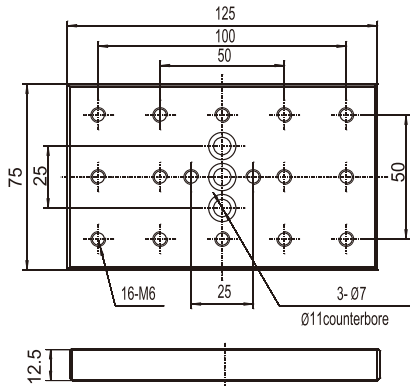
BP-10 Base Plate



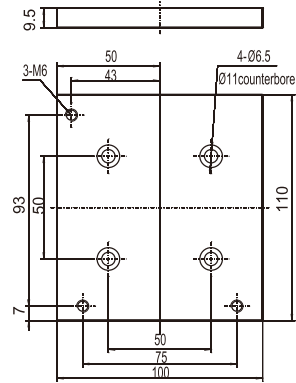
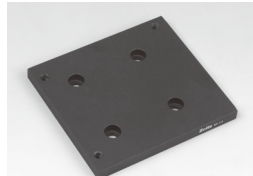
BP-11 Base Plate



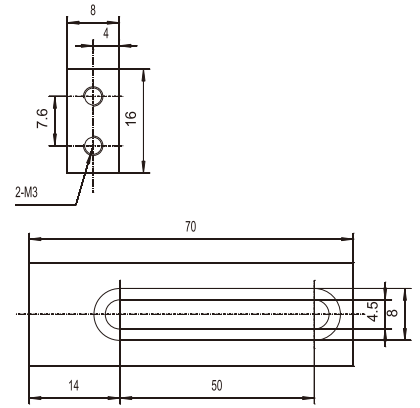
BP-12 Base Plate



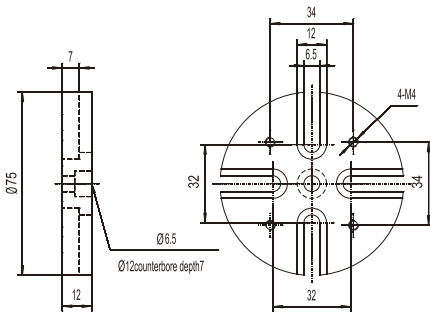
BP-14 Base Plate



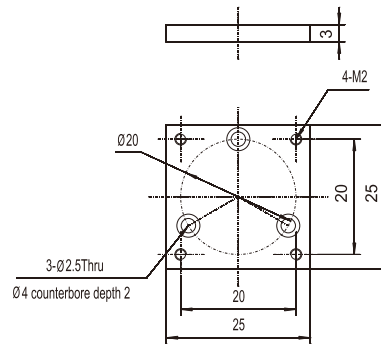
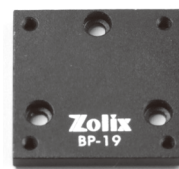
BP-15 Base Plate



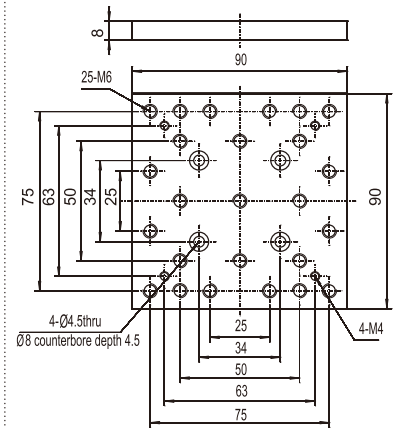
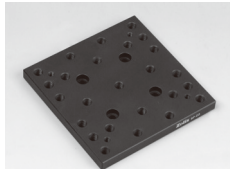
BP-18 Base Plate



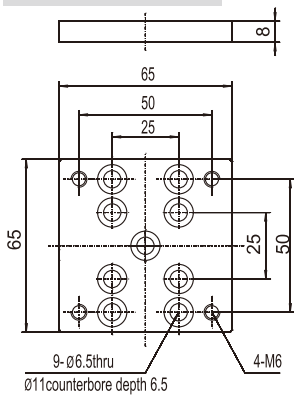
BP-19 Base Plate



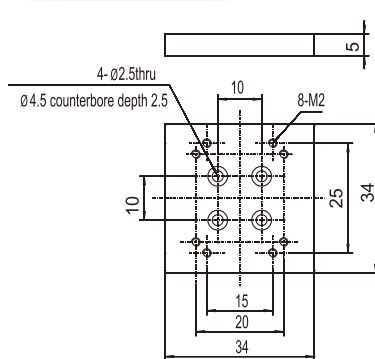
BP-20 Base Plate



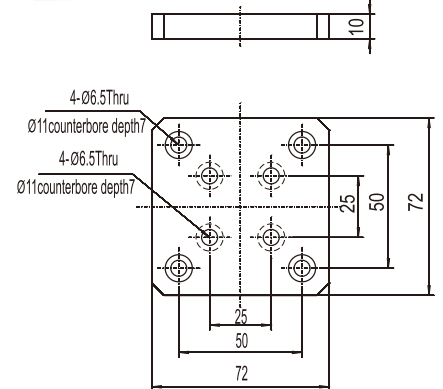
BP-21 Base Plate



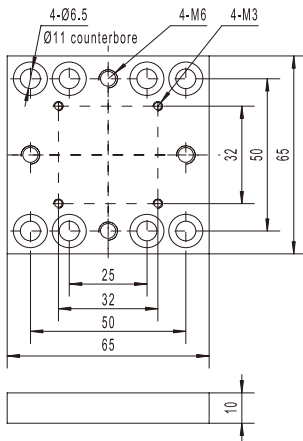
BP-22 Base Plate



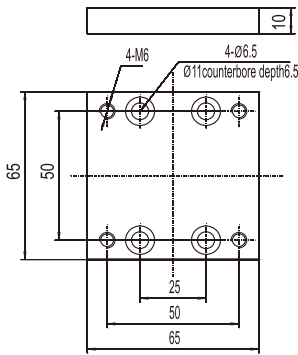
BP-24 Base Plate



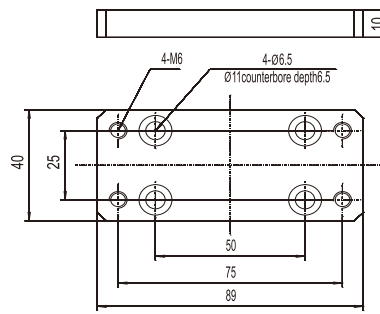
BP-25 Base Plate



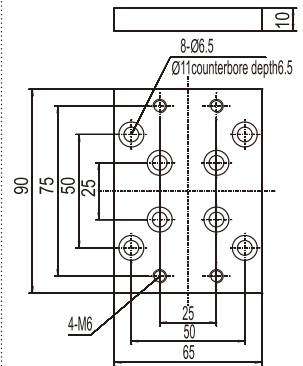
BP-26 Base Plate



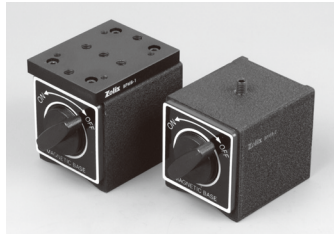
BP-27 Base Plate



BP-28 Base Plate

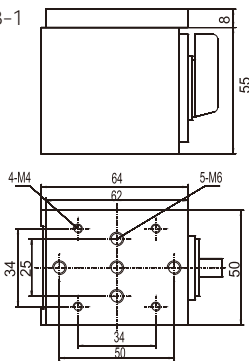


BPMB-1/BPMB-2 Magnetic Base

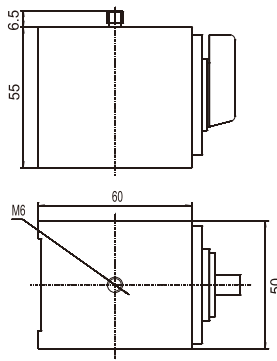


The magnetic base is flexible and convenient for mounting and fixing, making it widely used in laboratories. Simply turn off the magnet to move it to the desired position, then turn the magnet on to secure it to the optical table.

BPMB-1



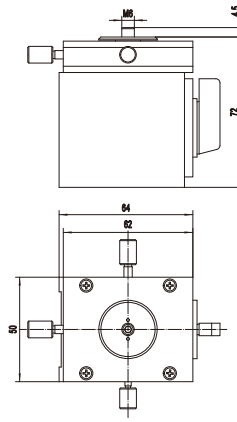
BPMB-2



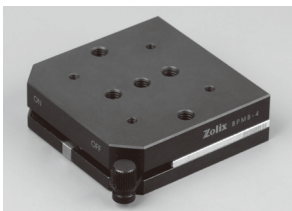
BPMB-3 Magnetic Base



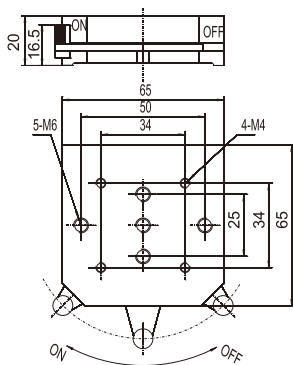
The BPMB-3 magnetic base features an x-y 2D translation stage on top, with an M4x0.3 fine-tuning screw thread and locking mechanism. It can be upgraded to 3D adjustment by using either an adjustable post holder or a rotary post holder.



BPMB-4 Ultra-Thin Magnetic Base



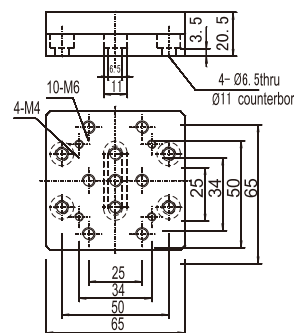
Main body made from steel, ultra-thin and stable. the magnet force can be continuously tuned from zero to max.



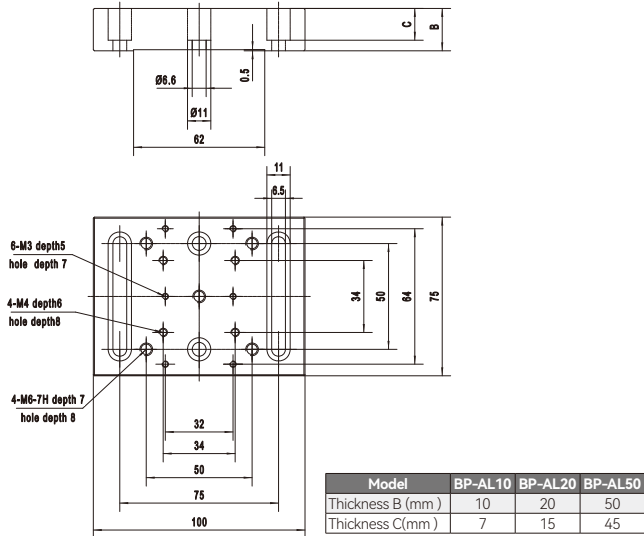
BPKB-2 Resettable Magnetic Base



The BPKB-2 features a two-plate design. One plate is mounted securely on the optical table, while the other plate attaches easily to the first plate using magnets activated by a switch. The positioning mechanism ensures high repeatability and stability.



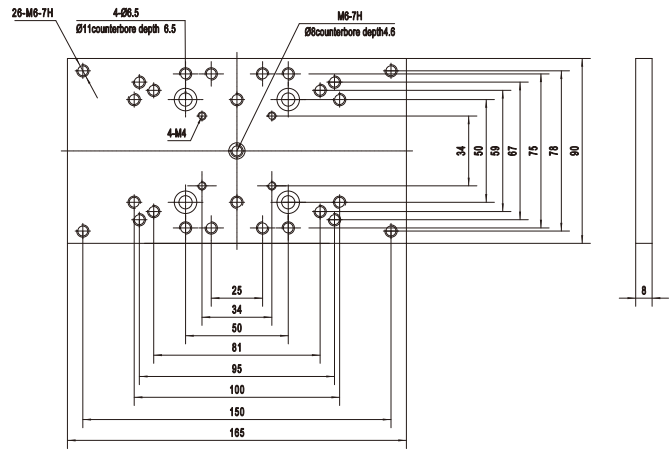
### AL10/20/50 Aluminum Alloy Cushion Block



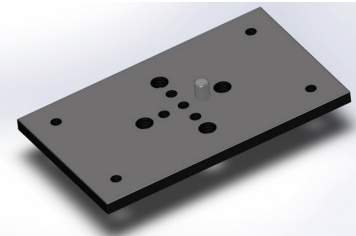
### BP-DPSS General Mounting Plate for



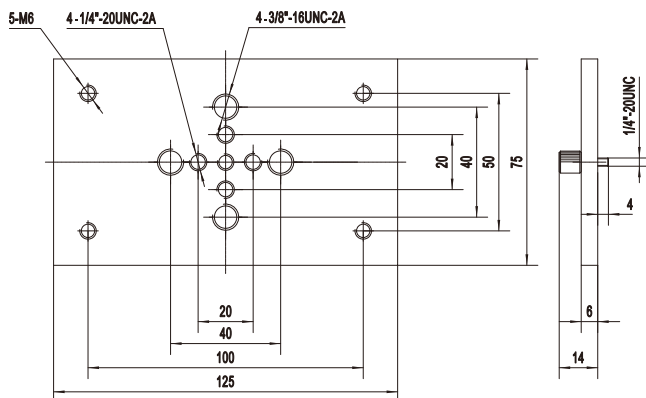
- Include 4 of 59×81, 67×95, 78×150 position M6 Mounting hole
- Center with M6 and Ø8 sink hole
- Many M6 and M4 thread holes and Ø6.5 sink holes other place



### BP-DC Digital Camera Fixing Plate



Using the 1/4" screw thread fix the digital camera to the post or plate



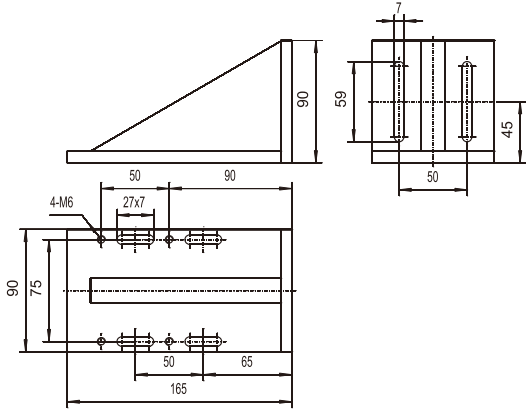


PHOB-6

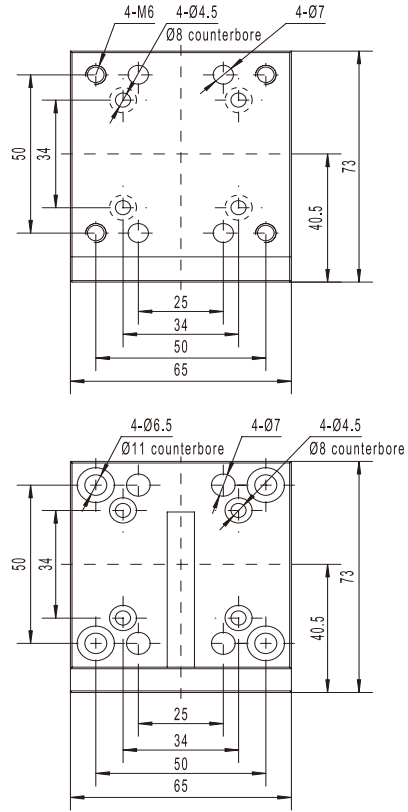


Net Weight: 0.5Kg

Example:



PHOB-8



## NAT Series Alignment Disk



### Brief Introduction:

NAT series alignment disk help simplify the process of aligning an optical system. NAT alignment disk are available for compatibility with NLB lens mounts or other round clamp.

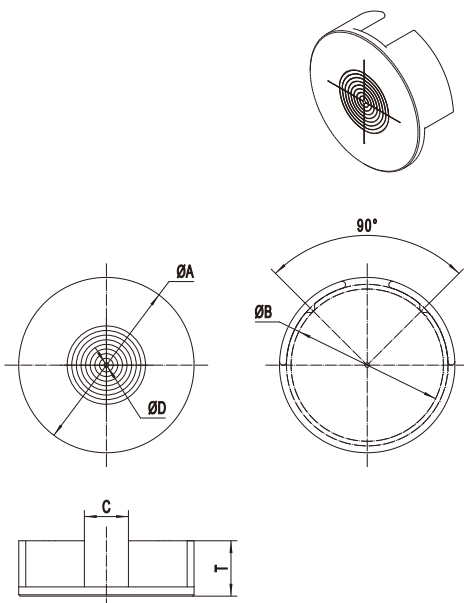
### Features:

- Aluminium alloy, surface treated by black anodic oxidation.
- Easy to use
- Center hole 1mm, min. reading scale 1mm

### Selection Table:

Model	NAT12.7	NAT25.4	NAT38.1	NAT50.8
Compatible Lens Mount	NLB12.7	NLB25.4	NLB38.1	NLB50.8
Out Ring Diameter A(mm)	Ø25	Ø38	Ø51	Ø64
Alignment Ring Diameter B(mm)	Ø20	Ø33	Ø46	Ø59
Open Slot Width C(mm)	7.5	9.5	11.5	11.5
Center Hole Diameter D(mm)	Ø1			
Min. Reading Scale (mm)	1			
Main Body Material and Treatment	aluminium alloy, surface treated by black anodic oxidation.			
Overall Thickness T(mm)	9	12	12	14
Net Weight (g)	3	8.5	14.5	22.5

### Dimensions:

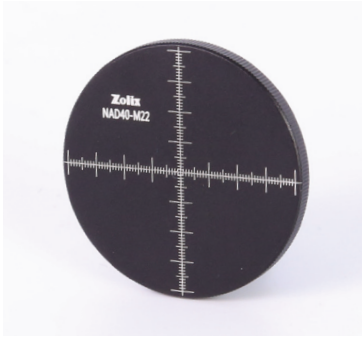


### Related Products:



NLB Lens Mount

## NAD Series Alignment Disk



### Brief Introduction:

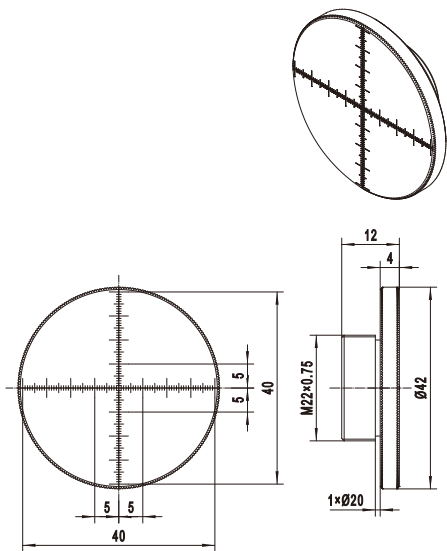
NAD series alignment disk help simplify the process of aligning an optical system. NAD alignment disk are available for compatibility with OMxA OMxA kinematic mount or other M22×0.75 round clamp.

### Features:

The main body is made of black anodized aluminum alloy, which can effectively reduce stray light.  
Simple design, easy to use, easy to disassemble and assemble.  
The target surface is engraved with cross lines for accurate reading, with a minimum resolution of 0.5mm

### Dimensions:

NAD40-M22



### Related Products:



OMHS-LBE22

## Nxx Series Aluminum Protective Screens



### Brief Introduction:

NxB series aluminum protective screens prevent stray or unwanted light from entering or exiting an experimental setup. The aluminum is treated prior to anodization to create a homogeneously diffusive surface. So it may also using in the holographic imaging screen. We also have the aluminum protective screen with scales, the min reading scale is 1mm

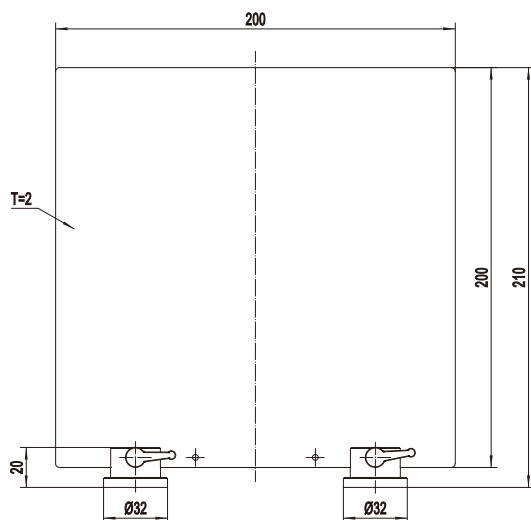
### Features:

- Aluminium alloy, surface treated by black anodic oxidation or matte treatment in white
- Easy to use
- With magnet in the seat. easy to mount on the optical table

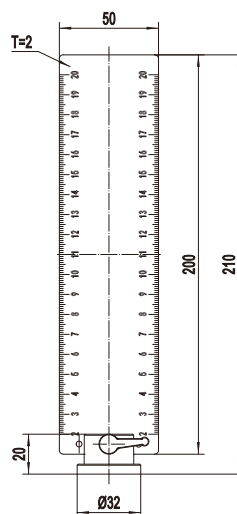
Note: There is still risk of the scattered high power laser enter eyes, please take on your laser goggles.

### Dimensions:

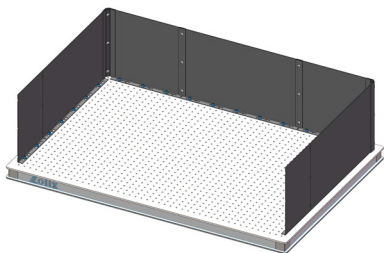
NBB200(Black)/NWB200(White)



NHR200



## LSOB Series Protective Screens



### Description:

This protective screen is made of aluminum alloy, and its surface has been specially treated to obtain a uniform scattering surface, which can prevent stray light or harmful light from entering or exiting the optical experimental device.

- Black anodized surface, effectively reduce stray light.
- Simple design, convenient and easy to use.

### Features:

### Selection table:

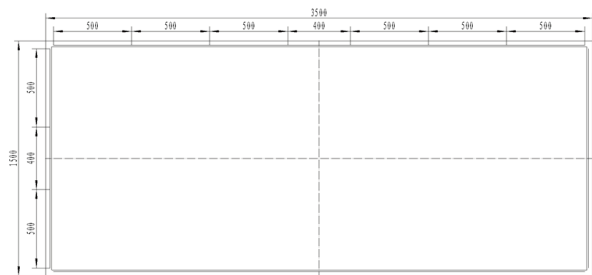
Model	Item Name	Remarks
LSOB30-20	Protective Screen	Height 30cm, width 20cm; with screws
LSOB30-30	Protective Screen	Height 30cm, width 30cm; with screws
LSOB30-40	Protective Screen	Height 30cm, width 40cm; with screws
LSOB30-50	Protective Screen	Height 30cm, width 50cm; with screws
LSOB30-1	Splint	With screws
LSOB30-2	Accessories	Include right angle connector and screws

Note: please prefer LSOB30-50 as primary election, followed by LSOB30-40, LSOB30-30, LSOB30-20.

### Guidance to confirm the quantity of protective screen:

Optical Table Length (cm)	L
Protective Screen 1 width (cm)	X
Protective Screen 1 quantity(pc)	N1
Protective Screen 2 width (cm)	Y
Protective Screen 2 quantity(pc)	N2
Number of splint(pc)	N3

### Sample:



Optical Table Length(L) 350cm, width(W) 150cm

Number of protective screen N1= (L-10) /X=(350-10) /50=6.8, choose 6

Number of protective screen N2= (L-10) /X=(350-10) /50=6.8, choose 6

Optical Table Length(L) 350cm, width(W) 150cm

Method to calculate screen number of long side:

Number of protective screen N1= (L-10) /X=(350-10) /50=6.8, choose 6

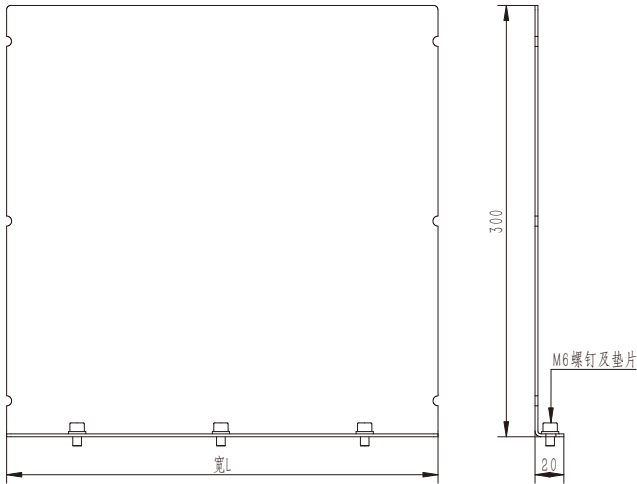
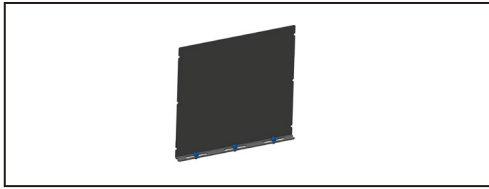
Number of protective screen N2= (L-10-X\*N1) /Y=(350-10-50\*6) /40=1

Number of protective screen N3=N1+N2-1=6+1-1=6

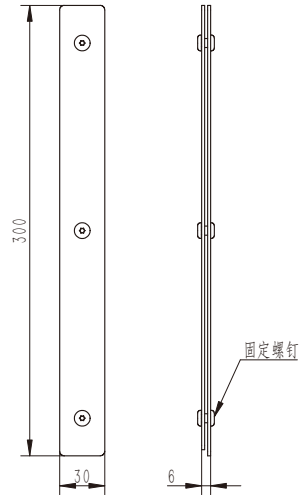
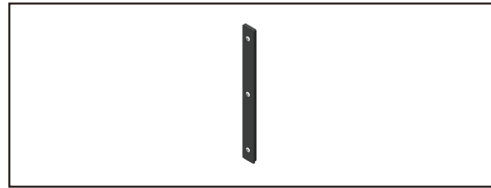
Same method to calculate screen number of short side.

Dimensions:

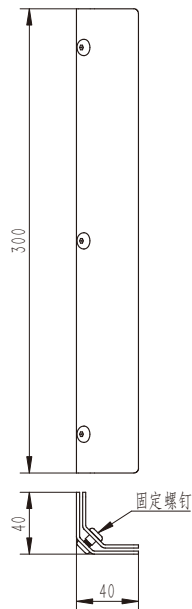
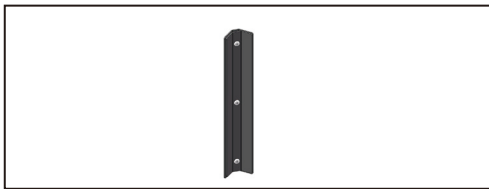
LSOB30-xx



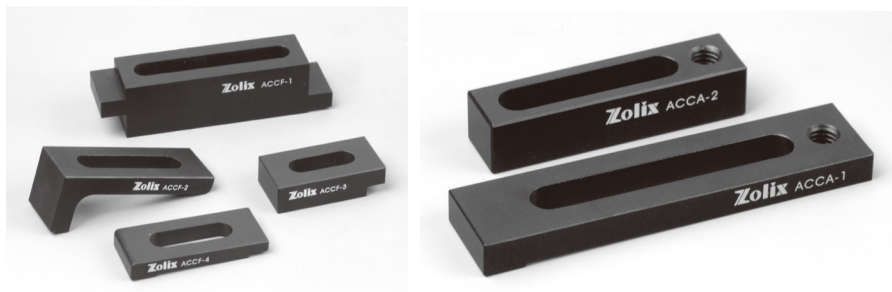
LSOB30-1



LSOB30-2



# ACCA/ACCF Series Table Clamp

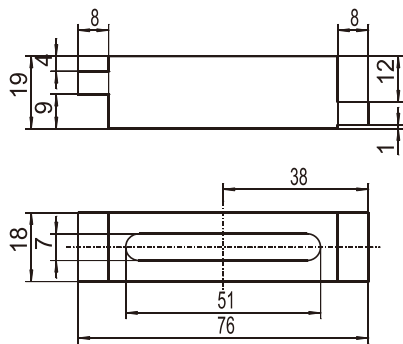


## Brief Introduction:

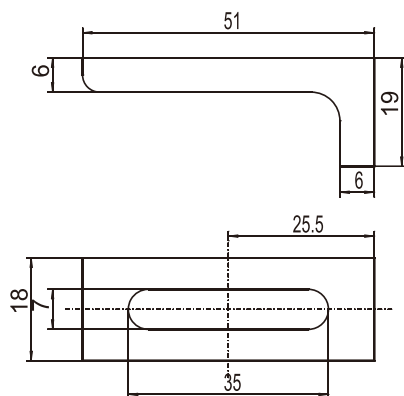
ACCF series table clamp can fix and lock optical and optomechanical components on any position of the optical table. It is convenient and reliable to move. ACCA series are height adjustable and more flexible to use.

## Dimensions:

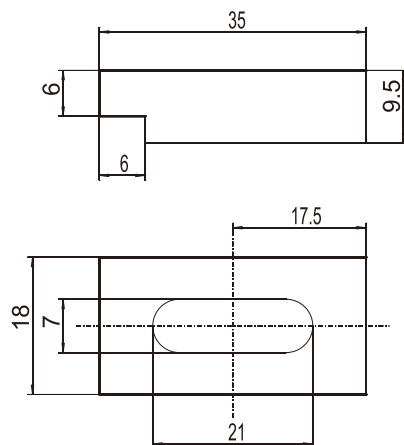
ACCF-1



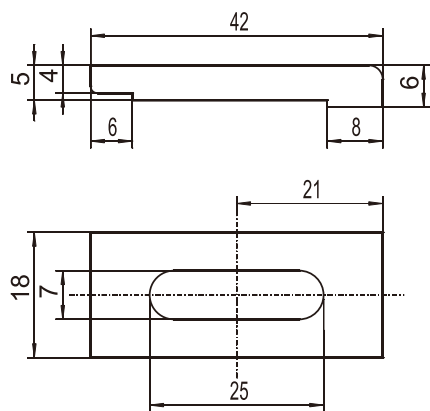
ACCF-2



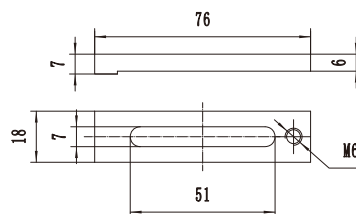
ACCF-3



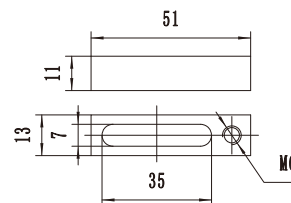
ACCF-4



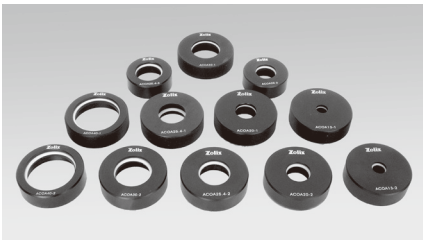
ACCA-1



ACCA-2

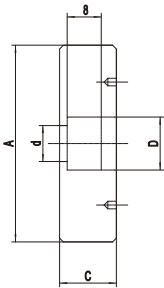


## ACOA Series Adapter Rings



ACOA is designed to accommodate different sized optics. This series of adapter rings can be divided into two types according to their outer diameter: type 1 has an outer diameter of M52x1 thread, and type 2 has an outer diameter of 50.8.

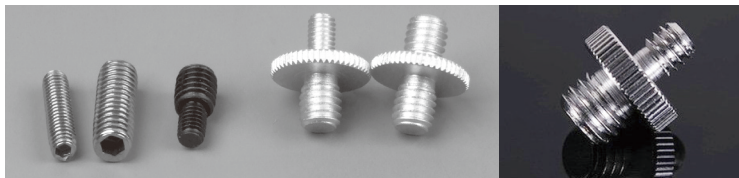
### Dimensions:



### Selection table:

Model	A(mm)	C(mm)	D(mm)	d(mm)
ACOA25.4-1	M52×1	15	Ø26	Ø22
ACOA25.4-2	Ø50.8	15	Ø26	Ø23.5
ACOA30-1	M52×1	15	Ø30	Ø26
ACOA30-2	Ø50.8	15	Ø30	Ø28
ACOA40-1	M52×1	15	Ø40	Ø38
ACOA40-2	Ø50.8	15	Ø40	Ø38

## ACS Series Adapter Screws



### Note:

ACS: Without flange, stainless steel material.

ACSF: With flange, aluminium alloy material. M stands for male screw thread, F stands for female screw thread.

### Selection Table:

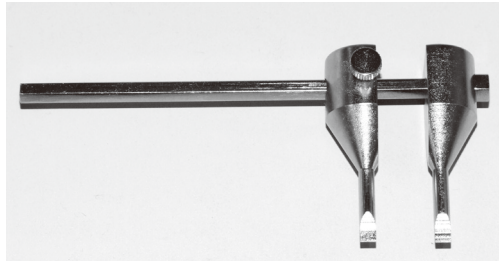
M is Male, F is Female

Model	Name
ACS-M4-M4	M4-M4Screw Thread Adapters(no flange)
ACS-M6-M6	M6-M6Screw Thread Adapters(no flange)
ACS-M6-M4	M6-M4Screw Thread Adapters(no flange)
ACS-F6-F4	F6-F4 Screw Thread Adapters
ACS-F6-F6.35	F6-F6.35(1/4") Screw Thread Adapters
ACSF-M6-M4	M6-M4 Screw Thread Adapters (with Flange)
ACSF-M6-M6	M6-M6 Screw Thread Adapters (with Flange)
ACSF-M4-M4	M4-M4 Screw Thread Adapters (with Flange)
ACSF-M6-M6.35	M6-M6.35(1/4") Screw Thread Adapters (with Flange)
ACSF-M9.525-M6.35	M9.525(3/8")-M6.35(1/4")Screw Thread Adapters (with Flange)

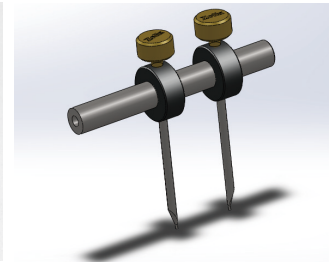
## SK Series Screw Kit and Tools



SB-1/2/E Hex Key Set



SB-OM Mirror Ring Wrench



SB-MU Multi-Purpose Adjustable Wrench



SB-ST1 General Tools (small size)



SB-ST2 General Tools (big size)



Hand Wheel and Hex Key

### Description:

In order to facilitate your installation, assembly and adjustment, our company has various specifications of screws and a variety of tools for you to choose from.

### Selection table:

Model	Item name	Description
SK-W	Screw box (white)	M3 White screw(15 pcs each for 8/10/12 mm); M4 White screw(15 pcs each for 10/12/16mm) M6 White screw(30pcs for 10mm, 15 pcs each for 12/16/20mm); White flat washer(15 pcs each for M3/M4/M6) M4 White Setscrew(15 pcs for ACS-M4-M4 ); M6 White Setscrew(15 pcs for ACS-M6-M6 )
SK	Screw box	M3Black screw(15 pcs each for 8/10/12mm); M4Black screw(15 pcs each for 10/12/16mm) M6Black screw(30 pcs for 10mm, 15 pcs each for 12/16/20mm); 15 pcs each for M3/M4/M6 black flat washer M4White Setscrew(15 pcs for ACS-M4-M4 ); M6White Setscrew(15 pcs for ACS-M6-M6 )
SK-E	Imperial screw box	Imperial Cylindrical Head Hexagon Socket Screw: #6-32x L (L=1/4 ; 1/2 ; 3/4 ) 15 pcs for each length #8-32x L (L=1/4 ; 1/2 ; 3/4 ) 15 pcs for each length #10-24x L (L=1/4 ; 1/2 ; 3/4 ) 15 pcs for each length 1/4-20x L (L=1/4 ; 1/2 ; 3/4 ) 15 pcs for each length Imperial nut: (#6-32 )/(#8-32 )/(#10-24 )/(1/4-20 ) 15 pcs for each length
SB-1	Metric small size hex key	1.5, 2, 2.5, 3, 4, 5
SB-2	Metric big size hex key	1.5, 2, 2.5, 3, 4, 5, 6, 8, 10
SB-E	Imperial hex key	1/16, 5/64, 3/32, 7/64, 1/8, 9/64, 5/32, 3/16, 7/32, 1/4, 5/16, 3/8
OMUS-HW	Hand wheel	Compatible for all kinds of kinematic mounts and NAFS series screws
NMV-HW	Hand wheel	Compatible for all kinds of kinematic mounts and NAFS series screws
HEXBAR-#5	Hex key	Compatible for NAFS series screws
SB-OM	Mirror Ring Wrench	Adjustable range 2~100mm Flat head screwdriver type
SB-MU	Multi-purpose adjustable wrench	Adjustable range 10~80mm The front end is pointed, the handle is 12mm diameter stainless steel, good versatility
SB-ST1	General Tools (small size)	4" Side cutting pliers 5" Long nose pliers Phillips screwdriver#0X125mm/#0X150mm Flat head screwdriver 3X125mm/3X150mm Simple kit
SB-ST2	General Tools (big size)	7" linesman pliers 8" Adjustable Wrench Flat head screwdriver 6.5x100mm Phillips screwdriver#2x100mm Tape Measure 3m length 18mm Utility Knife Voltage Tester Screwdriver (flat head ) Tool bag

# Zolix Instruments Co., Ltd.

Address: NO. 68B, LDUV, Tongzhou District, Beijing, China, 101102

TEL: +86 10 5637 0168    Email: [info@zolix.com.cn](mailto:info@zolix.com.cn)    Website: [www.zolix-group.com](http://www.zolix-group.com)