

# Deep-UV single frequency laser

## Frequad-HP CW266 nm



- High power
- High stability
- Low noise
- Long life
- Excellent beam quality

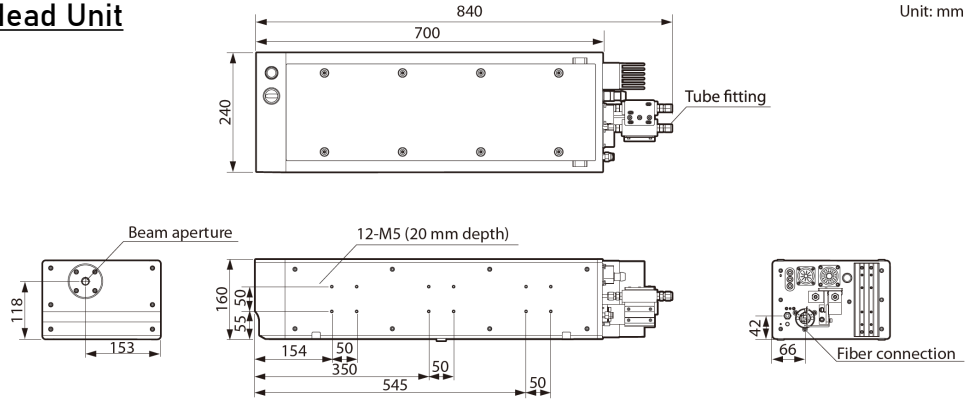
### Application

- Semiconductor wafer inspection
- Lithography photomask and reticle inspection
- Photomask direct writing
- Photomask inspection
- FBG writing

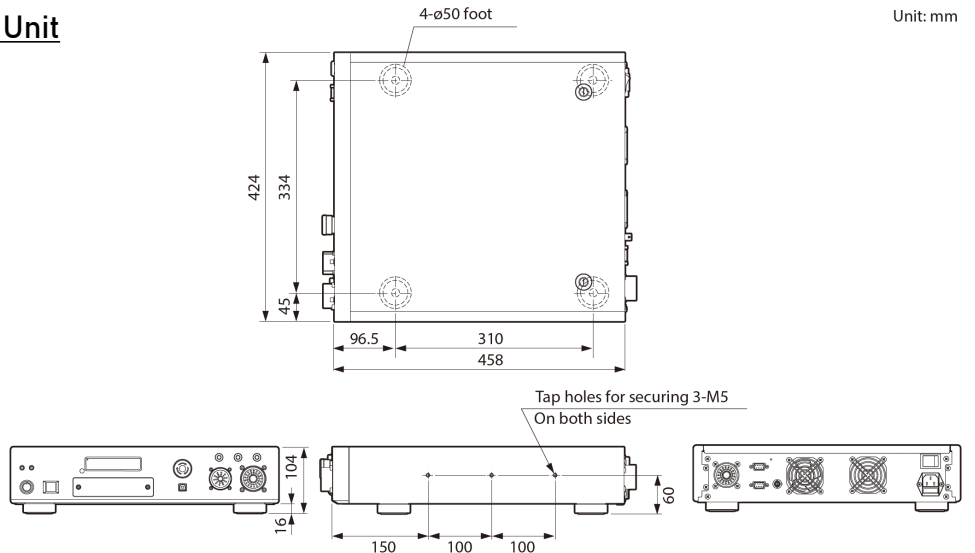
Wavelength	266 nm
Output power	1W, 2W
Linewidth	< 0.005 pm
Extinction ratio	> 100 : 1
Beam quality	TEM <sub>00</sub> , M <sup>2</sup> < 1.2
Polarization	Vertical, Linear
Power supply	AC 100-240 V, 50/60 Hz
Power consumption	< 300 W
Cooling	Air
Dimensions (Head)	240 x 840 x 160 mm

# Frequad-HP Dimensions

## Laser Head Unit



## Control Unit



## Fiber Laser Unit

